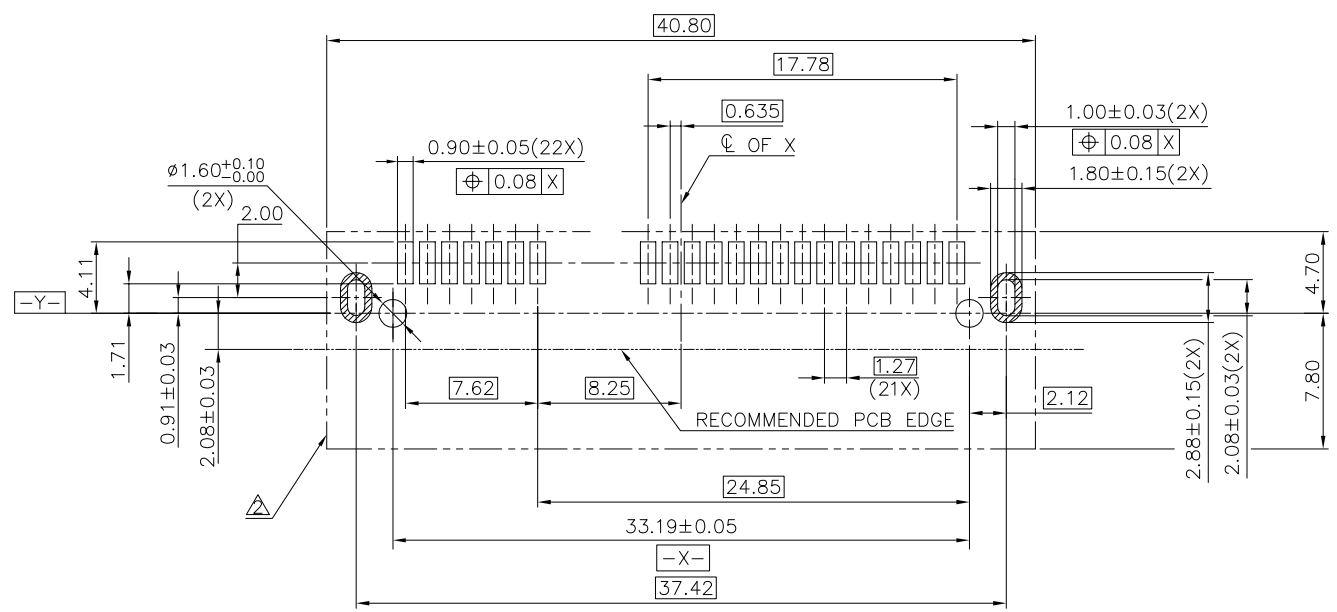


SECTION A-A
SCALE 3:1



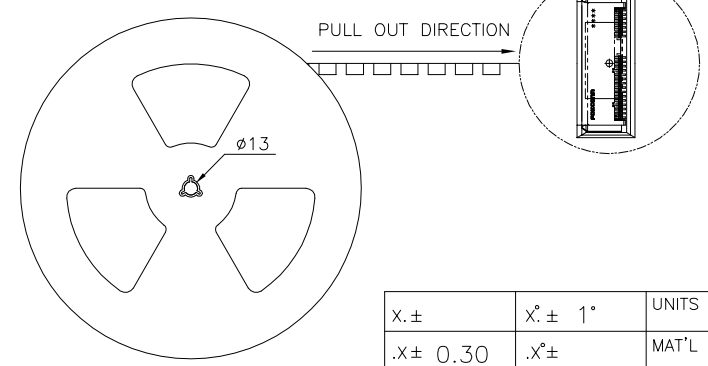
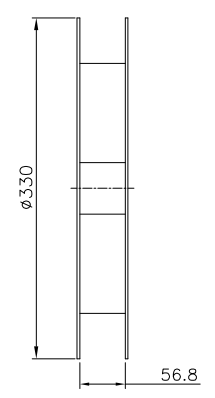
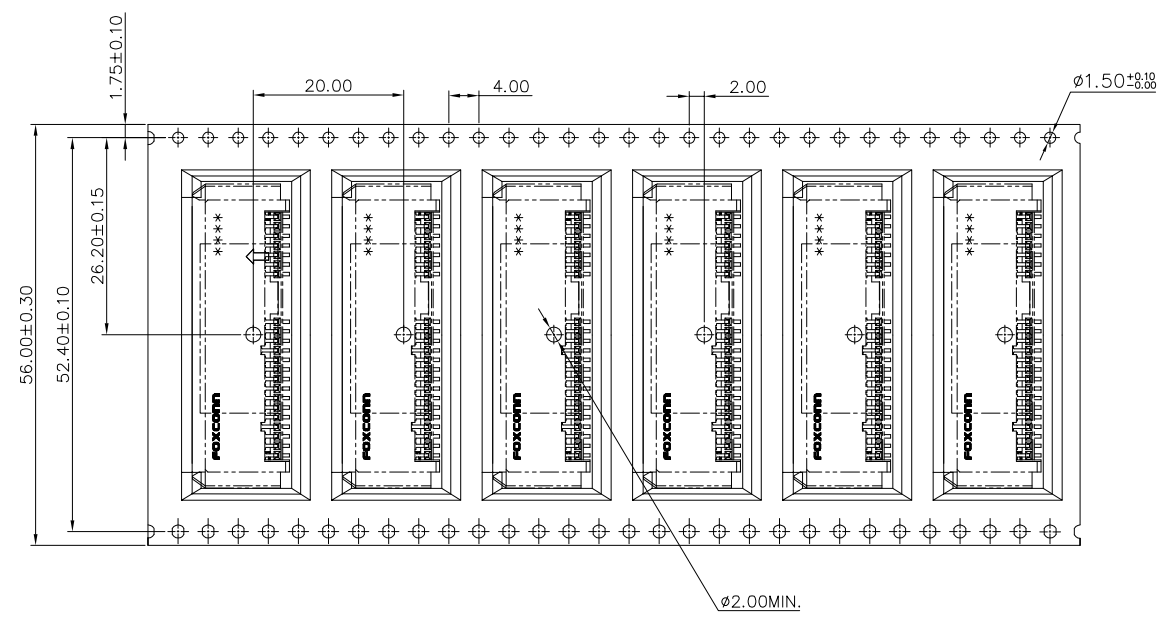
RECOMMENDED P.C.B. LAYOUT

NOTES:
1. RECOMMENDED P.C.B THICKNESS: 1.65±0.05.
△ CONNECTOR PROFILE, ALL THE TRACE SHOULD BE AVOIDED THIS AREA.

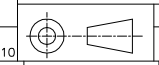
X.±	X*± 1°	UNITS mm	NAME (INTENDED USE)	FOXCONN HON HAI PRECISION IND. CO., LTD. TAIPEI, TAIWAN, R.O.C.
.x± 0.30	.x±	MAT'L	SERIAL ATA	
.xx± 0.20	.xx±		PART NO. (INTENDED USE)	TITLE: CUSTOMER DRAWING
.xxx± 0.15	.xxx±	FINISH	LD2122*-SOPL6H	RECEPTACLE, 22 POS, R/A, SMT
THESE DRAWINGS AND SPECIFICATIONS ARE THE PROPERTY OF HON HAI PRECISION IND. CO., LTD. AND SHALL NOT BE REPRODUCED, COPIED OR USED IN ANY MANNER WITHOUT THE PRIOR WRITTEN CONSENT OF HON HAI PRECISION IND. CO., LTD.			APPD: Yihsin Chen	DWG NO.: 303-0000-2695
			CHKD: Wolfe liu	
			DR: Hongwei Zheng, 9/11/22/16	
			SCALE	SHEET
			N/A	2/3
			REV.	B

REV.	ECN. NO.	APPD.

PULL OUT DIRECTION →



x.±	x° ± 1°	UNITS mm	NAME(INTENDED USE)	FOXCONN	
.x± 0.30	.x°±	MAT'L	SERIAL ATA	HON HAI PRECISION IND. CO.,LTD. TAIPEI, TAIWAN, R.O.C.	
.xx± 0.20	.xx°±	FINISH	PART NO.(INTENDED USE)	TITLE: CUSTOMER DRAWING	
.xxx± 0.15	.xxx°±		LD2122*-S0PL6H	RECEPTACLE,22 POS,R/A,SMT	
THESE DRAWINGS AND SPECIFICATIONS ARE THE PROPERTY OF HON HAI PRECISION IND. CO., LTD. AND SHALL NOT BE REPRODUCED, COPIED OR USED IN ANY MANNER WITHOUT THE PRIOR WRITTEN CONSENT OF HON HAI PRECISION IND. CO., LTD.			APPD: Yihsin Chen	DWG NO.:	
			CHKD: Wolfe Liu	303-0000-2695	
			DR: Hongwei Zheng		
			SCALE	SHEET	REV.
			N/A	3/3	B



11/22'10

SPECIFICATIONS :

1. MATERIAL AND FINISH :

1-1. HARMFUL MATERIAL CONTROL PLEASE FOLLOW DOC. NO. "EPI12".

1-2. HOUSING :

HIGH TEMP. THERMOPLASTIC, UL94V-0, COLOR BLACK.

1-3. CONTACT :

COPPER ALLOY, NICKEL PLATING OVER ALL, THICKNESS 50u" MIN.,
MATTE TIN PLATING OVER NICKEL, ON SOLDER AREA, THICKNESS 100u"MIN.,
GOLD PLATING OVER NICKEL ON CONTACT AREA.

1-4. CAP :

HIGH TEMP. THERMOPLASTIC, UL94V-0, COLOR BLACK.

1-5. BOARD LOCK:

COPPER ALLOY, NICKEL PLATING OVER ALL, THICKNESS 50u" MIN.,
MATTE-TIN PLATING OVER ALL, THICKNESS 100u"MIN..

1-6. SPACER :

HIGH TEMP. THERMOPLASTIC, UL94V-0, COLOR BLACK.

2. ELECTRICAL :

2-1. LOW LEVEL CONTACT RESISTANCE (DRY CIRCUIT) :

EIA-364-23, 30 MILLIOHMS MAX. INITIAL.

2-2. DIELECTRIC WITHSTANDING VOLTAGE :

EIA-364-20, METHOD B, 500 VAC. AT SEA LEVEL.

2-3. INSULATION RESISTANCE : EIA-364-21, 1000 MEGAOHMS MIN..

2-4. CURRENT RATING (POWER SEGMENT) : 1.5 Amps MAX. PER PIN.

3. MECHANICAL :

3-1. INSERTION FORCE: EIA-364-13, 20N MAX..

3-2. WITHDRAWAL FORCE: EIA-364-13, 4N MIN..

3-3. DURABILITY : EIA-364-09, 50 CYCLES.

4. ENVIRONMENTAL :

4-1. PHYSICAL SHOCK : EIA-364-27, CONDITION H.

4-2. VIBRATION : EIA-364-28, CONDITION V TEST LETTER A.

4-3. HUMIDITY : EIA-364-31, METHOD II TEST CONDITION A.

4-4. TEMPERATURE LIFE : EIA-364-17, TEST CONDITION III, METHOD A.

4-5. MIXED FLOWING GAS : EIA-364-65, CLASS 2A.

4-6. OPERATING TEMPERATURE : -55°C TO +85°C.

5. PLEASE CONTACT FOXCONN SALES REPRESENTATIVE TO VERIFY PRODUCT DETAILS & AVAILABILITY.

6. THE CONCENTRATIONS OF Br&Cl CAN SATISFY THE REQUIREMENTS OF HALOGEN-FREE IN DOCUMENT EPI12.

FOXCONN HON HAI PRECISION IND. CO.,LTD.
TAIPEI, TAIWAN, R.O.C.

APPD. : Yihsin Chen	TITLE : SPECIFICATION, SLIMLINE SATA , 13 PINS, R/A, SMT
CHKD. : Wolfe Liu	PROD. SERIES : LD2122*-S0PL6H
DR. : Hongwei Zheng	DWG. NO : 303-0300-2695
11/22'10	REV. : B SHEET : 1/1

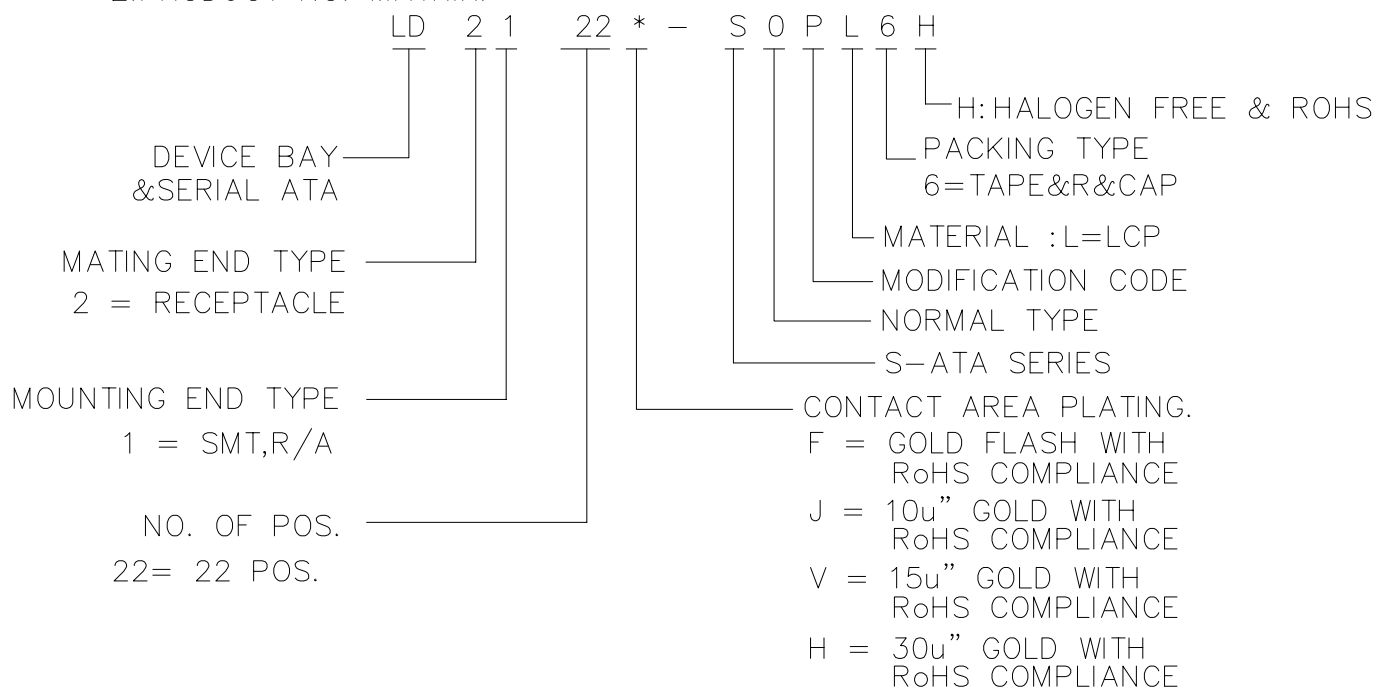
B	BC-10-0138608	Yihsin Chen
A	BC-10-0081476	Yihsin Chen
REV.	ECN. NO.	APPD.

ITEM	DESC.	Q'TY	MATERIAL	TREATMENT	REMARK
1	HOUSING	1	HIGH TEMP. THERMO-PLASTIC,UL 94V-0	MOLDED BLACK	
2	CAP	1	HIGH TEMP. THERMO-PLASTIC,UL 94V-0	MOLDED BLACK	
3	SPACER	1	HIGH TEMP. THERMO-PLASTIC,UL 94V-0	MOLDED BLACK	
4	CONTACT	22	COPPER ALLOY	A) NICKEL PLATING OVER ALL THICKNESS : 50 u" MIN. B) MATTE-TIN PLATING OVER NICKEL.THICKNESS : 100 u" MIN ON SOLDER AREA C) GOLD PLATING OVER NICKEL. ON CONTACT AREA	
5	BOARD LOCK	2	COPPER ALLOY	A) NICKEL PLATING OVER ALL THICKNESS : 50u"MIN. B) MATTE-TIN PLATING OVER NICKEL. THICKNESS : 100u"MIN ON SOLDER AREA	

NOTE :

1.HARMFUL MATERIAL CONTROL PLAESE FOLLOW DOC NO."EPI12"

2.PRODUCT NO. MATRIX:



3. PLEASE CONTACT FOXCONN SALES REPRESENTATIVE TO VERIFY PRODUCT DETAILS&AVAILABILITY.

FOXCONN HON HAI PRECISION IND. CO.,LTD.
TAIPEI, TAIWAN, R.O.C.

APPD. : Yihsin Chen	TITLE : MATERIAL SHEET R/A, SMT,RECEPTACLE,NORMAL TYPE
CHKD. : Wolfe Liu	PROD. SERIES:LD2122*-S0PL6H
DR. : Hongwei Zheng 7/28'10	DWG. NO : 303-0500-2695
	REV. : A SHEET : 1/1

A	BC-10-0081483	Yihsin Chen
REV.	ECN NO	APPD.

X-ON Electronics

Largest Supplier of Electrical and Electronic Components

Click to view similar products for [Foxconn](#) manufacturer:

Other Similar products are found below :

[2E0BC21-S64BM-7H](#) [2E0BC21-S85BM-7H](#) [2EF5497-DA9D0-8H](#) [2EF5497-DA9DB-8H](#) [2EF5B57-DA9DN-5F](#) [2EG04927-D2DB-DF](#)
[2EG04927-D2D-DF](#) [2EG04927-D2LN-DF](#) [2EG08217-D2D-DF](#) [2EG14917-D2D8-4F](#) [2EG24927-D5D1-JF](#) [2EG28213-D5D-4F](#) [2EM5407-](#)
[B19BL-8F](#) [2EZ00161-PH2-4F](#) [3H993321-4M41-01H](#) [3S000000-3L-4F](#) [3S1020F3-AD4-4F](#) [3S103823-01-7F](#) [3VD21203-H7U0-4H](#)
[3VM11201-D730-7H](#) [AH58897-T2B20-3F](#) [AS0A621-H2R6-7H](#) [AS0A621-H2S6-7H](#) [AS0A621-H8RN-7H](#) [AS0A621-H8SN-7H](#) [AS0A621-](#)
[HARN-7H](#) [AS0A621-HASN-7H](#) [AS0A626-HASN-7H](#) [AS0A626-J4R6-7H](#) [AS0A821-H2RB-7H](#) [AS0A821-H2SB-7H](#) [AS0A826-H2RB-7H](#)
[AS0A826-H2SB-7H](#) [AS0B221-S52Q-7H](#) [AS0B221-S68Q-7H](#) [AS0B221-S90Q-7H](#) [AS0B226-S99Q-7H](#) [AS0B821-S55B-7H](#) [AS0B826-S78B-](#)
[7H](#) [AS0BC21-S30BA-7H](#) [AS0BC21-S30BB-7H](#) [AS0BC21-S30BE-7H](#) [AS0BC21-S30BM-7H](#) [AS0BC21-S40BB-7H](#) [AS0BC21-S40BE-7H](#)
[AS0BC21-S48BE-7H](#) [ASAA821-EARB0-7H](#) [ASAA821-H4SB5-7H](#) [ASAA826-E8SB0-7H](#) [ASOB226-S52Q-7H](#)