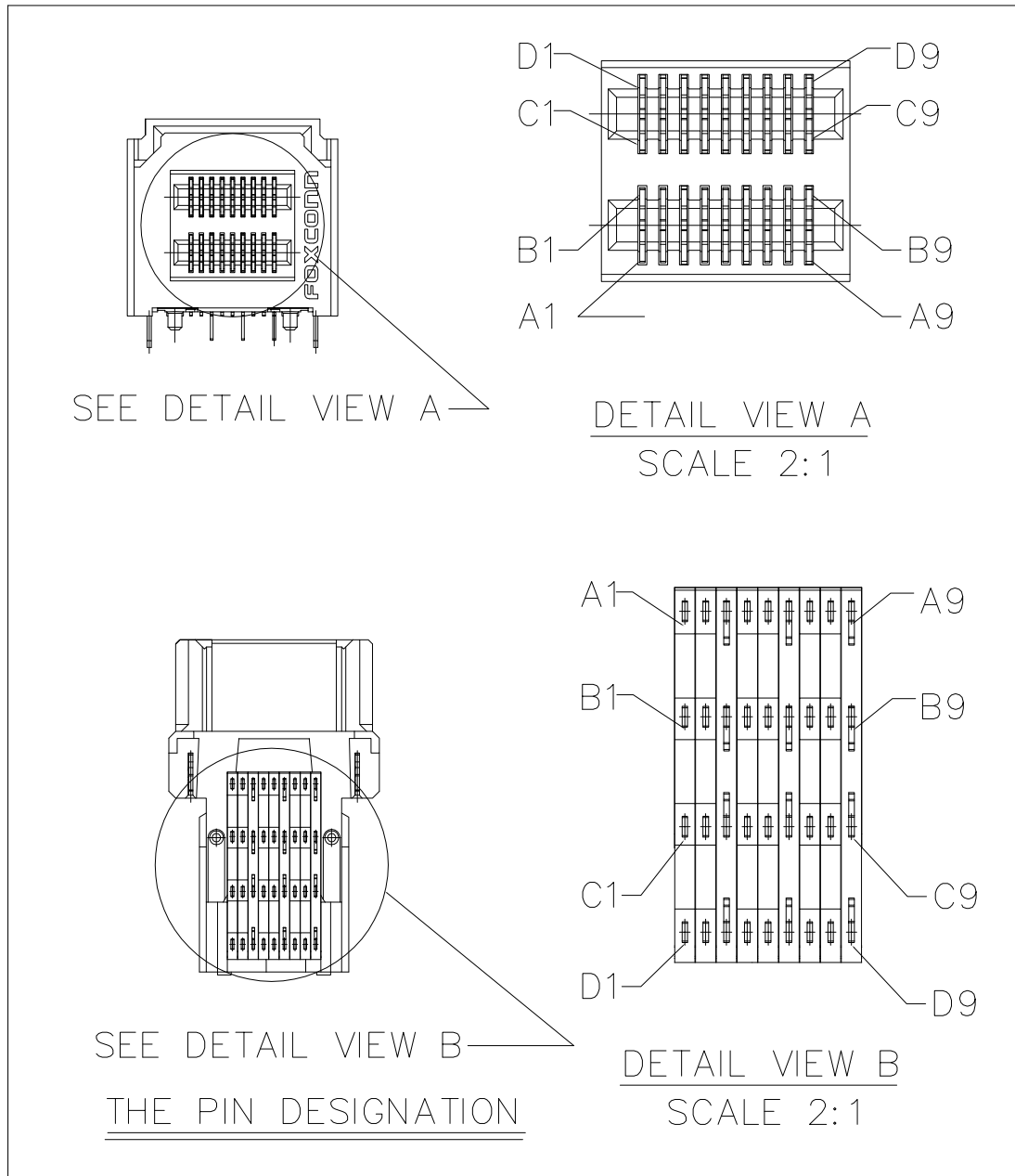
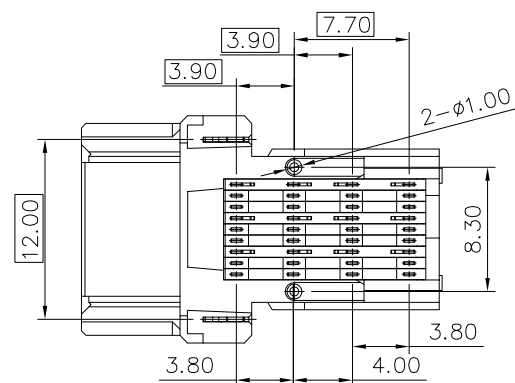
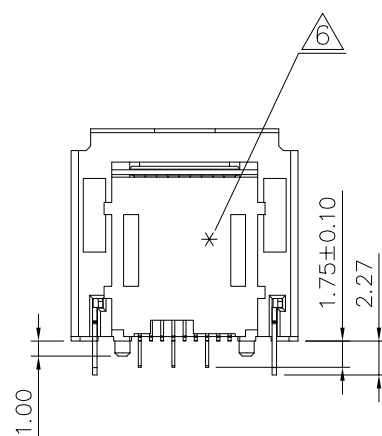
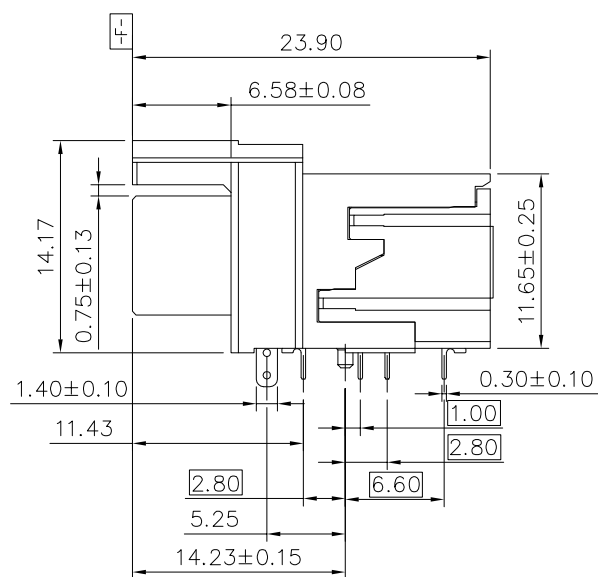
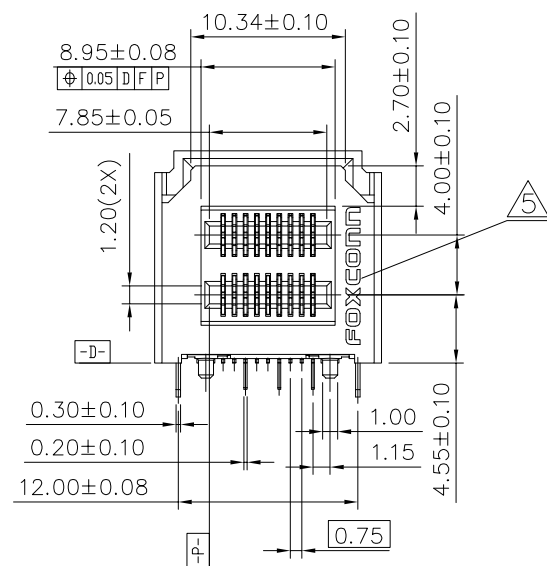
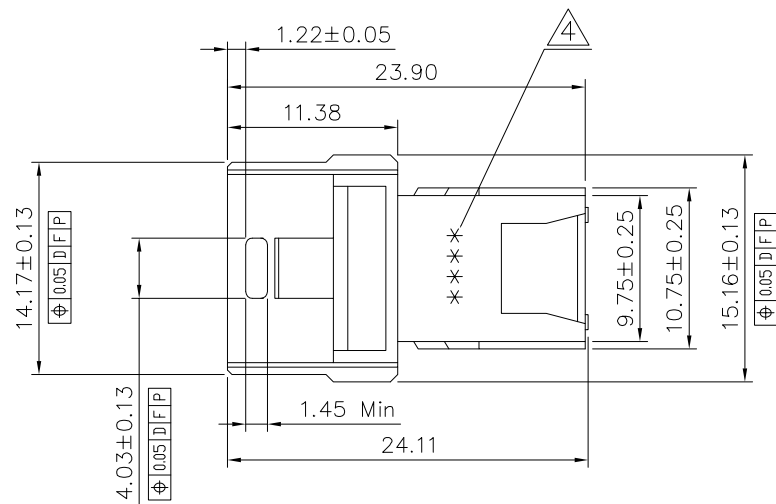


REV.	ECN No.	APPD.
A	BC-16-0022248	Shih-wei Hsiao



SEE DETAIL VIEW A

DETAIL VIEW A
SCALE 2:1

SEE DETAIL VIEW B
THE PIN DESIGNATION

DETAIL VIEW B
SCALE 2:1

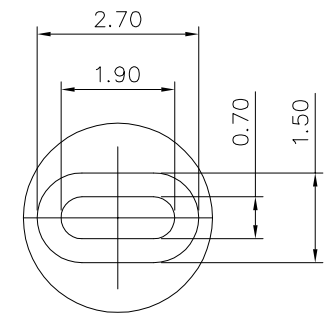
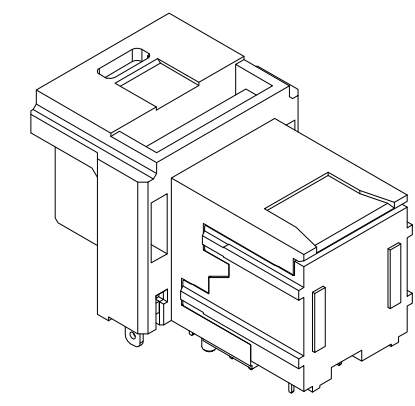
P/N: LDH236*-33N2*-4H

X.±	X'.±	UNITS mm	NAME(INTENDED USE) MINI SAS HD	FOXCONN® FOXCONN INTERCONNECT TECHNOLOGY LIMITED. CLASS: <input type="checkbox"/> CONFIDENTIAL <input type="checkbox"/> SECRET <input checked="" type="checkbox"/> GENERAL						
.X± 0.20	.X'±	MAT'L	PART NO.(INTENDED USE) LDH236*-33N2*-4H							
.XX± 0.15	.XX'±	FINISH	APPD: Shih-wei Hsiao	TITLE: CUSTOMER DRAWING						
.XXX±	.XXX'±		Q'TY	CHKD: Yen-chih Chang	DWG NO.: 303-0000-3255					
THESE DRAWINGS AND SPECIFICATIONS ARE THE PROPERTY OF FOXCONN INTERCONNECT TECHNOLOGY LIMITED. AND SHALL NOT BE REPRODUCED, COPIED OR USED IN ANY MANNER WITHOUT THE PRIOR WRITTEN CONSENT OF FOXCONN INTERCONNECT TECHNOLOGY LIMITED.			DRAW: Xin Li 06/06'16	<table border="1"> <tr> <td>SCALE</td> <td>SHEET</td> <td>REV.</td> </tr> <tr> <td>N/A</td> <td>1/3</td> <td>A</td> </tr> </table>	SCALE	SHEET	REV.	N/A	1/3	A
SCALE	SHEET	REV.								
N/A	1/3	A								

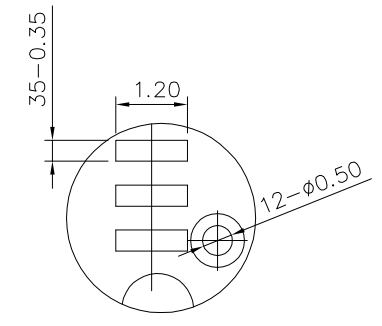
REV.	ECN No.	APPD.

NOTES: UNLESS OTHERWISE SPECIFIED

- DIMENSIONS SHALL BE INTERPRETED PER ASME Y14.5-2009.
- SPECIFICATIONS ARE SHOWN ON DRAWING "303-0300-2910".
- MATERIALS:
HOUSING: HIGH TEMPERATURE THERMOPLASTIC(LCP), UL94V-0, COLOR: BLACK.
CONTACTS: COPPER ALLOY.
- DATE CODE: "****" REFER TO FOXCONN'S DOC. "SQ-3B0-070".
- THE "foxconn" LOGO IS LOCATED APPROX. AS SHOWN.
- " * " BEHIND CAP CAVITY NO.
- MOUNTING HARDWARE: M2 X 0.4 SELF-THREADING SCREW,
MOUNTING SCREW LENGTH: PCB THICKNESS+2.5mm MAX.
- PLEASE CONTACT FOXCONN SALES REPRESENTATIVE TO VERIFY
PRODUCT DETAILS & AVAILABILITY.
- HARMFUL MATERIAL CONTROL PLEASE FOLLOW FOXCONN'S DOC. "EPI12".
- THE CONCENTRATIONS OF Br&Cl CAN SATISFY THE REQUIREMENT
OF HALOGEN-FREE IN DOCUMENT "EPI12".
- MOUNTING HARDWARE: M2 X 0.4 SELF-THREADING SCREW.
MOUNTING SCREW LENGTH: PCB THICKNESS + 2.5mm MAX.
- PRODUCT NO. MATRIX:



DETAIL D
SCALE 4:1



DETAIL C
SCALE 4:1

PRODUCT Family: LD * * * * - * * * * - * *
SAS Connector

Product Series:
H: Mini SAS HD Connector

Mating End:
1. Plug
2. Receptacle
3. Adapter

No. of Pos:
36: 36Pos
72: 72Pos
E4: 144Pos

Plating Code:
1: Gold Flash
3: 30U" Gold Plating
6: 10U" Gold Plating
7: 15U" Gold Plating
Y: 5~10U" Gold Plating

Mounting End Type:
0: None
1: SMT R/A
3: Hybrid
4: Press Fit R/A
5: SMT Vertical
6: Press Fit Vertical
7: T/H, R/A
8: T/H, Vertical
9: Retention-Fit

Lead Free Code:
F: Lead Free
H: Halogen Free & Lead Free

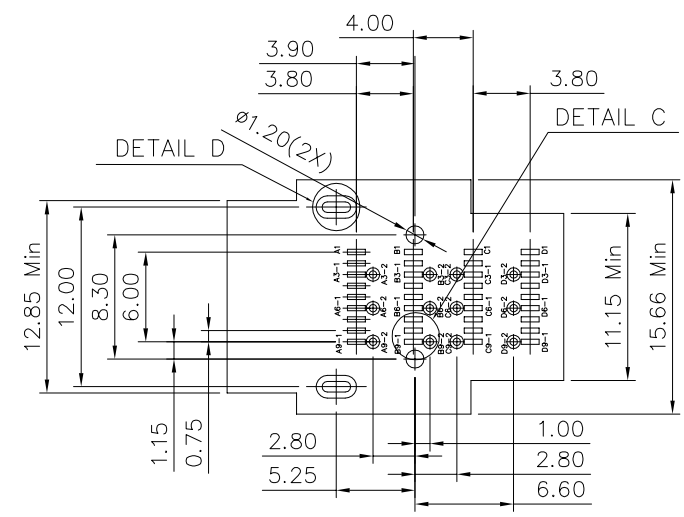
Package Code:
4: Soft Tray
6: Soft Tray Cap
7: Tape & Reel
9: Tape & Reel Cap

Extension Code: 0~9
0: FOR PCI-e SAS.
1: FOR SAS3.0.

Cage & Cover Type:
1: Without EMI Cage, Without Dust Cover
2: With EMI Cage, Without Dust Cover and Heat Sink
3: With EMI Cage, With Cover and Heat Sink
4: With EMI Cage and Dust Cover, Without Heat Sink
5: With EMI Cage and Heat Sink, Without Dust Cover
6: Without EMI Cage, With Dust Cover and 1 Wall
7: Without EMI Cage, With Dust Cover and 2 Wall
8: Without EMI Cage, With Dust Cover and 4 Wall

Applications:
N: Internal

Transmission Speed:
3: 12Gb/s
4: 24Gb/s

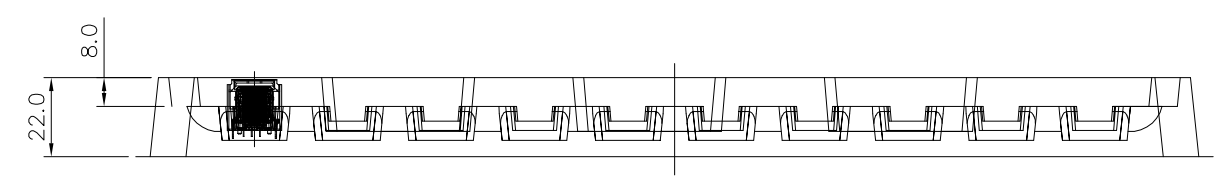
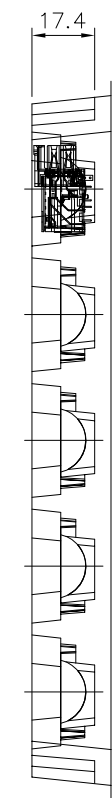
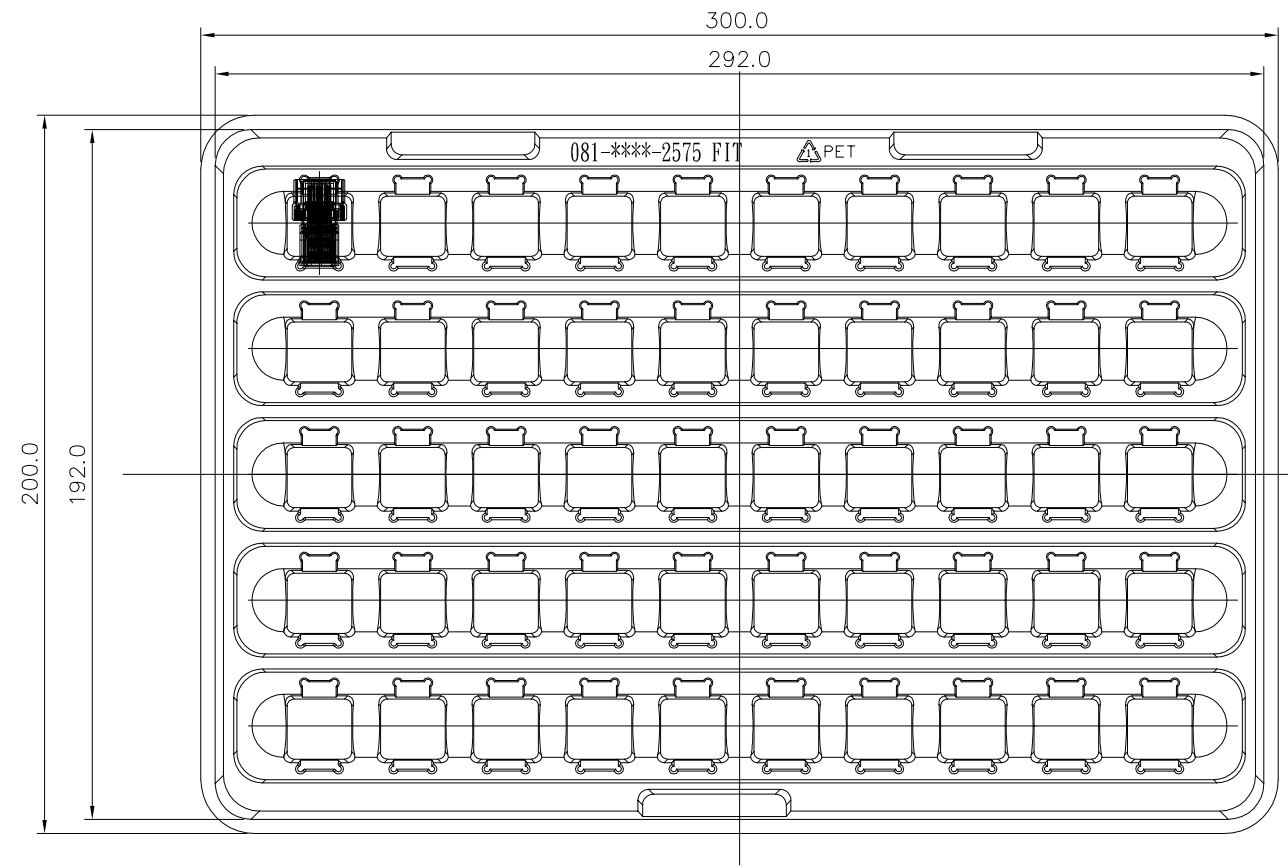


RECOMMENDED PCB LAYOUT
(TOLERANCE=±0.05mm, RECOMMENDED
STENCIL THICKNESS 0.12MM)

D1	D2	D3-1	D3-2	D4	D5	D6-1	D6-2	D7	D8	D9-1	D9-2
SB5	SB6	GND	GND	Tx0+	Tx0-	GND	GND	Tx2+	Tx2-	GND	GND
SB4	SB2	GND	GND	Tx1+	Tx1-	GND	GND	Tx3+	Tx3-	GND	GND
C1	C2	C3-1	C3-2	C4	C5	C6-1	C6-2	C7	C8	C9-1	C9-2
B1	B2	B3-1	B3-2	B4	B5	B6-1	B6-2	B7	B8	B9-1	B9-2
SB3	SB1	GND	GND	Rx0+	Rx0-	GND	GND	Rx2+	Rx2-	GND	GND
SB7	SB0	GND	GND	Rx1+	Rx1-	GND	GND	Rx3+	Rx3-	GND	GND
A1	A2	A3-1	A3-2	A4	A5	A6-1	A6-2	A7	A8	A9-1	A9-2

X.±	X.±	UNITS	mm	NAME (INTENDED USE)	FOXCONN® FOXCONN INTERCONNECT TECHNOLOGY LIMITED.
.X± 0.20	.X'±	MAT'L		MINI SAS HD	
.XX± 0.15	.XX'±			PART NO. (INTENDED USE)	CLASS: <input type="checkbox"/> CONFIDENTIAL <input type="checkbox"/> SECRET <input checked="" type="checkbox"/> GENERAL
.XXX±	.XXX'±	FINISH		LDH236*-33N2*-4H	TITLE: CUSTOMER DRAWING
THESE DRAWINGS AND SPECIFICATIONS ARE THE PROPERTY OF FOXCONN INTERCONNECT TECHNOLOGY LIMITED. AND SHALL NOT BE REPRODUCED, COPIED OR USED IN ANY MANNER WITHOUT THE PRIOR WRITTEN CONSENT OF FOXCONN INTERCONNECT TECHNOLOGY LIMITED.				APPD: Shih-wei Hsiao	DWG NO.: 303-0000-3255
				CHKD: Yen-chih Chang	SCALE SHEET REV. N/A 2/3 A
				DRAW: Xin Li 06/06'16	

7	8
REV.	ECN No. APPD.



SOFT TRAY PACKING: LDH236*-33N2*-4H

X.±	X.±	UNITS mm	NAME(INTENDED USE)	FOXCONN® FOXCONN INTERCONNECT TECHNOLOGY LIMITED. CLASS: <input type="checkbox"/> CONFIDENTIAL <input type="checkbox"/> SECRET <input checked="" type="checkbox"/> GENERAL TITLE: CUSTOMER DRAWING DWG NO.: 303-0000-3255
.X± 0.20	.X'±	MAT'L	MINI SAS HD	
.XX± 0.15	.XX'±	FINISH	PART NO.(INTENDED USE)	SCALE SHEET REV. N/A 3/3 A
.XXX±	.XXX'±		LDH236*-33N2*-4H	
THESE DRAWINGS AND SPECIFICATIONS ARE THE PROPERTY OF FOXCONN INTERCONNECT TECHNOLOGY LIMITED. AND SHALL NOT BE REPRODUCED, COPIED OR USED IN ANY MANNER WITHOUT THE PRIOR WRITTEN CONSENT OF FOXCONN INTERCONNECT TECHNOLOGY LIMITED.			APPD: Shih-wei Hsiao	
			Q'TY	
			CHKD: Yen-chih Chang	
			DRAW: Xin Li 06/06'16	

X-ON Electronics

Largest Supplier of Electrical and Electronic Components

Click to view similar products for [Headers & Wire Housings](#) category:

Click to view products by [Foxconn](#) manufacturer:

Other Similar products are found below :

[0015917161](#) [0022155065](#) [57102-F02-18ULF](#) [58102-G61-06LF](#) [582553-1](#) [01.001.5753.1](#) [0050291907](#) [02.125.8002.8](#) [609-3404](#) [61062-3](#)
[CSU011177004](#) [622-0430](#) [622-3653LF](#) [63453-116](#) [636-1030](#) [636-1427](#) [636-3427](#) [636-4007](#) [641938-9](#) [65495-038](#) [65692-001LF](#) [65781-018](#)
[65781-047](#) [65817-010LF](#) [65817-015LF](#) [67095-007LF](#) [67601157](#) [68631-112](#) [68645-018](#) [699319-000](#) [70.362.1628.0](#) [70-4210](#) [70-4226B](#) [70-](#)
[4853B](#) [71.350.2428.0](#) [733-134](#) [733-162](#) [MHR-64-VUAL](#) [80.063.4001.1](#) [800-90-001-10-001000](#) [801-43-002-10-013000](#) [801-43-006-10-](#)
[002000](#) [803-43-024-10-001000](#) [803-93-012-10-001000](#) [8-1437020-4](#) [819-22-004-30-001101](#) [820-22-006-30-001101](#) [820-22-008-30-001101](#)
[821-22-002-10-001101](#) [821-22-003-10-002101](#)