

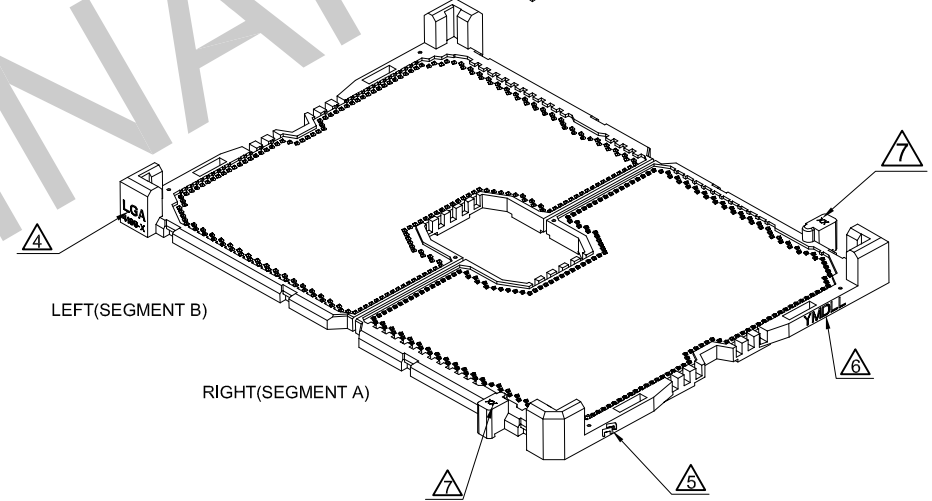
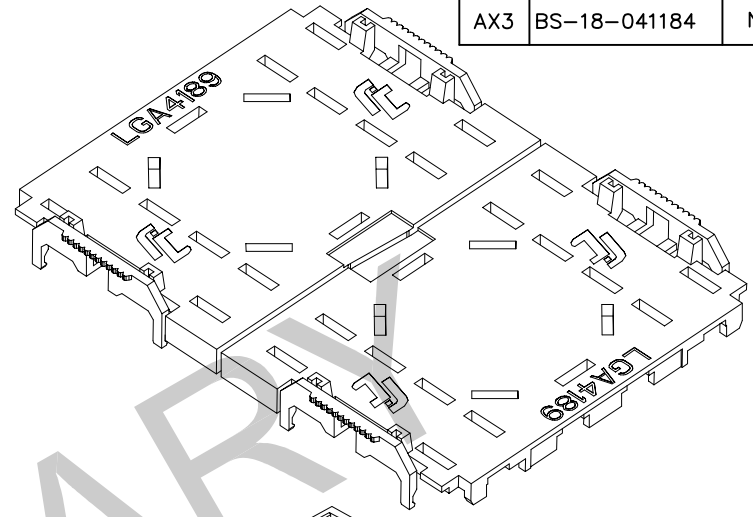
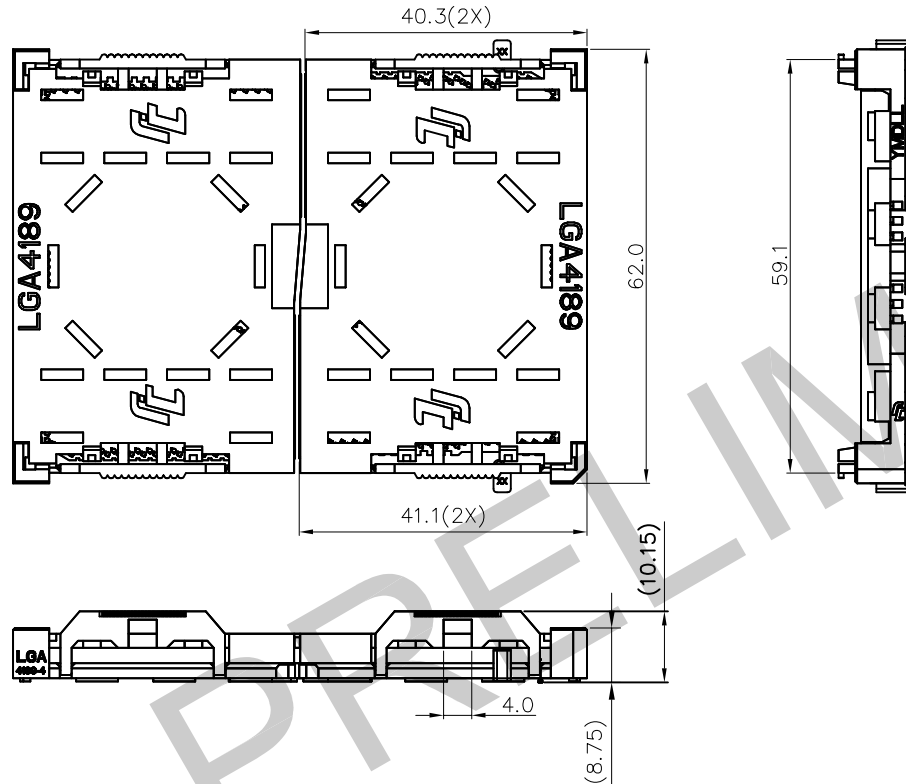
- ALL DIMENSIONS ARE IN MILLIMETERS.
- DIMENSIONING AND TOLERANCING PER ASME Y14.5M-1994.

3. MATERIAL:


HOUSING: LCP,UL94V-0,COLOR BLACK.
 CAP: LCP,UL94V-0,COLOR BLACK.
 CONTACT: COPPER ALLOY.
 CONTACT PLATING: Au PLATED ON CONTACT AREA AFTER NI PLATED OVER ALL.
 SOLDER BALL: LEAD FREE 0.60MM DIAMETER.

- SOCKET NAME LGA4189-X TO BE INDICATED IN THIS AREA.
- FIT LOGO IS LOCATED APPROXIMATELY.
- DATECODE IS LOCATED APPROXIMATELY.
- SOCKET NAME "P4" OR "P5" TO BE INDICATED IN THIS AREA.
- HARMFUL MATERIAL CONTROL PLEASE FOLLOW DOC. NO. "EPI12".
- THE CONCENTRATIONS OF Br AND Cl CAN SATISFY THE REQUIREMENT OF HALOGEN-FREE IN DOCUMENT "EPI12".
- PLEASE CONTACT FIT SALES REPRESENTATIVE TO VERIFY PRODUCT DETAIL & AVAILABILITY.

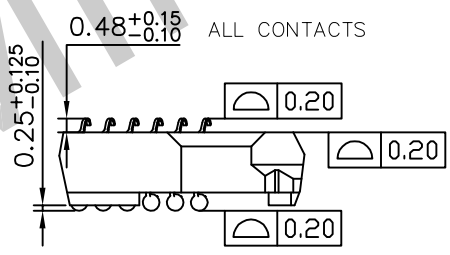
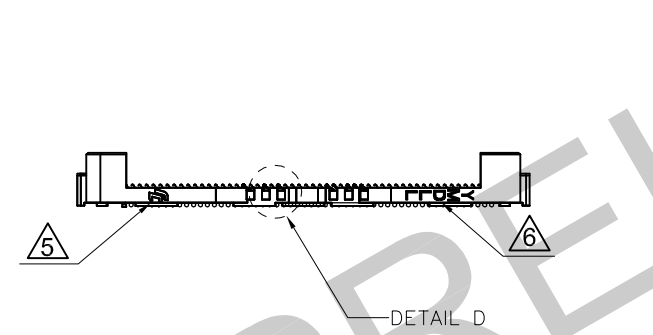
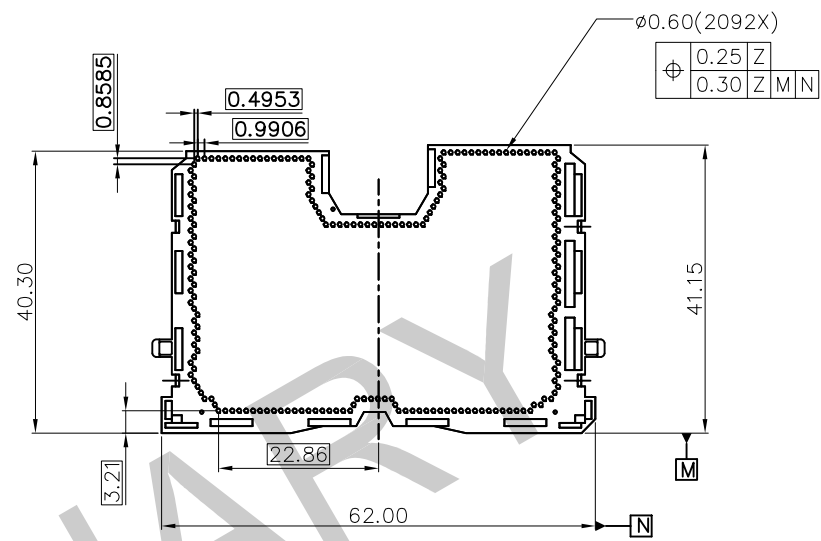
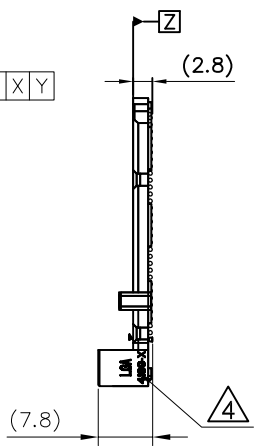
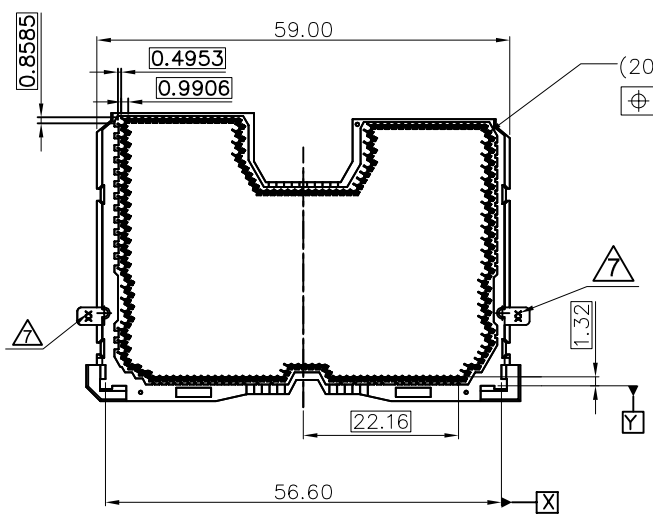
REV.	ECN. NO.	APPD.
A	BC-17-0036903	Nick Lin
AX3	BS-18-041184	Nick Lin



SOCKET P5	PE41893-11NK3-1H	PE41893-11NK4-1H	30u" Au
	PE41897-11NK3-1H	PE41897-11NK4-1H	15u" Au
SOCKET P4	PE41893-01NK3-1H	PE41893-01NK4-1H	30u" Au
	PE41897-01NK3-1H	PE41897-01NK4-1H	15u" Au
DESCRIPTION	SEGMENT A	SEGMENT B	PLATING

X.± 3	X.± 1'	UNITS	NAME(INTENDED USE)	 FOXCONN INTERCONNECT TECHNOLOGY LIMITED.		
.X± 0.25	.X'±	mm	LGA4189 SOCKET			
.XX± 0.10	.XX'±	MAT'L	PART NO.(INTENDED USE)	CLASS: <input type="checkbox"/> CONFIDENTIAL <input type="checkbox"/> SECRET <input checked="" type="checkbox"/> GENERAL		
.XXX± 0.10	.XXXX± 0.05	FINISH	APPD: Nick Lin			
THESE DRAWINGS AND SPECIFICATIONS ARE THE PROPERTY OF FOXCONN INTERCONNECT TECHNOLOGY LIMITED AND SHALL NOT BE REPRODUCED, COPIED OR USED IN ANY MANNER WITHOUT THE PRIOR WRITTEN CONSENT OF FOXCONN INTERCONNECT TECHNOLOGY LIMITED.		Q'TY	CHKD: Dickie Huang Mac Peng	TITLE: CUSTOMER DRAWING FOR LGA4189 SOCKET		
			DRAW: Gohan Wu 10/24'18	DWG NO.: 351-0000-1462		
				SCALE	SHEET	REV.
				1:1	1/6	AX3

REV.	ECN. NO.	APPD.

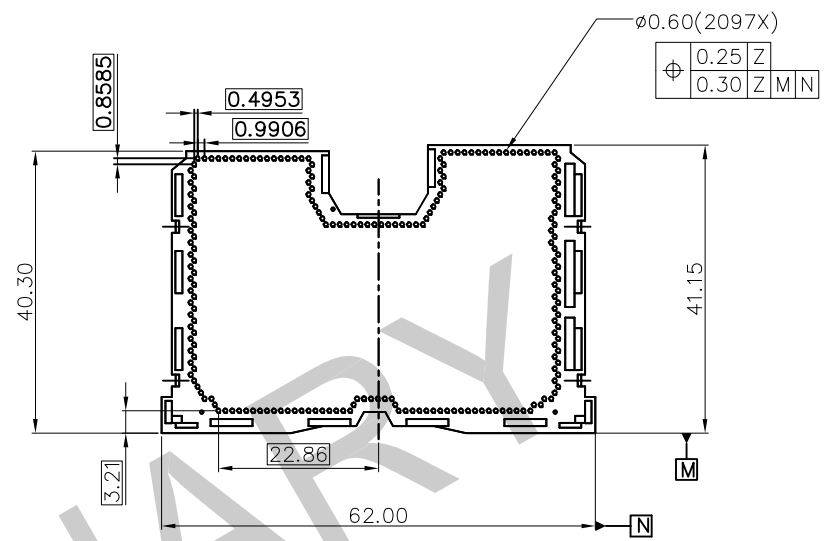
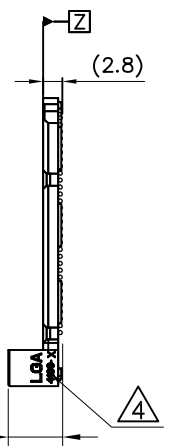
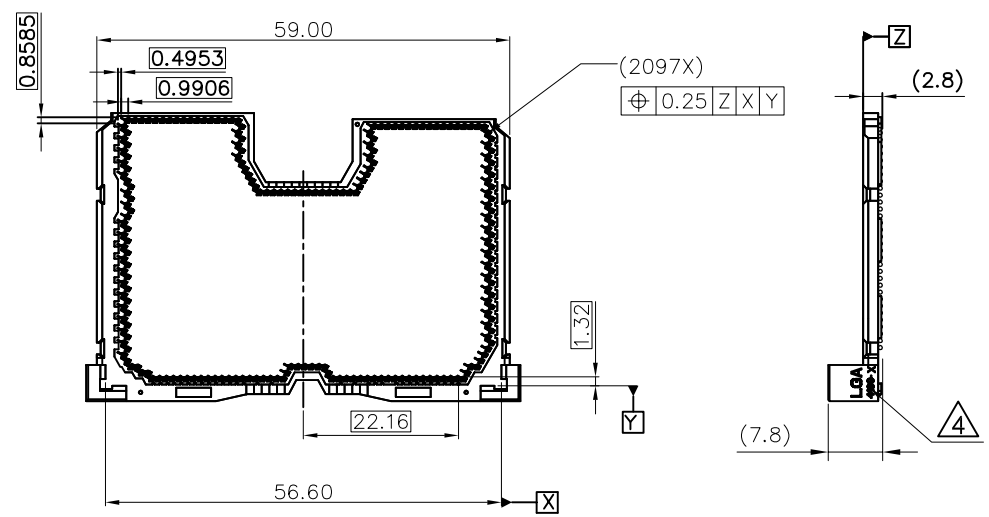


DETAIL D
SCALE 4:1

P5 SEGMENT A	PE41893-11NK3-1H	30u" Au
	PE41897-11NK3-1H	15u" Au
P4 SEGMENT A	PE41893-01NK3-1H	30u" Au
	PE41897-01NK3-1H	15u" Au
DESCRIPTION	PART NAME	PLATING

X.± 3	X.± 1'	UNITS	NAME(INTENDED USE)	 FOXCONN INTERCONNECT TECHNOLOGY LIMITED.		
		mm	LGA4189 SOCKET			
.X± 0.25	.X'±	MAT'L	PART NO.(INTENDED USE)	CLASS:		
.XX± 0.10	.XX'±		PE4189*-*****-1H	<input type="checkbox"/> CONFIDENTIAL <input type="checkbox"/> SECRET <input checked="" type="checkbox"/> GENERAL		
.XXX± 0.10	.XXXX± 0.05	FINISH	APPD:	TITLE: CUSTOMER DRAWING FOR LGA4189 SOCKET		
THESE DRAWINGS AND SPECIFICATIONS ARE THE PROPERTY OF FOXCONN INTERCONNECT TECHNOLOGY LIMITED AND SHALL NOT BE REPRODUCED, COPIED OR USED IN ANY MANNER WITHOUT THE PRIOR WRITTEN CONSENT OF FOXCONN INTERCONNECT TECHNOLOGY LIMITED.			Nick Lin	DWG NO.: 351-0000-1462		
			Dickie Huang	SCALE	SHEET	REV.
			Mac Peng	1:1	2/6	AX3
Q'TY			DRAW: Gohan Wu 10/24'18			

REV.	ECN. NO.	APPD.

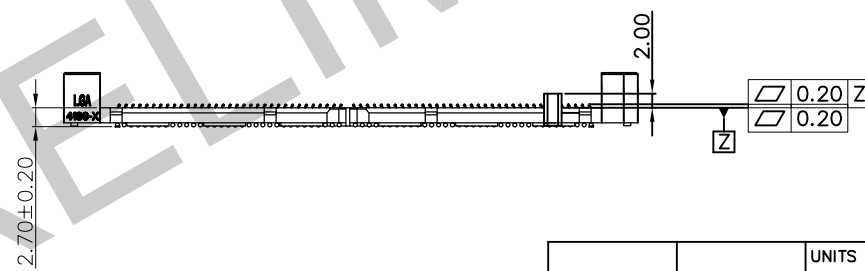
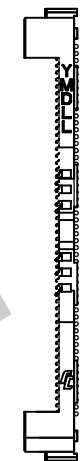
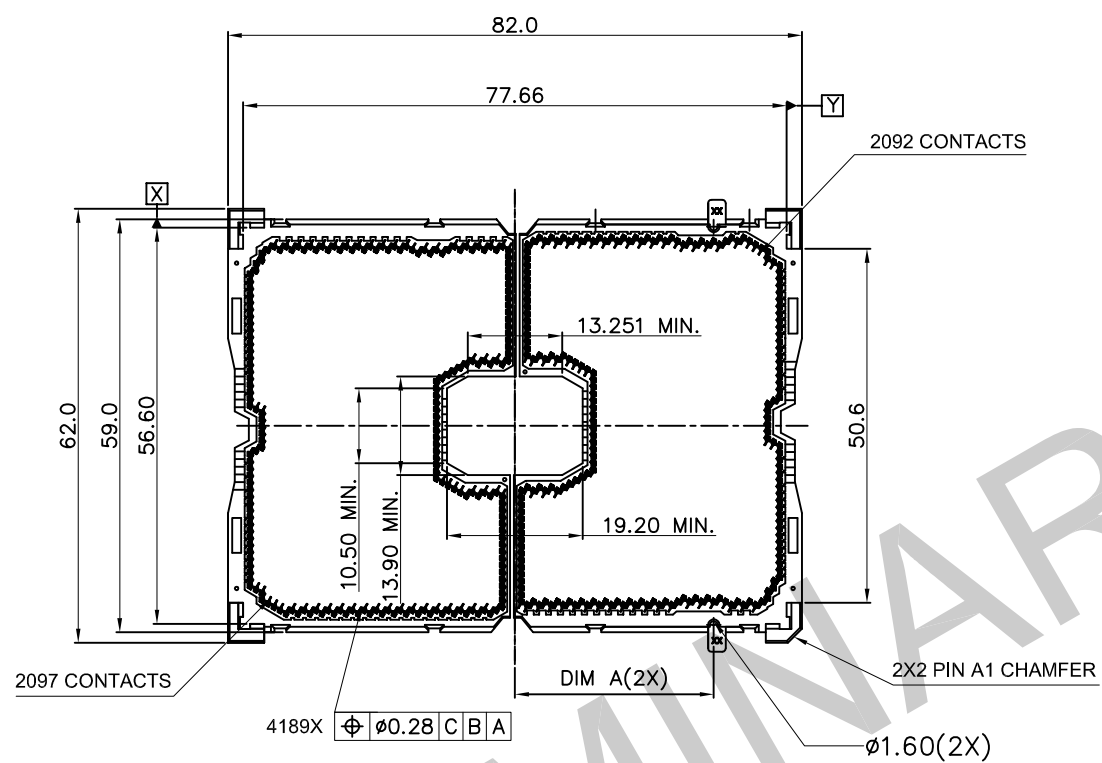


DETAIL D
SCALE 4:1

P5 SEGMENT B	PE41893-11NK4-1H	30u" Au
	PE41897-11NK4-1H	15u" Au
P4 SEGMENT B	PE41893-01NK4-1H	30u" Au
	PE41897-01NK4-1H	15u" Au
DESCRIPTION	PART NAME	PLATING

X.± 3	X.± 1'	UNITS mm	NAME(INTENDED USE) LGA4189 SOCKET	 FOXCONN INTERCONNECT TECHNOLOGY LIMITED.						
.X± 0.25	.X'±	MAT'L 	PART NO.(INTENDED USE) PE4189*-*****-1H		CLASS: <input type="checkbox"/> CONFIDENTIAL <input type="checkbox"/> SECRET <input checked="" type="checkbox"/> GENERAL					
.XX± 0.10	.XX'±	FINISH	APPD: Nick Lin	TITLE: CUSTOMER DRAWING FOR LGA4189 SOCKET						
.XXX± 0.10	.XXX± 0.05	Q'TY	CHKD: Dickie Huang Mac Peng	DWG NO.: 351-0000-1462						
<small>THESE DRAWINGS AND SPECIFICATIONS ARE THE PROPERTY OF FOXCONN INTERCONNECT TECHNOLOGY LIMITED AND SHALL NOT BE REPRODUCED, COPIED OR USED IN ANY MANNER WITHOUT THE PRIOR WRITTEN CONSENT OF FOXCONN INTERCONNECT TECHNOLOGY LIMITED.</small>			DRAW: Gohan Wu 10/24'18	<table border="1"> <tr> <td>SCALE</td> <td>SHEET</td> <td>REV.</td> </tr> <tr> <td>1:1</td> <td>3/6</td> <td>AX3</td> </tr> </table>	SCALE	SHEET	REV.	1:1	3/6	AX3
SCALE	SHEET	REV.								
1:1	3/6	AX3								

REV.	ECN. NO.	APPD.

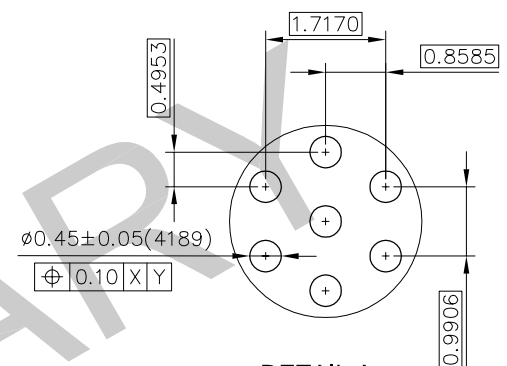
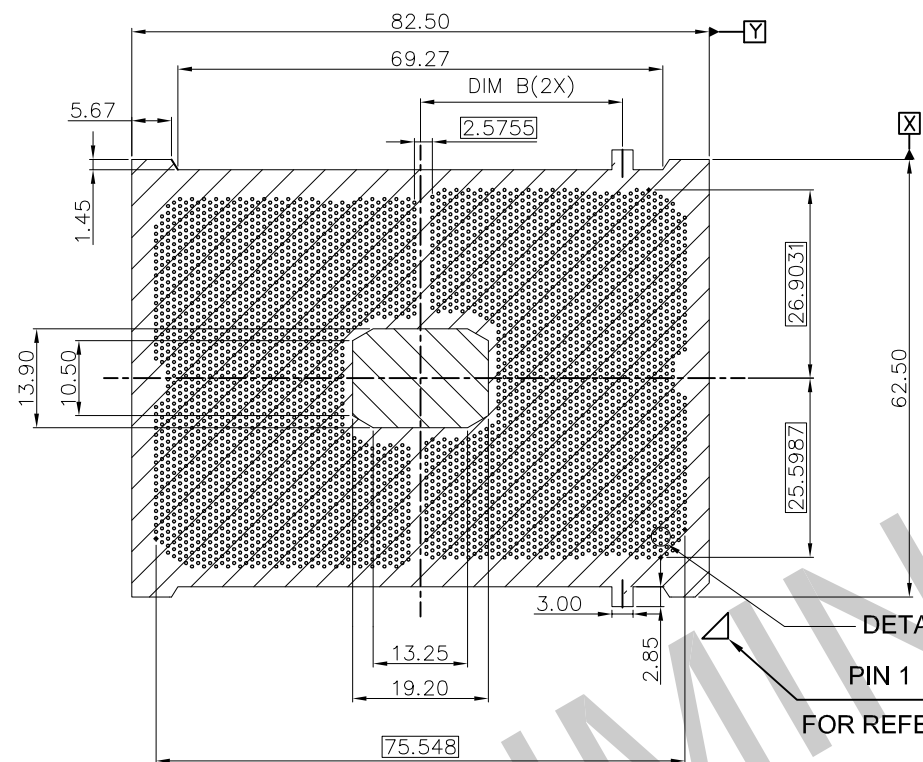


SOCKET P5	25.415
SOCKET P4	28.415
DESCRIPTION	DIM A

X.± 3	X.± 1'	UNITS mm	NAME(INTENDED USE) LGA4189 SOCKET	 FOXCONN INTERCONNECT TECHNOLOGY LIMITED.						
.X± 0.25	.X'±	MAT'L 	PART NO.(INTENDED USE) PE4189*-*****-1H		CLASS: <input type="checkbox"/> CONFIDENTIAL <input type="checkbox"/> SECRET <input checked="" type="checkbox"/> GENERAL					
.XX± 0.10	.XX'±	FINISH	APPD: Nick Lin	TITLE: CUSTOMER DRAWING FOR LGA4189 SOCKET						
.XXX± 0.10	.XXXX± 0.05		Q'TY	CHKD: Dickie Huang Mac Peng	DWG NO.: 351-0000-1462					
<small>THESE DRAWINGS AND SPECIFICATIONS ARE THE PROPERTY OF FOXCONN INTERCONNECT TECHNOLOGY LIMITED AND SHALL NOT BE REPRODUCED, COPIED OR USED IN ANY MANNER WITHOUT THE PRIOR WRITTEN CONSENT OF FOXCONN INTERCONNECT TECHNOLOGY LIMITED.</small>			DRAW: Gohan Wu 10/24'18	<table border="1"> <tr> <td>SCALE</td> <td>SHEET</td> <td>REV.</td> </tr> <tr> <td>1:1</td> <td>4/6</td> <td>AX3</td> </tr> </table>	SCALE	SHEET	REV.	1:1	4/6	AX3
SCALE	SHEET	REV.								
1:1	4/6	AX3								

PRELIMINARY

REV.	ECN. NO.	APPD.



DETAIL A
SCALE 10:1

DETAIL A
PIN 1 LOCATION
FOR REFERENCE ONLY

RECOMMENDED PAD ARRAY LAYOUT

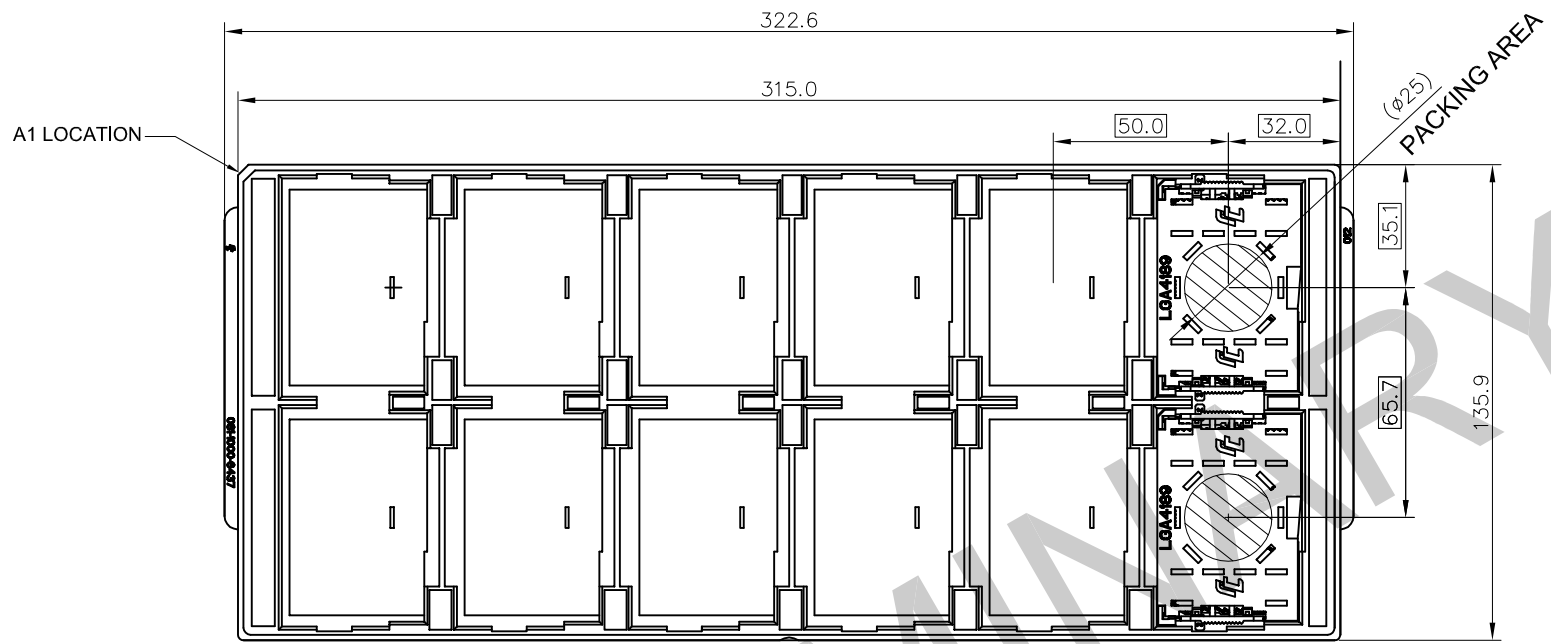
- SOCKET P PLACEMENT ZONE
NO OTHER COMPONENT PLACEMENT ALLOWED.
0.0 MM HEIGHT RESTRICTION.
- SOCKET CAVITY
1.222 MM HEIGHT RESTRICTION.

SOCKET P5	26.315
SOCKET P4	29.315
DESCRIPTION	DIM B

X.± 3	X.± 1'	UNITS mm	NAME(INTENDED USE) LGA4189 SOCKET	FOXCONN INTERCONNECT TECHNOLOGY LIMITED.
.X± 0.25	.X'±	MAT'L 	PART NO.(INTENDED USE) PE4189*-*****-1H	
.XX± 0.10	.XX'±	FINISH	APPD: Nick Lin	CLASS: <input type="checkbox"/> CONFIDENTIAL <input type="checkbox"/> SECRET <input checked="" type="checkbox"/> GENERAL
.XXX± 0.10	.XXX'± 0.05	Q'TY	CHKD: Dickie Huang Mac Peng	TITLE: CUSTOMER DRAWING FOR LGA4189 SOCKET
<small>THESE DRAWINGS AND SPECIFICATIONS ARE THE PROPERTY OF FOXCONN INTERCONNECT TECHNOLOGY LIMITED AND SHALL NOT BE REPRODUCED, COPIED OR USED IN ANY MANNER WITHOUT THE PRIOR WRITTEN CONSENT OF FOXCONN INTERCONNECT TECHNOLOGY LIMITED.</small>			DRAW: Gohan Wu 10/24'18	DWG NO.: 351-0000-1462



A1 LOCATION IS ACCORDING TO INTEL'S SPECIFICATION INSTEAD OF JEDEC'S.

REV.	ECN. NO.	APPD.



PACKING TRAY
SCALE 1:2

PRELIMINARY

X.± 3	X'± 1'	UNITS mm	NAME(INTENDED USE) LGA4189 SOCKET	 FOXCONN INTERCONNECT TECHNOLOGY LIMITED.						
.X± 0.25	.X'±	MAT'L 	PART NO.(INTENDED USE) PE4189*-*****-1H		CLASS: <input type="checkbox"/> CONFIDENTIAL <input type="checkbox"/> SECRET <input checked="" type="checkbox"/> GENERAL					
.XX± 0.10	.XX'±	FINISH	APPD: Nick Lin	TITLE: CUSTOMER DRAWING FOR LGA4189 SOCKET						
.XXX± 0.10	.XXX± 0.05	Q'TY	CHKD: Dickie Huang Mac Peng	DWG NO.: 351-0000-1462						
<small>THESE DRAWINGS AND SPECIFICATIONS ARE THE PROPERTY OF FOXCONN INTERCONNECT TECHNOLOGY LIMITED AND SHALL NOT BE REPRODUCED, COPIED OR USED IN ANY MANNER WITHOUT THE PRIOR WRITTEN CONSENT OF FOXCONN INTERCONNECT TECHNOLOGY LIMITED.</small>			DRAW: Gohan Wu 10/24'18	<table border="1"> <tr> <td>SCALE</td> <td>SHEET</td> <td>REV.</td> </tr> <tr> <td>1:1</td> <td>6/6</td> <td>AX3</td> </tr> </table>	SCALE	SHEET	REV.	1:1	6/6	AX3
SCALE	SHEET	REV.								
1:1	6/6	AX3								

X-ON Electronics

Largest Supplier of Electrical and Electronic Components

Click to view similar products for [Foxconn](#) manufacturer:

Other Similar products are found below :

[AS0A821-H2RB-7H](#) [PE41897-01NK5-1H](#) [JFM3811J-G140-4F](#) [QT012206-1031-2H](#) [UC11123-11KB-4F](#) [UEA11123-8EZ3-4H](#) [2EG04927-D2LN-DF](#) [SJ05201-A0](#) [UEA11123-QHD6-4H](#) [UB1112C-8FDE-4F](#) [3H993321-4M41-01H](#) [ATF5883-A2B30-2F](#) [ATF5883-A2B20-2F](#) [WNMBL60-1NNK0-EH](#) [WNMBP06-01NK0-EH](#) [HM3505E-P1](#) [AH58897-T2B20-3F](#) [DZ11AA1-H5A7-4F](#) [ASAA821-H4SB5-7H](#) [PE36473-01NK3-1H](#) [PE36473-01NK4-1H](#) [QH11121-DBT1-4F](#) [BBH1231-C1000-7H](#) [ATH4017-H3B-4F](#) [3S1020F3-AD4-4F](#) [2EF5B57-DA9DN-5F](#) [UEA01123-4FH1-4H](#) [2EM5407-B19BL-8F](#) [LU11683-B007-9H](#) [HB3106F](#) [LDH2363-33N20-7H](#) [ATH4017-H9LE-4F](#) [UEA1112C-UHS6-4F](#) [2EF5497-DA9DB-8H](#) [LDP2683-13A50-9H](#) [JPD1030-M301-7F](#) [2E0BC21-S64BM-7H](#) [2EZ00161-PH2-4F](#) [HC11051-D4](#) [LD1807F-S54TD](#) [2EG24927-D5D1-JF](#) [ASOB226-S52Q-7H](#) [AS0A626-HASN-7H](#) [HF5504E-P1LH](#) [JA634C-40ADA5B-7H](#) [AS0A621-H2R6-7H](#) [QT002206-4131-3H](#) [JFM24U11-21C3-4F](#) [EH06003-DAW-DF](#) [AS0B221-S52Q-7H](#)