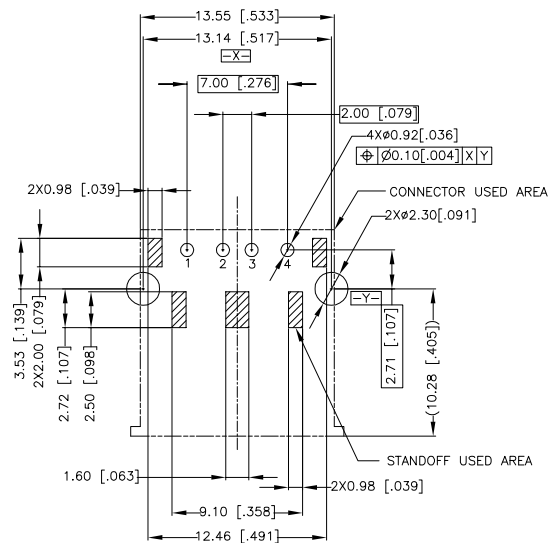
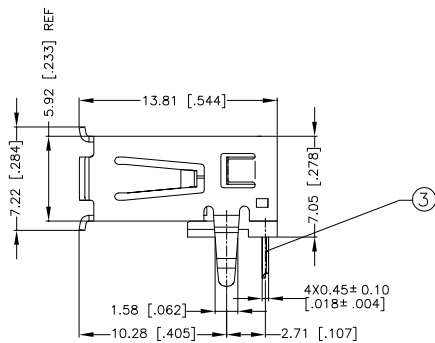
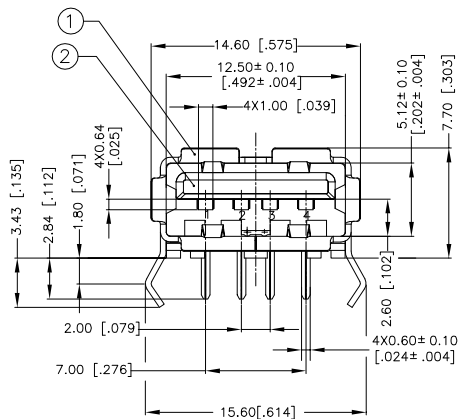


MOUNTING PANEL CUTOUT (INTERNAL SIDE)



RECOMMENDED PC BOARD LAYOUT (COMPONENT SIDE VIEW)

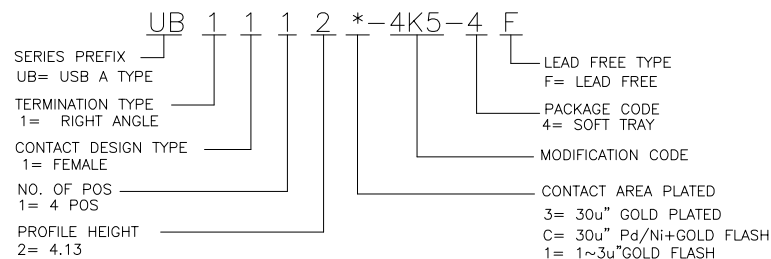
TOLERANCE ± 0.05 [0.002]

SPECIFICATIONS :

- ELECTRICAL CHARACTERISTICS :
 - CONTACT CURRENT RATING : 1.5 AMPERE.
 - VOLTAGE RATING : 30 V RMS MAX.
 - CONTACT RESISTANCE : 30 MILLIOHMS MAX.
 - DIELECTRIC WITHSTANDING VOLTAGE : 500 V RMS AC MIN.
 - INSULATION RESISTANCE : 1000 MEGOHMS MIN.
- MECHANICAL CHARACTERISTICS :
 - CONNECTOR MATING FORCE : 35N (3.5 KGF) MAX.
 - CONNECTOR UNMATING FORCE : 10~35N (1.0~3.5 KGF).
 - DURABILITY: 1500 CYCLES.
- ENVIRONMENT CHARACTERISTICS :
 - OPERATING TEMPERATURE : -0°C TO $+50^{\circ}\text{C}$, HUMIDITY 85% RH MAX.
 - STORAGE TEMPERATURE : -20°C TO $+60^{\circ}\text{C}$, HUMIDITY 85% RH MAX.

NOTE:

- SPECIFICATION MEETS USB2.0 STANDARD SPECIFICATION.
- RECOMMENDED PROCESS: WAVE SOLDER, PEAK TEMP. 260°C 3~5 SECONDS.



ITEM	DESCRIPTION	QTY	MATERIAL	FINISH	REMARK
3	CONTACT	4	COPPER ALLOY	GOLD FLASH PLATED(1~3u") AT CONTACT AREA, LEAD FREE TIN ALLOY PLATED AT TERMINATION NICKEL PLATED OVERALL.	UB11121-4K5-4F
				GOLD FLASH OVER Pd/Ni 30u" MIN. PLATED AT CONTACT AREA, LEAD FREE TIN ALLOY PLATED AT TERMINATION, NICKEL PLATED OVERALL.	UB1112C-4K5-4F
				GOLD 30u" MIN. PLATED AT CONTACT AREA, LEAD FREE TIN ALLOY PLATED AT TERMINATION NICKEL PLATED OVERALL.	UB11123-4K5-4F
2	INSULATOR	1	LOW-TEMP THERMOPLASTIC UL 94V-0	MOLDED BLACK	
1	SHELL	1	COPPER ALLOY	LEAD FREE TIN ALLOY PLATED AT KINKS. NICKEL PLATED OVERALL.	

X.±	X°±	UNITS	mm [INCH]	NAME(INTENDED USE)	FOXCONN
.X±	.X°±	MAT'L		CUSTOMER	HON HAI PRECISION IND. CO.,LTD. TAIPEI, TAIWAN, R.O.C.
.XX± [0.25]	.XX°±		N/A	PART NO.(INTENDED USE)	TITLE:
.XXX±	.XXX°±	FINISH	N/A	UB1112*-4K5-4F	SINGLE USB A TYPE RECEPTACLE
THESE DRAWINGS AND SPECIFICATIONS ARE THE PROPERTY OF HON HAI PRECISION IND. CO., LTD. AND SHALL NOT BE REPRODUCED, COPIED OR USED IN ANY MANNER WITHOUT THE PRIOR WRITTEN CONSENT OF HON HAI PRECISION IND. CO., LTD.				APPD: Jesse Wang 6/1'11	DWG NO.: 327-0000-1143
				CHKD: F.H. Shu 6/1'11	SCALE SHEET REV.
				DR: Y.H. Liu 6/1'11	N/A 1/1 C

REV.	ECN. NO.	APPD.
A	BC04730878	HAO GU
B	BC-07-7035564	HAO GU
C	BC-11-0060497	Adward

X-ON Electronics

Largest Supplier of Electrical and Electronic Components

Click to view similar products for [USB Connectors](#) category:

Click to view products by [Foxconn](#) manufacturer:

Other Similar products are found below :

[950](#) [MUSBD11135](#) [17-200721](#) [217450-1](#) [KMBVX-TH-5S-B30](#) [KUSBX-AS2N-W](#) [KUSBX-SMT2AP1S-W30](#) [935](#) [957](#) [30-498-6](#) [SK-60A-2](#)
[1734082-1](#) [30-470](#) [30-489](#) [30-541](#) [MIKROE-1451](#) [USBFTVSCCG](#) [1-1734084-2](#) [10135326-001LF](#) [4198](#) [USB-A-D-VT](#) [USB-A-S-RA-](#)
[TSMT](#) [1310-1023-02](#) [690-024-633-031](#) [UB-20PMFP-LC7001](#) [17-200011](#) [UB-20AFMM-LL7A01](#) [1040870124](#) [CAP-WCCMLPB1](#) [CAP-](#)
[WCCMLPC1](#) [2274475-3](#) [UB-20BMFA-SL8001](#) [914-614A2025S10200](#) [ZX40-B-5S-1500-STDA\(30\)](#) [GSB3116344HR](#)
[USB3FTV2SAZNF459](#) [U221-041N-1WVS62-F5D](#) [HYCW153-USBD05-500B](#) [HYCW219-USBD05-075B](#) [HYCW148-USBD05-117B](#)
[HYCW149-USBD05-740B](#) [HYCW204-USBD05-108B](#) [HYCW214-USBA04-113B](#) [HYCW213-USBA04-113B](#) [UB-20AMFM-SL7A01](#)
[KMMX-BSMT35S-1-B30TR](#) [2345986-1](#) [10082141-N340LF](#) [10117836-011LF](#) [GT-2A001F-CGNG1](#)