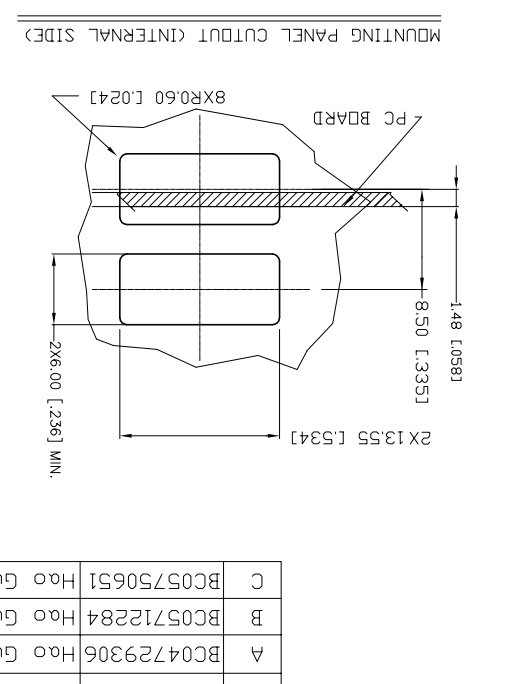
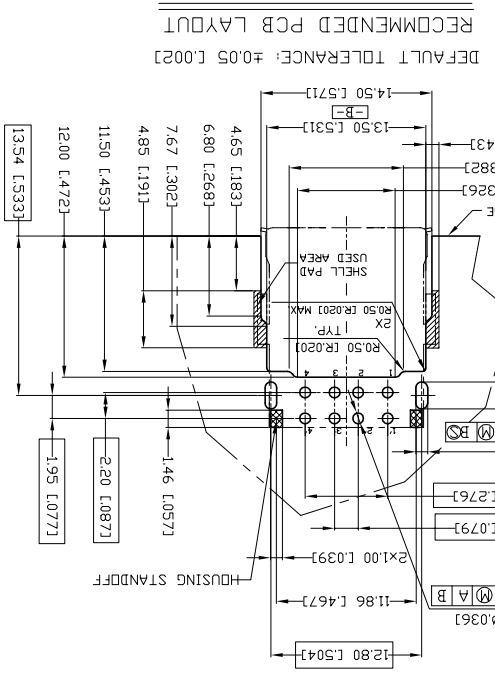


NOTE:  
 1. MEET USB STANDARD SPECIFICATION.  
 2. RECOMMENDED PCB THICKNESS: 1.20±0.05 [0.47±0.02]  
 3. PERFORMANCE:  
 3-1. ELECTRICAL CHARACTERISTICS:  
 3-1-1. CONTACT CURRENT RATING: 1.5 A.  
 3-1-2. CONTACT RESISTANCE: 30 MILLIOHMS MAX.  
 3-1-3. DIELECTRIC WITHSTANDING VOLTAGE: 500 VAC MIN.  
 3-1-4. INSULATION RESISTANCE: 1000 MEGOHMS MIN.  
 3-2. MECHANICAL CHARACTERISTICS:  
 3-2-1. CONNECTOR ENGAGEMENT FORCE: 35N(3.5 kgf) MAX.  
 3-2-2. CONNECTOR SEPARATION FORCE: 10~35N(1.0~3.5 kgf).  
 4. DEGRATING TEMPERATURE: -55 TO +85°C.  
 5. RECOMMENDED PROCESS: WAVE SOLDERING, PEAK TEMP. 260°C, 3~5 SECONDS.  
 OR REFLOW SOLDERING, PEAK TEMP. 245°C, 3~5 SECONDS.



ITEM	DESCRIPTION	QTY	MATERIAL	FINISH	UNITS [INCH]
1	SHELL	1	COPPER ALLOY	NICKEL PLATED OVERALL, Pd FLASH PLATED AT PADS AND HOOKS	
2	INSULATOR	1	HI-TEMP THERMOPLASTIC UL 94V-0	MOLDED BLACK	
3	FINGER	1	COPPER ALLOY	NICKEL PLATED	
4	CONTACT	8	COPPER ALLOY	AT CONTACT AREA, SEMI-BRIGHT TIN PLATED AT TERMINATION, NICKEL PLATED OVERALL.	UB112C-824*F
				AU 30μ MIN. PLATED AT CONTACT AREA, SEMI-BRIGHT TIN PLATED AT TERMINATION, NICKEL PLATED OVERALL.	UB1123-824*F

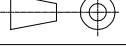
NAME(INTENDED USE)	CUSTOMER	HON HAI PRECISION IND. CO., LTD. TAIPEI, TAIWAN, R.O.C.
PART NO.(INTENDED USE)	UB112C-824*F	
APPD:	Hao Gu 12/31/05	
CHKD:	L.S Hu 12/30/05	
DR:	H.L Yon 12/29/05	
SCALE	1/1	
SHEET		
REV.		

REV.	ECN. NO.	APPD.
A	BC04729306	Hao Gu
B	BC05712284	Hao Gu
C	BC05750651	Hao Gu

**FOXCONN**  
 HON HAI PRECISION IND. CO., LTD.  
 TAIPEI, TAIWAN, R.O.C.

TITLE: STACKED USB A TYPE RECEPTACLE

DWG NO.: 327-0000-1133



SCALE SHEET REV. C

## X-ON Electronics

Largest Supplier of Electrical and Electronic Components

*Click to view similar products for [USB Connectors](#) category:*

*Click to view products by [Foxconn](#) manufacturer:*

Other Similar products are found below :

[10033527-N3112MLF](#) [17-210561](#) [GMCB05B11124H1EU](#) [17-200931](#) [65-647-8-BK-BU](#) [690-010-295-484](#) [73725-1191BLF](#) [950](#) [E8144-B01021-L](#) [A-USB A-LP-SMT-C](#) [A-USB B-TOP-C](#) [MUSBA511N5](#) [MUSBB15131](#) [MUSBC111M5](#) [MUSBD11135](#) [217450-1](#) [CA 6 W LD](#)  
[896-30-004-00-000000](#) [KUSBVX-BS1N-W30](#) [KUSBX-AP-KIT-SCBLK](#) [KUSBX-AS2N-W](#) [KUSBX-SMT2AP1S-W](#) [KUSBX-SMTAS1NBTR](#) [KUSBX-SMTBS1NBTR](#) [30-498-6](#) [SK-60A-2](#) [17-200261](#) [17-210051](#) [1734082-1](#) [FK-37-32SL](#) [30-1574](#) [30-470](#) [30-489](#) [30-541](#) [30-572-3](#) [30-9503](#) [M9177/2-1](#) [MAB 5 S](#) [MIKROE-1451](#) [33UBBR-04SW11R](#) [USBFTV2PEM2G](#) [USBFTVC6ZN](#) [USBFTVSCCG](#)  
[KUSBX-AS2N-W30](#) [KUSBX-SLAS1N-W](#) [KUSBX-SLAS1N-W30](#) [1-1734084-2](#) [E8110-001-01](#) [MUSBC11135](#) [NK-27-32SL](#)