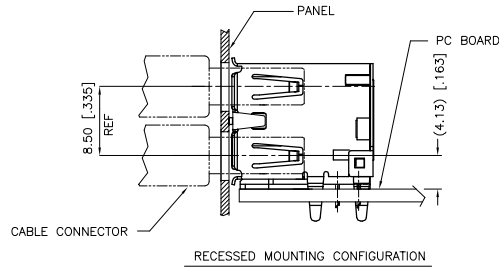
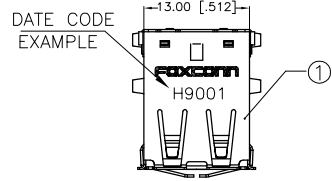


REV.	ECN. NO.	APPD.
A	BC-10-0048062	Adward
B	BC-10-0152044	Adward
C	BC-11-0088036	Adward



SPECIFICATIONS :

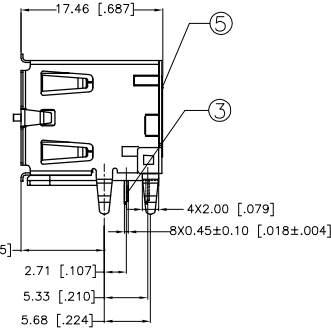
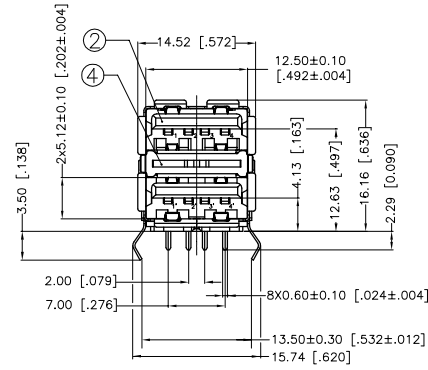
1. PERFORMANCE :

1-1. ELECTRICAL CHARACTERISTICS :

- 1-1-1. CONTACT CURRENT RATING : 1.5 AMPERE
- 1-1-2. CONTACT RESISTANCE : 30 MILLIOHMS MAX.
- 1-1-3. DIELECTRIC WITHSTANDING VOLTAGE : 500 VAC MIN.
- 1-1-4. INSULATION RESISTANCE : 1000 MEGOHMS MIN.

1-2. MECHANICAL CHARACTERISTICS :

- 1-2-1. CONNECTOR ENGAGEMENT FORCE : 35N(3.5 Kgf) MAX.
- 1-2-2. CONNECTOR SEPARATION FORCE : 10~35N(1.0~3.5 Kgf).
- 1-2-3. DURABILITY: 1500 CYCLES.
- 1-2-4. OPERATING TEMPERATURE : -55 TO +85°C



UB 1 1 1 2 * - 8FDE - 4 F

SERIES PREFIX
USB A TYPE

TERMINATION TYPE
1= RIGHT ANGLE

CONTACT TYPE
1= FEMALE

NO. OF POS.
1= 4 POS

PROFILE HEIGHT
2=4.13 MM

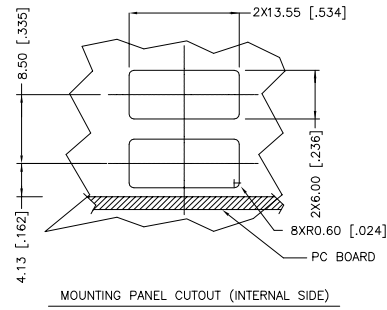
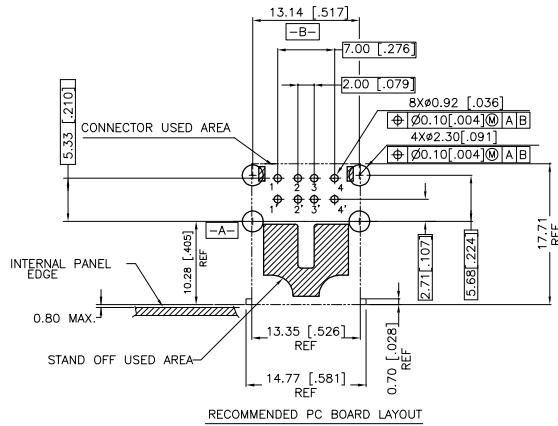
LEAD FREE CODE
F= LEAD FREE

PACKAGE CODE
4= SOFT TRAY

EXTEND CODE

CONTACT AREA PLATED

- 1= 1u" MIN GOLD PLATED
- 0= 30 u" Pd/Ni, GOLD FLASH PLATED
- 3= 30 u" GOLD PLATED
- 7= 15 u" GOLD PLATED



NOTES :

1. DIMENSIONS ARE IN MILLIMETERS, BRACKETED DIMENSIONS ARE INCHES EQUIVALENTS.
2. PC BOARD LAYOUT DIMENSION TOLERANCE ±0.05 [0.002].
3. MEET USB STANDARD SPECIFICATION.
4. RECOMMENDED PCB THICKNESS : 1.60±0.05 [0.063±0.002]
5. RECOMMENDED PROCESS: WAVE SOLDER, PEAK TEMP. 270°C MAX, 10 SECONDS.
6. THE PRODUCT IS ROHS COMPLIANT.

ITEM	DESCRIPTION	QTY	MATERIAL	FINISH	REMARK																																																	
5	REAR SHELL	1	STEEL	NICKEL PLATED																																																		
4	FINGER	1	STAINLESS STEEL	CLEAN																																																		
3	CONTACT	8	COPPER ALLOY	GOLD PLATED AT CONTACT AREA, LEAD FREE TIN ALLOY AT SOLDER TAIL, NICKEL PLATED OVER ALL.	FOR UB1112*-8FDE-4F																																																	
2	INSULATOR	1	THERMOPLASTIC UL 94V-0	BLACK PA66																																																		
1	FRONT SHELL	1	STAINLESS STEEL	NICKEL PLATED OVERALL, BUT KINK WITH LEAD FREE TIN ALLOY																																																		
<table border="1" style="width: 100%;"> <tr> <td>×.±</td> <td>×'.±</td> <td>UNITS [mm] [INCH]</td> <td>NAME (INTENDED USE)</td> <td rowspan="2">FOXCONN HON HAI PRECISION IND. CO., LTD. TAIPEI, TAIWAN, R.O.C.</td> </tr> <tr> <td>.×±</td> <td>.'×±</td> <td>MAT'L</td> <td>CUSTOMER</td> </tr> <tr> <td>.XX±^{0.25}_[.010]</td> <td>.XX'±</td> <td>N/A</td> <td>PART NO. (INTENDED USE)</td> <td>TITLE: STACKED USB A TYPE RECEPTACLE</td> </tr> <tr> <td>.XXX±</td> <td>.XXX'±</td> <td>FINISH</td> <td>UB1112*-8FDE-4F</td> <td>DWG NO.:</td> </tr> <tr> <td colspan="3">THESE DRAWINGS AND SPECIFICATIONS ARE THE PROPERTY OF HON HAI PRECISION IND. CO., LTD. AND SHALL NOT BE REPRODUCED, COPIED OR USED IN ANY MANNER WITHOUT THE PRIOR WRITTEN CONSENT OF HON HAI PRECISION IND. CO., LTD.</td> <td>N/A</td> <td>327-0000-2172</td> </tr> <tr> <td colspan="3"></td> <td>Q'TY</td> <td>APPD: Jesse Wang 8/1'11</td> </tr> <tr> <td colspan="3"></td> <td></td> <td>CHKD: F.H Shu 8/1'11</td> </tr> <tr> <td colspan="3"></td> <td></td> <td>DR: C.Y Zhai 8/1'11</td> </tr> <tr> <td colspan="4"></td> <td>SCALE SHEET REV.</td> </tr> <tr> <td colspan="4"></td> <td>N/A 1/1 C</td> </tr> </table>						×.±	×'.±	UNITS [mm] [INCH]	NAME (INTENDED USE)	FOXCONN HON HAI PRECISION IND. CO., LTD. TAIPEI, TAIWAN, R.O.C.	.×±	.'×±	MAT'L	CUSTOMER	.XX± ^{0.25} _[.010]	.XX'±	N/A	PART NO. (INTENDED USE)	TITLE: STACKED USB A TYPE RECEPTACLE	.XXX±	.XXX'±	FINISH	UB1112*-8FDE-4F	DWG NO.:	THESE DRAWINGS AND SPECIFICATIONS ARE THE PROPERTY OF HON HAI PRECISION IND. CO., LTD. AND SHALL NOT BE REPRODUCED, COPIED OR USED IN ANY MANNER WITHOUT THE PRIOR WRITTEN CONSENT OF HON HAI PRECISION IND. CO., LTD.			N/A	327-0000-2172				Q'TY	APPD: Jesse Wang 8/1'11					CHKD: F.H Shu 8/1'11					DR: C.Y Zhai 8/1'11					SCALE SHEET REV.					N/A 1/1 C
×.±	×'.±	UNITS [mm] [INCH]	NAME (INTENDED USE)	FOXCONN HON HAI PRECISION IND. CO., LTD. TAIPEI, TAIWAN, R.O.C.																																																		
.×±	.'×±	MAT'L	CUSTOMER																																																			
.XX± ^{0.25} _[.010]	.XX'±	N/A	PART NO. (INTENDED USE)	TITLE: STACKED USB A TYPE RECEPTACLE																																																		
.XXX±	.XXX'±	FINISH	UB1112*-8FDE-4F	DWG NO.:																																																		
THESE DRAWINGS AND SPECIFICATIONS ARE THE PROPERTY OF HON HAI PRECISION IND. CO., LTD. AND SHALL NOT BE REPRODUCED, COPIED OR USED IN ANY MANNER WITHOUT THE PRIOR WRITTEN CONSENT OF HON HAI PRECISION IND. CO., LTD.			N/A	327-0000-2172																																																		
			Q'TY	APPD: Jesse Wang 8/1'11																																																		
				CHKD: F.H Shu 8/1'11																																																		
				DR: C.Y Zhai 8/1'11																																																		
				SCALE SHEET REV.																																																		
				N/A 1/1 C																																																		

X-ON Electronics

Largest Supplier of Electrical and Electronic Components

Click to view similar products for [USB Connectors](#) category:

Click to view products by [Foxconn](#) manufacturer:

Other Similar products are found below :

[950](#) [MUSBD11135](#) [17-200721](#) [217450-1](#) [KMBVX-TH-5S-B30](#) [KUSBX-AS2N-W](#) [KUSBX-SMT2AP1S-W30](#) [935](#) [957](#) [30-498-6](#) [SK-60A-2](#)
[1734082-1](#) [30-470](#) [30-489](#) [30-541](#) [MIKROE-1451](#) [USBFTVSCCG](#) [1-1734084-2](#) [10135326-001LF](#) [4198](#) [USB-A-D-VT](#) [USB-A-S-RA-](#)
[TSMT](#) [1310-1023-02](#) [690-024-633-031](#) [UB-20PMFP-LC7001](#) [17-200011](#) [UB-20AFMM-LL7A01](#) [1040870124](#) [CAP-WCCMLPB1](#) [CAP-](#)
[WCCMLPC1](#) [2274475-3](#) [UB-20BMFA-SL8001](#) [914-614A2025S10200](#) [USB3FTV7SAGF059](#) [ZX40-B-5S-1500-STDA\(30\)](#) [GSB3116344HR](#)
[USB3FTV2SAZNF459](#) [U221-041N-1WVS62-F5D](#) [HYCW153-USBD05-500B](#) [HYCW219-USBD05-075B](#) [HYCW148-USBD05-117B](#)
[HYCW149-USBD05-740B](#) [HYCW204-USBD05-108B](#) [HYCW214-USBA04-113B](#) [HYCW213-USBA04-113B](#) [UB-20AMFM-SL7A01](#)
[KMMX-BSMT35S-1-B30TR](#) [2345986-1](#) [10082141-N340LF](#) [10117836-011LF](#)