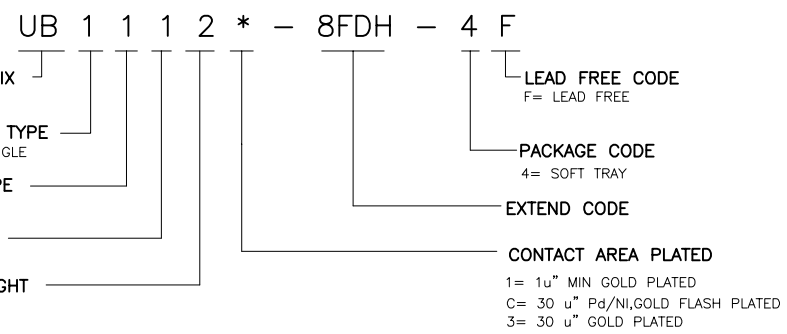


SPECIFICATIONS :

1. PERFORMANCE :
- 1-1. ELECTRICAL CHARACTERISTICS :
- 1-1-1. CONTACT CURRENT RATING : 1.5 AMPERE
- 1-1-2. CONTACT RESISTANCE : 30 MILLIOHMS MAX.
- 1-1-3. DIELECTRIC WITHSTANDING VOLTAGE : 500 VAC MIN.
- 1-1-4. INSULATION RESISTANCE : 1000 MEGOHMS MIN.
- 1-2. MECHANICAL CHARACTERISTICS :
- 1-2-1. CONNECTOR ENGAGEMENT FORCE : 35N(3.5 Kgf) MAX.
- 1-2-2. CONNECTOR SEPARATION FORCE : 10~35N(1.0~3.5 Kgf).
- 1-2-3. DURABILITY: 1500 CYCLES.
- 1-2-4. OPERATING TEMPERATURE : -55 TO +85°C



NOTES :

- DIMENSIONS ARE IN MILLIMETERS, BRACKETED DIMENSIONS ARE INCHES EQUIVALENTS.
- PC BOARD LAYOUT DIMENSION TOLERANCE ±0.05 [.002].
- MEET USB STANDARD SPECIFICATION.
- RECOMMENDED PCB THICKNESS : 1.60±0.05[.063±.002]
- RECOMMENDED PROCESS: WAVE SOLDER, PEAK TEMP. 270°C,10SECONDS.
- THE PRODUCT IS ROHS COMPLIANT.

ITEM	DESCRIPTION	QTY	MATERIAL	FINISH	REMARK
4	FINGER	1	STAINLESS STEEL	CLEAN	
3	CONTACT	8	COPPER ALLOY	1u" MIN GOLD PLATED AT CONTACT AREA, LEAD FREE TIN ALLOY AT SOLDER TAIL, NICKEL PLATED OVER ALL.	FOR UB11121-8FDH-4F
				30u"Pd/Ni &GOLD FLASH AT CONTACT AREA, LEAD FREE TIN ALLOY AT SOLDER TAIL,NICKEL PLATED OVER ALL.	FOR UB1112C-8FDH-4F
				30u"GOLD PLATED AT CONTACT AREA, LEAD FREE TIN ALLOY AT SOLDER TAIL, NICKEL PLATED OVER ALL.	FOR UB11123-8FDH-4F
2	INSULATOR	1	THERMOPLASTIC UL 94V-0	MOLDED BLACK PA66	
1	FRONT SHELL	1	STAINLESS STEEL	NICKEL PLATED OVERALL, BUT KINK WITH LEAD FREE TIN ALLOY	

X.±	X'.±	UNITS [mm] [INCH]	NAME(INTENDED USE)	<b>FOXCONN</b> HON HAI PRECISION IND. CO.,LTD. TAIPEI, TAIWAN, R.O.C.						
.X±	.X'±	MAT'L	CUSTOMER							
.XX±	.XX'±	N/A	PART NO.(INTENDED USE)	TITLE: STACKED USB A TYPE RECEPTACLE						
.XXX±	.XXX'±	FINISH	UB1112*-8FDH-4F	DWG NO.: 327-0000-2186						
THESE DRAWINGS AND SPECIFICATIONS ARE THE PROPERTY OF HON HAI PRECISION IND. CO., LTD. AND SHALL NOT BE REPRODUCED, COPIED OR USED IN ANY MANNER WITHOUT THE PRIOR WRITTEN CONSENT OF HON HAI PRECISION IND. CO., LTD.			APPD: Jesse Wang 12/20'10	<table border="1"> <tr> <th>SCALE</th> <th>SHEET</th> <th>REV.</th> </tr> <tr> <td>N/A</td> <td>1/1</td> <td>B</td> </tr> </table>	SCALE	SHEET	REV.	N/A	1/1	B
			SCALE		SHEET	REV.				
			N/A		1/1	B				
Q'TY	CHKD: F.H Shu 12/20'10									
	DR: C.Y Zhai 12/20'10									

## X-ON Electronics

Largest Supplier of Electrical and Electronic Components

*Click to view similar products for [USB Connectors](#) category:*

*Click to view products by [Foxconn](#) manufacturer:*

Other Similar products are found below :

[950](#) [A-USB B-TOP-C](#) [MUSBA511N5](#) [MUSBC111M5](#) [MUSBD11135](#) [17-200721](#) [217450-1](#) [KMBVX-TH-5S-B30](#) [896-30-004-00-000000](#)  
[KUSBX-AS2N-W](#) [KUSBX-SMT2AP1S-W30](#) [935](#) [957](#) [30-498-6](#) [SK-60A-2](#) [1734082-1](#) [30-1574](#) [30-470](#) [30-489](#) [30-541](#) [30-572-3](#) [A-USB](#)  
[A-2P-C](#) [MIKROE-1451](#) [USBFTV2PEM2G](#) [USBFTVSCCG](#) [4689-1](#) [1-1734084-2](#) [MUSBC11135](#) [USBF21ZNSCC](#) [USBBFTV6ZC](#)  
[MUSBB151341](#) [10135326-001LF](#) [M9177/3-1](#) [TJ-105](#) [USB-A-S-F-B-VT](#) [4198](#) [690-024-633-031](#) [UB-20PMFP-LC7001](#) [USBFTVC6MRG](#)  
[UA-20BMFA-SL8001](#) [17-200011](#) [USBFTVC7ZC](#) [UB-20AFMM-LL7A01](#) [USBFTVC2MN](#) [CAP-WCCMLPB1](#) [1310-1031-01](#) [2041386-1](#)  
[2274475-3](#) [UB-20BMFA-SL8001](#) [UB-20PMFP-SC8003](#)