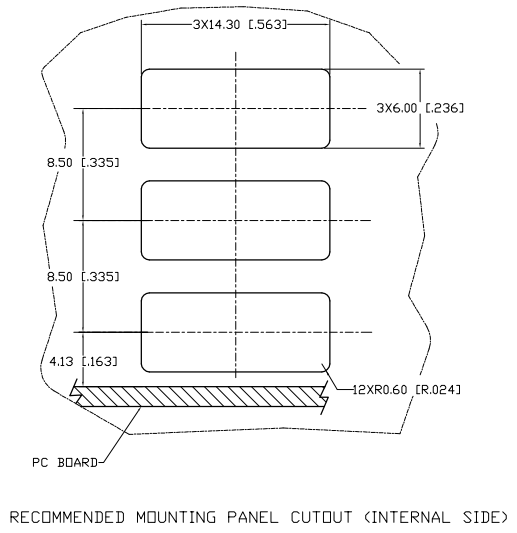
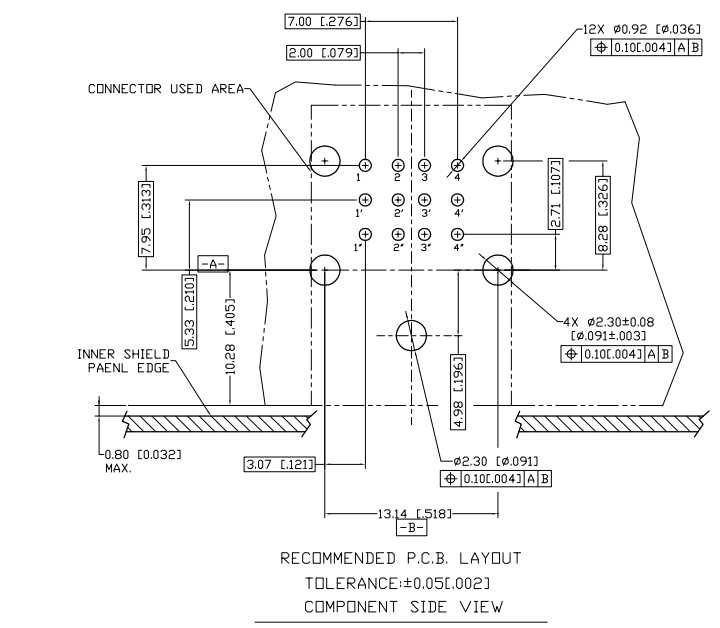
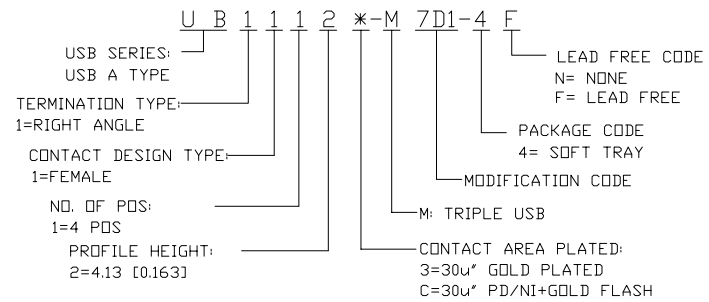
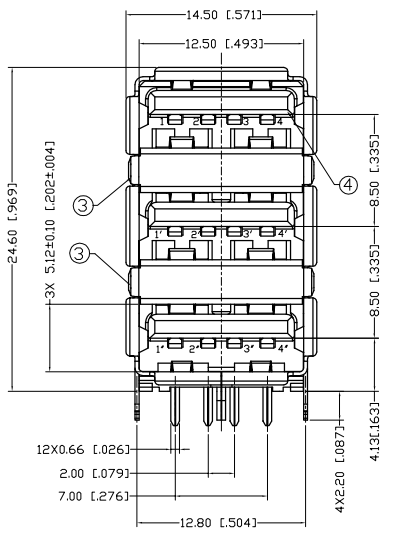
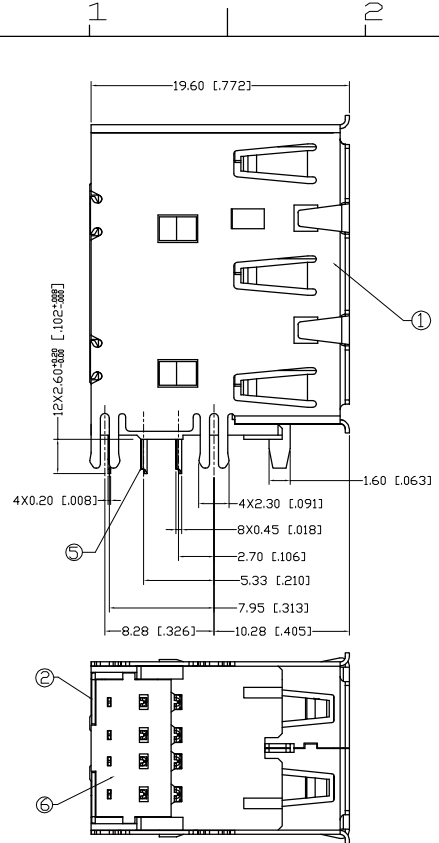


|      |               |        |
|------|---------------|--------|
| REV. | ECN. NO.      | APPD.  |
| A    | BC-11-0050833 | Adward |

NOTES:

- ELECTRICAL CHARACTERISTICS :
  - CONTACT CURRENT RATING : 1.5 AMPERE.
  - CONTACT RESISTANCE : 30 MILLIOHMS MAX.
  - DIELECTRIC WITHSTANDING VOLTAGE : 500 VAC MIN.
  - INSULATION RESISTANCE : 1000 MEGOHMS MIN.
  - EVERY PORT CAN WITHSTAND 2.5A CURRENT SEPARATELY WHILE THE ΔT DOESN'T EXCEED +30°C AT ANY POINT IN THE USB CONNECTOR.
- MECHANICAL CHARACTERISTICS :
  - CONNECTOR MATING FORCE : 35N(3.5Kgf) MAX.
  - CONNECTOR UNMATING FORCE : 10~35N(1.0~3.5Kgf).
  - DURABILITY: 1500 CYCLES.
  - OPERATING TEMPERATURE : -55°C TO +85°C
- RECOMMENDED P.C.B. THICKNESS: 1.60±0.05[.063±.002]
- SPECIFICATION MEETS USB 2.0 STANDARD SPECIFICATION.
- RECOMMENDED PROCESS: WAVE SOLDER, PEAK TEMP. 265±5°C 10 SECONDS.
- THE PRODUCT IS ROHS COMPLIANT.



| ITEM | DESCRIPTION | QTY | MATERIAL               | TREATMENT  |
|------|-------------|-----|------------------------|--|
| 1    | FRONT SHELL | 1   | COPPER ALLOY           | NI PLATED OVRALL, BUT HOOKS PLATED SN ALLOY (LEAD FREE)                                      |
| 2    | REAR SHELL  | 1   | COPPER ALLOY           | NI PLATED  |
| 3    | FINGERS     | 2   | STAINLESS STEEL        | WASH   |
| 4    | HOUSING     | 1   | THERMOPLASTIC UL 94V-0 | MOLDED BLACK   |
| 5    | CONTACT     | 12  | COPPER ALLOY           | AU PLATING AT CONTACT AREA, SN ALLOY (LEAD FREE) AT SOLDER AREA, NICKEL UNDERPLATED OVERALL. |
| 6    | SPACER      | 1   | THERMOPLASTIC UL 94V-0 | MOLDED BLACK   |

|                      |         |                 |                                 |   |
|----------------------|---------|-----------------|---------------------------------|---|
| × ±                  | ×° ±    | UNITS mm (inch) | NAME (INTENDED USE)<br>CUSTOMER | FOXCONN<br>HON HAI PRECISION IND. CO., LTD.<br>TAIPEI, TAIWAN, R.O.C. |
| .X ±                 | .X° ±   |                 |                                 |   |
| .XX ± [0.25 [L.010]] | .XX° ±  | FINISH<br>N/A   | APPD: Jesse Wang 5/12'11        | DWG NO: 327-0000-2407   |
| .XXX ±               | .XXX° ± |                 | QTY<br>N/A                      | CHKD: F.H. Shu 5/12'11  |
|                      |         |                 |                                 | DR: C.Y. Zhai 5/12'11   |

THESE DRAWINGS AND SPECIFICATIONS ARE THE PROPERTY OF HON HAI PRECISION IND. CO., LTD. AND SHALL NOT BE REPRODUCED, COPIED OR USED IN ANY MANNER WITHOUT THE PRIOR WRITTEN CONSENT OF HON HAI PRECISION IND. CO., LTD.

## X-ON Electronics

Largest Supplier of Electrical and Electronic Components

*Click to view similar products for [USB Connectors](#) category:*

*Click to view products by [Foxconn](#) manufacturer:*

Other Similar products are found below :

[950](#) [A-USB A-LP-SMT-C](#) [A-USB B-TOP-C](#) [MUSBA511N5](#) [MUSBC111M5](#) [MUSBD11135](#) [17-200721](#) [217450-1](#) [KMBVX-TH-5S-B30](#)  
[896-30-004-00-000000](#) [KUSBX-AS2N-W](#) [KUSBX-SMT2AP1S-W30](#) [935](#) [957](#) [30-498-6](#) [SK-60A-2](#) [1734082-1](#) [30-1574](#) [30-470](#) [30-489](#) [30-](#)  
[541](#) [30-572-3](#) [A-USB A-2P-C](#) [MIKROE-1451](#) [USBFTV2PEM2G](#) [USBFTVSCCG](#) [4689-1](#) [1-1734084-2](#) [MUSBC11135](#) [USBF21ZNSCC](#)  
[USBBFTV6ZC](#) [MUSBB151341](#) [10135326-001LF](#) [M9177/3-1](#) [TJ-105](#) [USB-A-S-F-B-VT](#) [4198](#) [690-024-633-031](#) [UB-20PMFP-LC7001](#)  
[USBFTVC6MRG](#) [UA-20BMFA-SL8001](#) [17-200011](#) [USBFTVC7ZC](#) [UB-20AFMM-LL7A01](#) [USBFTVC2MN](#) [CAP-WCCMLPB1](#) [1310-](#)  
[1031-01](#) [2041386-1](#) [2274475-3](#) [UB-20BMFA-SL8001](#)