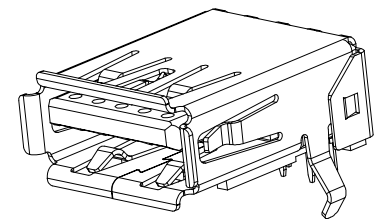
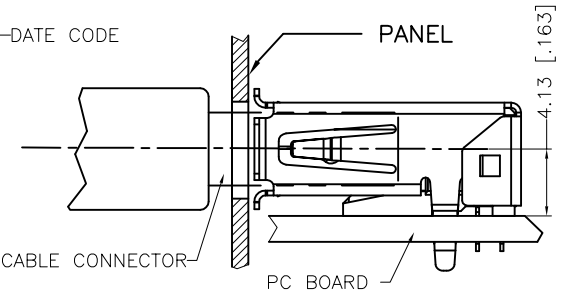
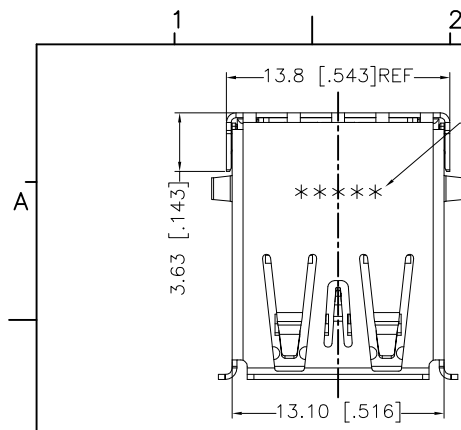


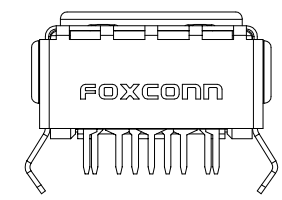
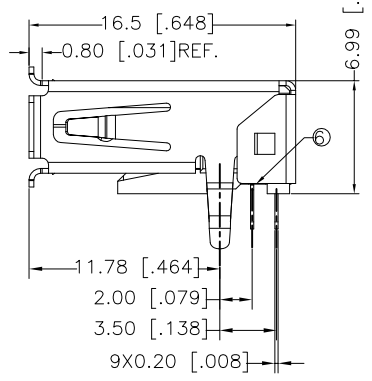
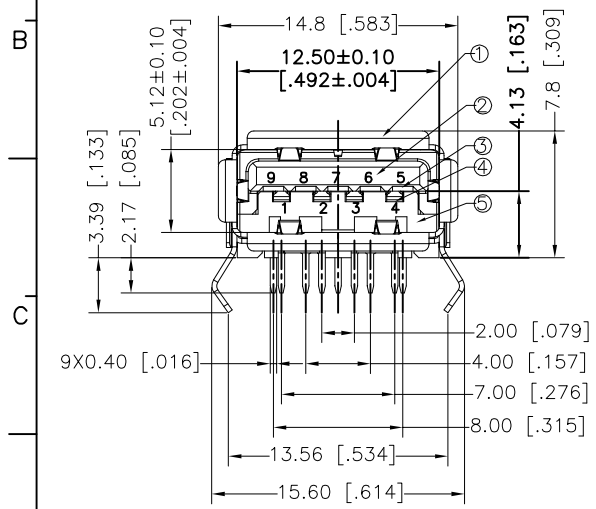
REV.	ECN. NO.	APPD.
A	BC-10-0084192	Adward



RECESSED MOUNTING CONFIGURATION

NOTES :

1. ELECTRICAL AND MECHANICAL CHARACTERISTICS MEET USB3.0 STANDARD .
2. DIMENSIONS ARE IN MILLIMETERS, BRACKETED DIMENSIONS ARE INCHES EQUIVALENTS.
3. MEET USB3.0 STANDARD SPECIFICATION.
4. RECOMMENED PROCESS:
WAVE SOLDER 260°C,3~5 SECONDS.
5. THE CONNECTOR IS ROHS COMPLIANT AND HALOGEN FREE.



PRODUCT NO.: UEA 1 1 2 * - 4HK1 - 4 H

Series Prefix: USB 3.0 A TYPE

Termination Type: 1: Right Angle Dip

Connector Type: 1: Female

No. of Contact Position: 1: 9 Pos.

Profile Height: 2: 4.13 MM

Halogen Free Code: H: Halogen Free

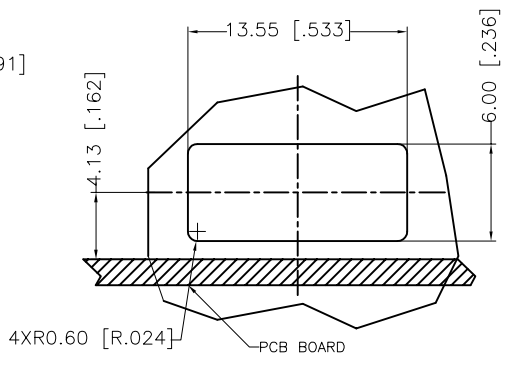
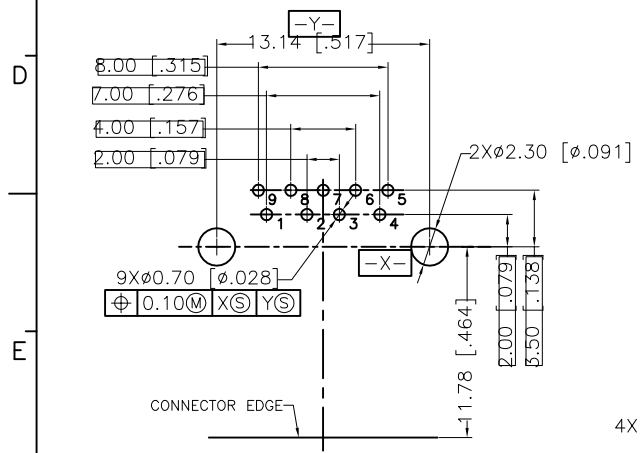
Package Code: 4: Soft Tray Package

Extension Code

Contact Area Plating: C: 30u" Pd/Ni+GOLD FLASH, 1: GOLD FLASH

PIN ASSIGNMENT:

Pin No.	1	2	3	4	5	6	7	8	9
Signal Name	VBUS	D-	D+	GND	SSRX-	SSRX+	GND_DRAIN	SSTX-	SSTX+
Remark	USB2.0 Contact Pin				USB3.0 Contact Pin				



RECOMMENDED P.C.B LAYOUT (COMPONENT SIDE)

PCB THICKNESS: 1.60±0.05 [.063±.002]mm
DEFAULT TOLERANCE: ±0.05 [.002]

MOUNTING PANEL CUTOUT (INTERNAL SIDE)

NO.	DESCRIPTION	QTY.	MATERIAL	TREATMENT
⑥	ORGANIZER	1	THERMOPLASTIC UL 94V-0	MOLDED COLOR: BLUE(PANTONE:PANTONE 300C).
⑤	FRAME	1	THERMOPLASTIC UL 94V-0	MOLDED COLOR: BLUE(PANTONE:PANTONE 300C).
④	USB2 CONTACT	4	COPPER ALLOY	GOLD FLASH OVER 30u"Pd/Ni or GOLD FLASH AT CONTACT AREA, LEAD FREE TIN ALLOY AT TERMINATION, NICKEL UNDERPLATING OVER ALL.
③	USB3 CONTACT	5	COPPER ALLOY	
②	INNER INSULATOR	1	THERMOPLASTIC UL 94V-0	MOLDED COLOR: BLUE(PANTONE:PANTONE 300C).
①	SHELL	1	STAINLESS STEEL	NICKEL PLATED OVERALL, KINK WITH LEAD FREE TIN ALLOY.

X.±	X°.±	UNITS	mm[inch]	NAME(INTENDED USE)	FOXCONN HON HAI PRECISION IND. CO.,LTD. TAIPEI, TAIWAN, R.O.C.
.X± 0.38[.010]	.X°.±	MAT'L	N/A	CUSTOMER	
.XX± 0.25[.010]	.XX°.±	FINISH	N/A	PART NO.(INTENDED USE)	TITLE:
.XXX±	.XXX°.±	Q'TY	N/A	UEA1112*-4HK1-4H	USB3.0 SINGLE RIGHT ANGLE
THESE DRAWINGS AND SPECIFICATIONS ARE THE PROPERTY OF HON HAI PRECISION IND. CO., LTD. AND SHALL NOT BE REPRODUCED, COPIED OR USED IN ANY MANNER WITHOUT THE PRIOR WRITTEN CONSENT OF HON HAI PRECISION IND. CO., LTD.				APPD: Adward Zheng 8/04'10	DWG NO.: 327-0000-2042
				CHKD: Jesse Wang 8/04'10	SCALE SHEET REV.
				DR: Bin.Guo 8/04'10	N/A 1/1 A

X-ON Electronics

Largest Supplier of Electrical and Electronic Components

Click to view similar products for [USB Connectors](#) category:

Click to view products by [Foxconn](#) manufacturer:

Other Similar products are found below :

[950](#) [A-USB A-LP-SMT-C](#) [A-USB B-TOP-C](#) [MUSBA511N5](#) [MUSBC111M5](#) [MUSBD11135](#) [17-200721](#) [217450-1](#) [KMBVX-TH-5S-B30](#)
[896-30-004-00-000000](#) [KUSBX-AS2N-W](#) [KUSBX-SMT2AP1S-W30](#) [935](#) [957](#) [30-498-6](#) [SK-60A-2](#) [1734082-1](#) [30-1574](#) [30-470](#) [30-489](#) [30-](#)
[541](#) [30-572-3](#) [A-USB A-2P-C](#) [MIKROE-1451](#) [USBFTV2PEM2G](#) [USBFTVSCCG](#) [4689-1](#) [1-1734084-2](#) [MUSBC11135](#) [USBF21ZNSCC](#)
[USBBFTV6ZC](#) [MUSBB151341](#) [10135326-001LF](#) [M9177/3-1](#) [TJ-105](#) [USB-A-S-F-B-VT](#) [4198](#) [690-024-633-031](#) [UB-20PMFP-LC7001](#)
[USBFTVC6MRG](#) [UA-20BMFA-SL8001](#) [17-200011](#) [USBFTVC7ZC](#) [UB-20AFMM-LL7A01](#) [USBFTVC2MN](#) [CAP-WCCMLPB1](#) [1310-](#)
[1031-01](#) [2041386-1](#) [2274475-3](#) [UB-20BMFA-SL8001](#)