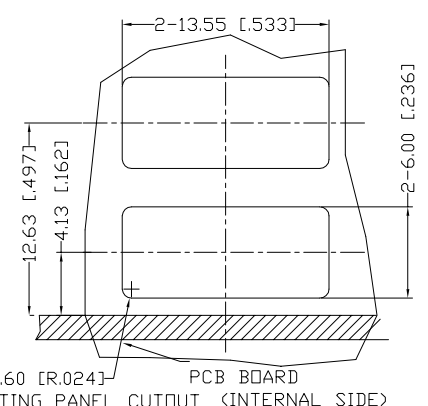
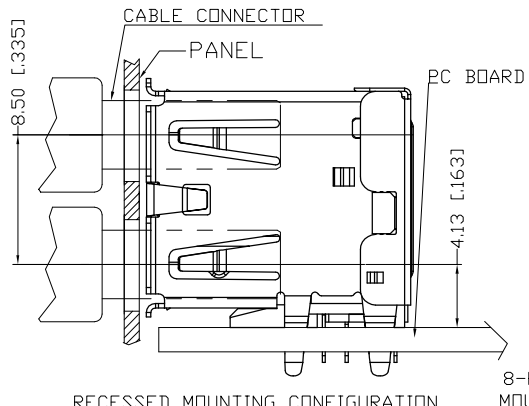
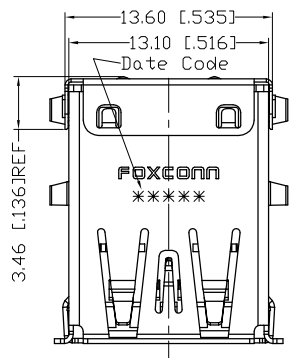


REV.	ECN. NO.	APPD.
X1	12/04'09	ADWARD ZHENG



PRODUCT NO.: UEA 1 1 2 C - 8HS6 - 4 F

Series Prefix
UEA: USB 3.0 A TYPE

Termination Type
1: Right Angle Type

Connector Type
1: Female

No. of Contact Position
1: 9 Pos.

Profile Height
2: 4.13 mm

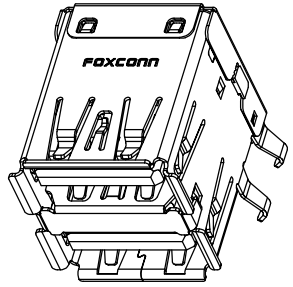
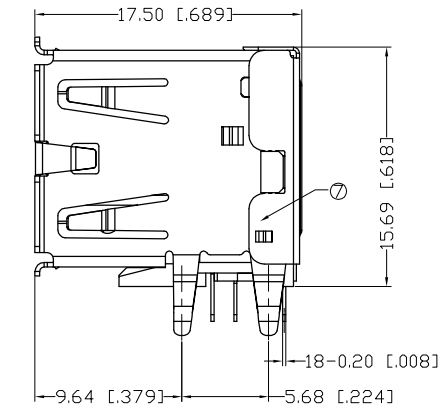
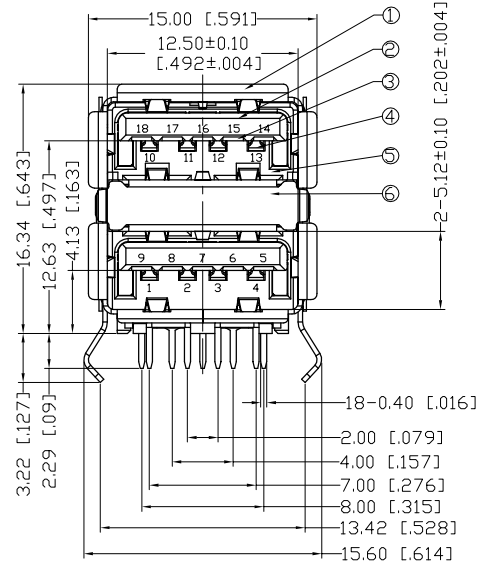
Pb Free Code
F: Pb Free

Package Code
4: Soft Tray Package

Extension Code

Contact Area Plating
C: 30u" Pd/Ni + Gold Flash

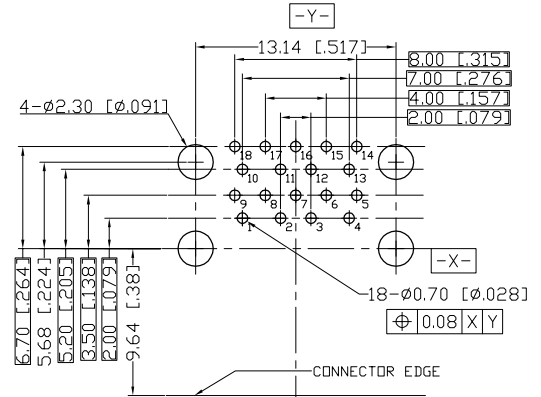
- NOTES :
- ELECTRICAL AND MECHANICAL CHARACTERISTICS MEET USB3.0 STANDARD.
 - DIMENSIONS ARE IN MILLIMETERS, BRACKETED DIMENSIONS ARE INCHES EQUIVALENTS.
 - MEET USB3.0 STANDARD SPECIFICATION.
 - RECOMMENED PROCESS: WAVE SOLDER 260°C, 3~5SECONDS.
 - THE CONNECTOR IS ROHS COMPLIANT AND HALOGEN FREE.
 - RECOMMENDED PCB THICKNESS: 1.60±0.05[.063±.002]mm



PIN ASSIGNMENT:

Pin No.	1	2	3	4	5	6	7	8	9
Pin No.	10	11	12	13	14	15	16	17	18
Signal Name	VBUS	D-	D+	GND	STDA_SSRX-	STDA_SSRX+	GND_DRAIN	STDA_SSTX-	STDA_SSTX+
Remark	USB2 Contact Pin					USB3 Contact Pin			

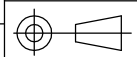
8	INNER INSULATOR	1	THERMOPLASTIC UL 94V-0	MOLDED COLOR:BLUE(PANTONE:300C)
7	REAR SHELL	1	STAINLESS STEEL	CLEAN
6	FINGER	1	STAINLESS STEEL	CLEAN
5	FRAME	1	THERMOPLASTIC UL 94V-0	MOLDED COLOR:BLUE(PANTONE:300C)
4	USB2 CONTACT	8	COPPER ALLOY	GOLD FLASH OVER 30u" Pd/Ni AT CONTACT AREA, LEAD FREE TIN ALLOY AT TERMINATION, NICKER UNDERPLATING OVER ALL
3	USB3 CONTACT	10	COPPER ALLOY	UNDERPLATING OVER ALL
2	INNER INSULATOR	1	THERMOPLASTIC UL 94V-0	MOLDED COLOR:BLUE(PANTONE:300C)
1	FRONT SHELL	1	STAINLESS STEEL	NI PLATED OVER ALL, KINK WITH LEAD FREE TIN ALLOY
NO.	DESCRIPTION	QTY.	MATERIAL	TREATMENT



RECOMMENDED P.C.B LAYOUT (COMPONENT SIDE)
T=1.6±0.05[0.063±0.02]mm, DEFAULT TOLERANCE: ±0.05[.002]

X.±	X°.±	UNITS	mm[inch]	NAME(INTENDED USE)	FOXCONN HON HAI PRECISION IND. CO.,LTD. TAIPEI, TAIWAN, R.O.C.
.X± 0.38[.010]	.X°.±	MAT'L	N/A	CUSTOMER	
.XX± 0.25[.010]	.XX°.±	FINISH	N/A	PART NO.(INTENDED USE)	TITLE: DOUBLE SHORT USB 3.0 A TYPE
.XXX±	.XXX°.±	Q'TY	N/A	UEA1112C-8HS6-4F	DWG NO.:
				APPD: Andy Yao 12/04'09	327-0000-2137
				CHKD: Hill He 12/04'09	SCALE
				DR: Rainy shen 12/04'09	SHEET
					REV.
					N/A
					1/1
					X1

THESE DRAWINGS AND SPECIFICATIONS ARE THE PROPERTY OF HON HAI PRECISION IND. CO., LTD. AND SHALL NOT BE REPRODUCED, COPIED OR USED IN ANY MANNER WITHOUT THE PRIOR WRITTEN CONSENT OF HON HAI PRECISION IND. CO., LTD.



X-ON Electronics

Largest Supplier of Electrical and Electronic Components

Click to view similar products for [USB Connectors](#) category:

Click to view products by [Foxconn](#) manufacturer:

Other Similar products are found below :

[950](#) [MUSBD11135](#) [17-200721](#) [217450-1](#) [KMBVX-TH-5S-B30](#) [KUSBX-AS2N-W](#) [KUSBX-SMT2AP1S-W30](#) [935](#) [957](#) [30-498-6](#) [SK-60A-2](#)
[1734082-1](#) [30-470](#) [30-489](#) [30-541](#) [MIKROE-1451](#) [USBFTVSCCG](#) [1-1734084-2](#) [10135326-001LF](#) [4198](#) [USB-A-D-VT](#) [USB-A-S-RA-](#)
[TSMT](#) [1310-1023-02](#) [690-024-633-031](#) [UB-20PMFP-LC7001](#) [17-200011](#) [UB-20AFMM-LL7A01](#) [1040870124](#) [CAP-WCCMLPB1](#) [CAP-](#)
[WCCMLPC1](#) [2274475-3](#) [UB-20BMFA-SL8001](#) [914-614A2025S10200](#) [USB3FTV7SAGF059](#) [ZX40-B-5S-1500-STDA\(30\)](#) [GSB3116344HR](#)
[USB3FTV2SAZNF459](#) [U221-041N-1WVS62-F5D](#) [HYCW153-USBD05-500B](#) [HYCW219-USBD05-075B](#) [HYCW148-USBD05-117B](#)
[HYCW149-USBD05-740B](#) [HYCW204-USBD05-108B](#) [HYCW214-USBA04-113B](#) [HYCW213-USBA04-113B](#) [UB-20AMFM-SL7A01](#)
[KMMX-BSMT35S-1-B30TR](#) [2345986-1](#) [10082141-N340LF](#) [10117836-011LF](#)