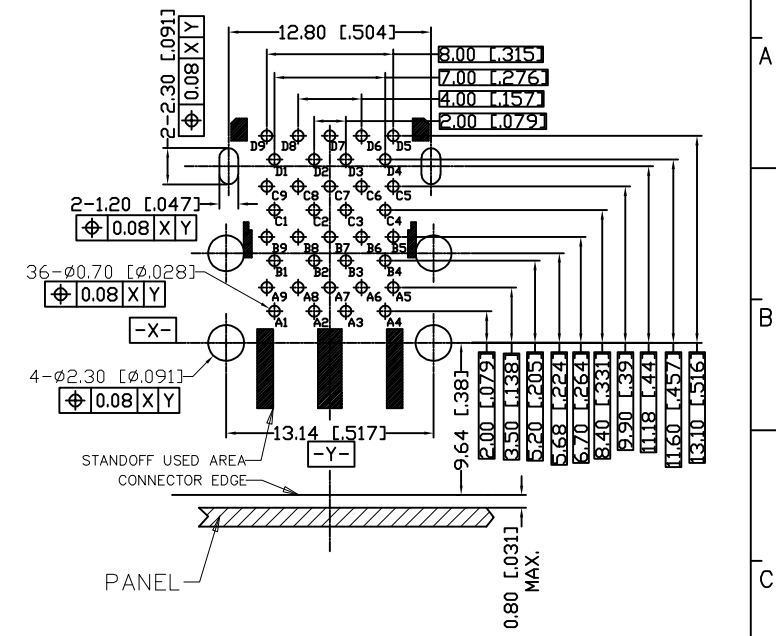
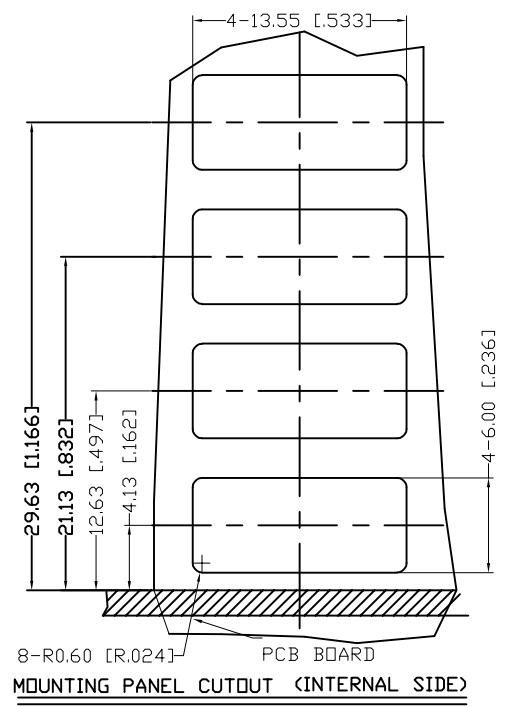
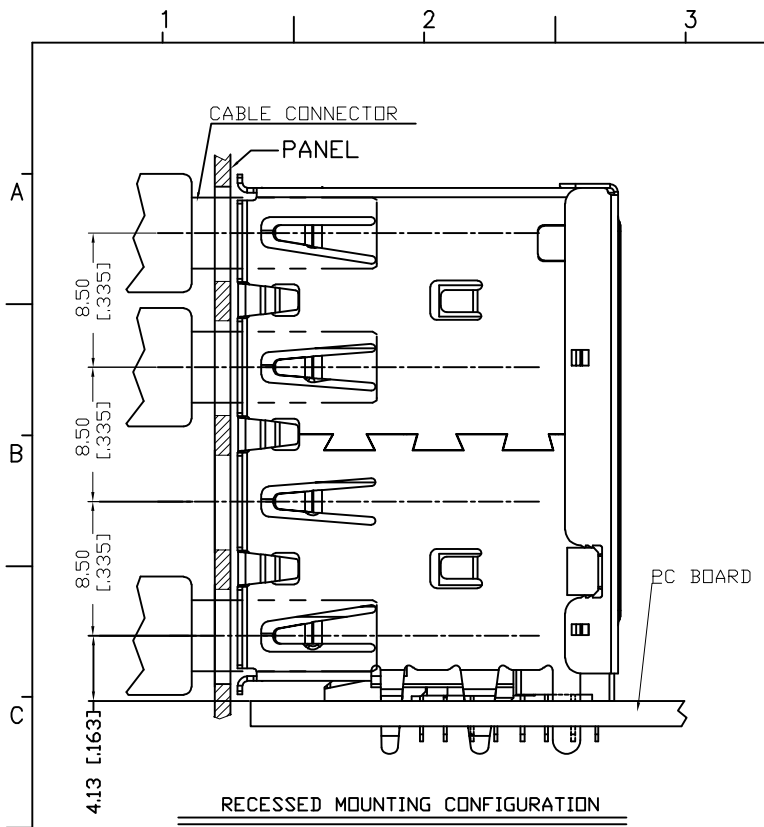


SEE SHEET 1



RECOMMENDED P.C.B LAYOUT (COMPONENT SIDE)
 $T=1.6\pm0.05[0.063\pm0.02]mm$, DEFAULT TOLERANCE: $\pm0.05[0.002]$

PRODUCT NO.: UEA 1 1 4 C - Q416Q - 4 F

Series Prefix _____
 UEA: USB 3.0 A TYPE

Termination Type _____
 1: Right Angle Type

Connector Type _____
 1: Female

No. of Contact Position _____
 4: 36 Pos.

Pb Free Code _____
 F: Pb Free

Package Code _____
 4: Soft Tray Package

Extension Code _____

Contact Area Plating _____
 C: 30u" Pd/Ni +
 1u" Min. Gold Flash

X. ±	X*. ±	UNITS mm[inch]	NAME (INTENDED USE) CUSTOMER	 FOXCONN INTERCONNECT TECHNOLOGY LIMITED.						
.X ±0.38[.015]	.X* ±	MAT'L	PART NO. (INTENDED USE) UEA114C-Q416Q-4F							
.XX ±0.25[.010]	.XX* ±	N/A	APPD: Davy Bu 9/13'18	CLASS: <input type="checkbox"/> CONFIDENTIAL <input type="checkbox"/> SECRET <input checked="" type="checkbox"/> GENERAL TITLE: QUADUPLE STACKED USB 3.0 A TYPE DWG NO: 327-0000-****						
.XXX ±	.XXX* ±	FINISH N/A	CHKD: Frank Gong 9/13'18	<table border="1"> <tr> <td>SCALE</td> <td>SHEET</td> <td>REV.</td> </tr> <tr> <td>N/A</td> <td>2/2</td> <td>C</td> </tr> </table>	SCALE	SHEET	REV.	N/A	2/2	C
SCALE	SHEET	REV.								
N/A	2/2	C								
THESE DRAWINGS AND SPECIFICATIONS ARE THE PROPERTY OF FOXCONN INTERCONNECT TECHNOLOGY LIMITED, AND SHALL NOT BE REPRODUCED COPIED OR USED IN ANY MANNER WITHOUT THE PRIOR WRITTEN CONSENT OF FOXCONN INTERCONNECT TECHNOLOGY LIMITED.			DR: Hardy Yang 9/13'18							

X-ON Electronics

Largest Supplier of Electrical and Electronic Components

Click to view similar products for [USB Connectors](#) category:

Click to view products by [Foxconn](#) manufacturer:

Other Similar products are found below :

[950](#) [MUSBD11135](#) [17-200721](#) [217450-1](#) [KMBVX-TH-5S-B30](#) [KUSBX-AS2N-W](#) [KUSBX-SMT2AP1S-W30](#) [935](#) [957](#) [30-498-6](#) [SK-60A-2](#)
[1734082-1](#) [30-470](#) [30-489](#) [30-541](#) [MIKROE-1451](#) [USBFTVSCCG](#) [1-1734084-2](#) [10135326-001LF](#) [4198](#) [USB-A-D-VT](#) [USB-A-S-RA-](#)
[TSMT](#) [1310-1023-02](#) [690-024-633-031](#) [UB-20PMFP-LC7001](#) [17-200011](#) [UB-20AFMM-LL7A01](#) [1040870124](#) [CAP-WCCMLPB1](#) [CAP-](#)
[WCCMLPC1](#) [2274475-3](#) [UB-20BMFA-SL8001](#) [914-614A2025S10200](#) [USB3FTV7SAGF059](#) [ZX40-B-5S-1500-STDA\(30\)](#) [GSB3116344HR](#)
[USB3FTV2SAZNF459](#) [U221-041N-1WVS62-F5D](#) [HYCW153-USBD05-500B](#) [HYCW219-USBD05-075B](#) [HYCW148-USBD05-117B](#)
[HYCW149-USBD05-740B](#) [HYCW204-USBD05-108B](#) [HYCW214-USBA04-113B](#) [HYCW213-USBA04-113B](#) [UB-20AMFM-SL7A01](#)
[KMMX-BSMT35S-1-B30TR](#) [2345986-1](#) [10082141-N340LF](#) [10117836-011LF](#)