

REV.	ECN NO.	APPD.
A	BC-13-0061303	ADWARD

NOTES:

- 1-ELECTRICAL CHARACTERISTIC:
 - 1-1-1. CONTACT CURRENT RATING: 1.0 A MAX.
 - 1-1-2. CONTACT RESISTANCE: 50 MΩMS MAX.
 - 1-1-3. INSULATION RESISTANCE: 100 MΩMS MIN. INITIAL AT 100 VDC, 50 MΩMS MIN. AFTER TEST AT 100 VDC.
- 1-2-MECHANICAL CHARACTERISTIC:
 - 1-2-1. MATING DURABILITY: 5000 CYCLES.
 - 1-2-2. PLUG INSERTION FORCE: 3.5 Kgf MAX.
 - 1-2-3. PLUG EXTRACTION FORCE: 0.7 Kgf MIN INITIAL, 0.3 Kgf MIN AFTER LIFE CYCLE.
- 1-3. ENVIRONMENTAL:
 - 1-3-1. OPERATION: -30°C TO +85°C.
 2. RECOMMENDED PCB THICKNESS: 1.00±0.05 [L039±002].
 3. RECOMMENDED PROCESS: IR REFLOW, PEAK UP TEMPERATURE 230°C~250°C, 20s~40s.
 4. ROHS COMPLIANT.

PRODUCT NO.:

U H S 1 5 4 3 - B W 1 1 - 7 F

- SERIES PREFIX: MINI USB
- TERMINATION TYPE: 5-SMT
- CONTACT DESIGN TYPE: 1-FEMALE
- NO. OF CONTACT POS.: 5=5 POS.
- LEAD FREE CODE: LEAD FREE PLATING AT TAIL
- PACKAGE CODE: 7-TAPE & REEL
- EXTENSION CODE: CONTACT PLATING
- CONTACT PLATING: 3-30μ GOLD
- PROFILE HEIGHT: 4-3.95mm

ITEM	DESC.	QTY	MATERIAL	TREATMENT	REMARK
1	SHELL	1	BRASS	NICKEL UNDERPLATING	
2	HOUSING	1	HI-TEMPERATURE THERMOPLASTIC UL 94V-0	MOLDED COLOR: BLACK	
3	CONTACT	5	COPPER ALLOY	GOLD PLATING AT CONTACT MATING AREA NICKEL UNDERPLATING	
4	MYLAR	1	POLYESTER FILM	N/A	

UNITS	NAME(EXTENDED USE)	FOXCORN	HON HAI PRECISION IND. CO.,LTD.	TAIPEI, TAIWAN, R.O.C.
M	[INCHES]	CUSTOMER		
X ±	X . .			
X ±	0.30 [L012]			
XX . .	X . .			
XX ±	0.20 [L008]			
XXX ±	.XXX .			

THESE DRAWINGS AND SPECIFICATIONS ARE THE PROPERTY OF HON HAI PRECISION IND. CO., LTD. AND SHALL NOT BE REPRODUCED, COPIED OR USED IN ANY MANNER WITHOUT THE PRIOR WRITTEN CONSENT OF HON HAI PRECISION IND. CO., LTD.

DR: LIN JIE 8/2013

CHKD: F.H SHU 8/2013

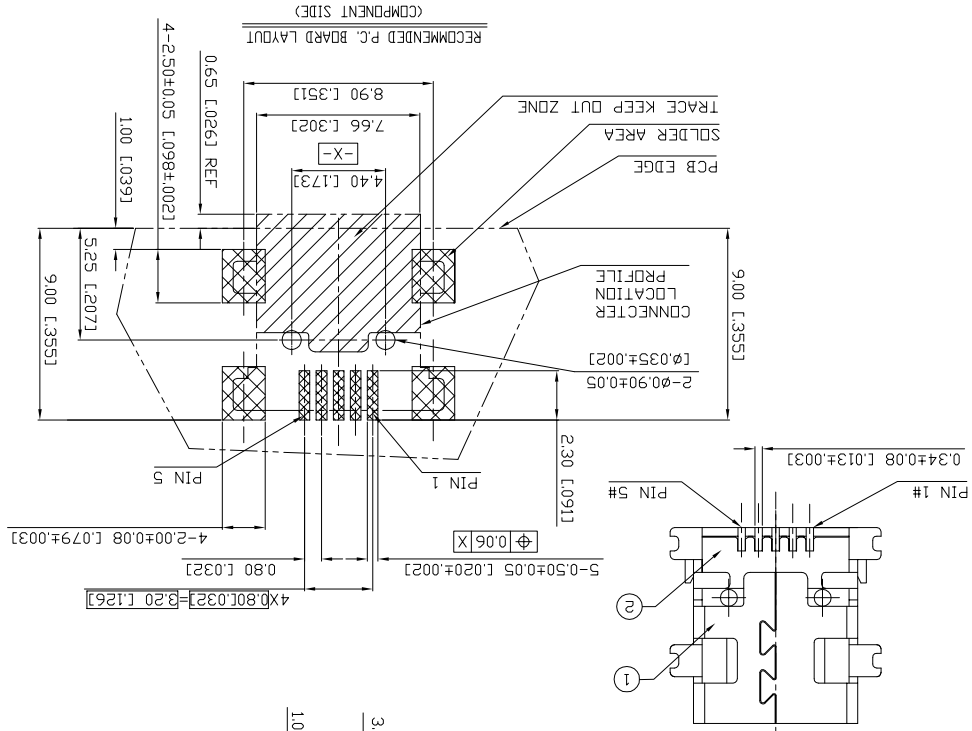
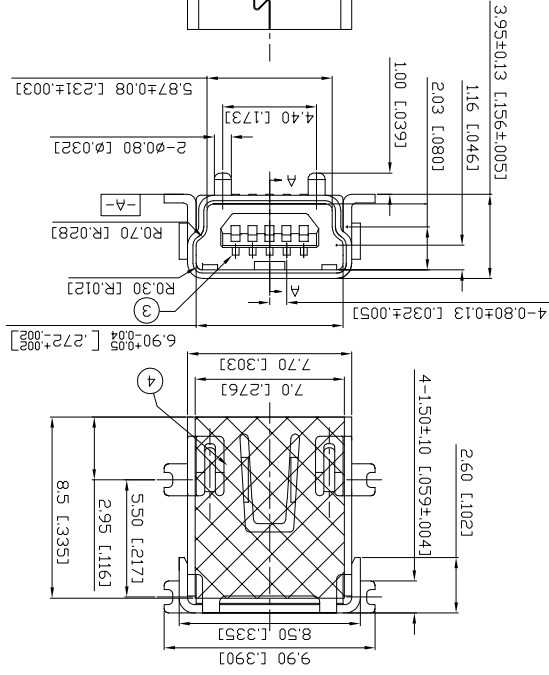
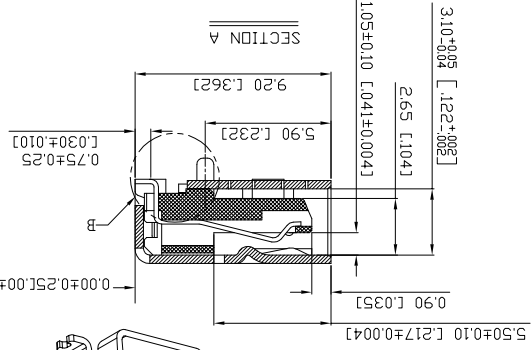
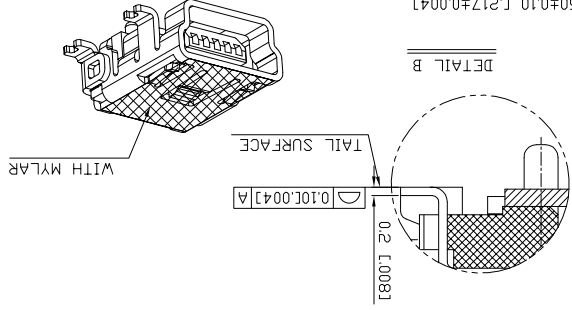
APPD: DEAN Zhong 8/2013

DWG NO.: 327-0000-2723

TITLE: MINI-USB B TYPE RECEPTACLE CONNECTOR

SCALE: 1/1

SHEET: A



X-ON Electronics

Largest Supplier of Electrical and Electronic Components

Click to view similar products for [USB Connectors](#) category:

Click to view products by [Foxconn](#) manufacturer:

Other Similar products are found below :

[10033527-N3112MLF](#) [17-210561](#) [GMCB05B11124H1EU](#) [17-200931](#) [65-647-8-BK-BU](#) [690-010-295-484](#) [73725-1191BLF](#) [950](#) [E8144-B01021-L](#) [A-USB A-LP-SMT-C](#) [A-USB B-TOP-C](#) [MUSBA511N5](#) [MUSBB15131](#) [MUSBC111M5](#) [MUSBD11135](#) [217450-1](#) [CA 6 W LD](#)
[896-30-004-00-000000](#) [KUSBVX-BS1N-W30](#) [KUSBX-AP-KIT-SCBLK](#) [KUSBX-AS2N-W](#) [KUSBX-SMT2AP1S-W](#) [KUSBX-SMTAS1NBTR](#) [KUSBX-SMTBS1NBTR](#) [30-498-6](#) [SK-60A-2](#) [17-200261](#) [17-210051](#) [1734082-1](#) [FK-37-32SL](#) [30-1574](#) [30-470](#) [30-489](#) [30-541](#) [30-572-3](#) [30-9503](#) [M9177/2-1](#) [MAB 5 S](#) [MIKROE-1451](#) [33UBBR-04SW11R](#) [USBFTV2PEM2G](#) [USBFTVC6ZN](#) [USBFTVSCCG](#)
[KUSBX-AS2N-W30](#) [KUSBX-SLAS1N-W](#) [KUSBX-SLAS1N-W30](#) [1-1734084-2](#) [E8110-001-01](#) [MUSBC11135](#) [NK-27-32SL](#)