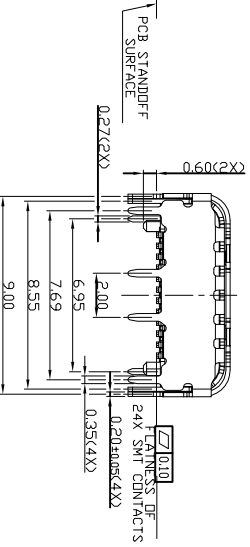
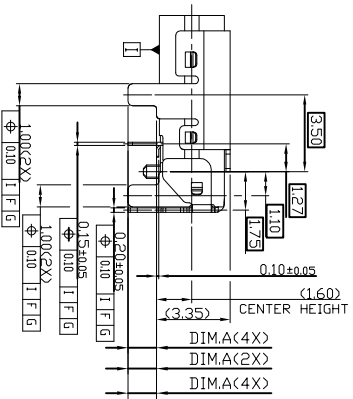
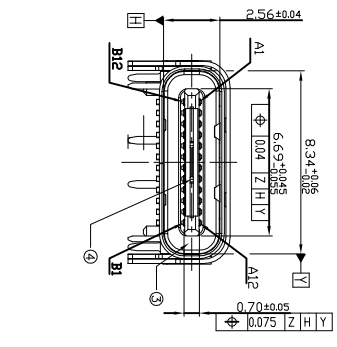
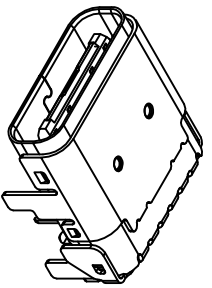
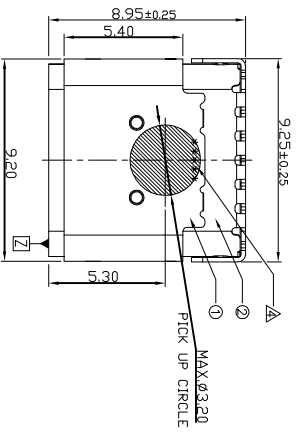
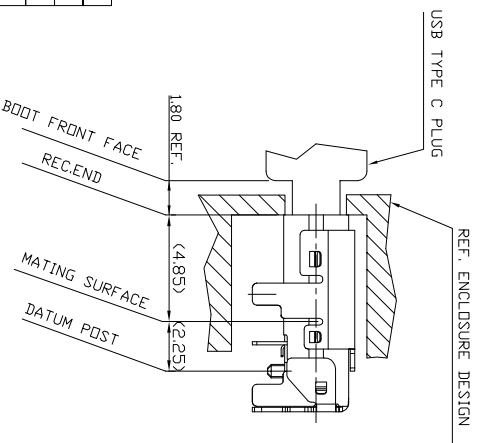
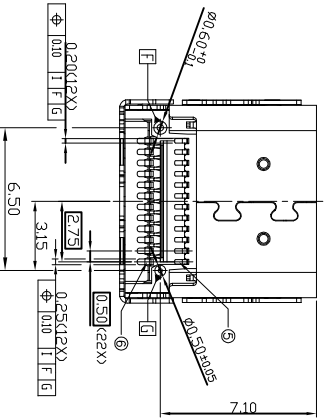
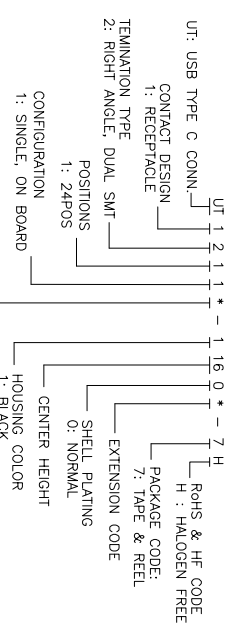


IDEAS GENERATED DRAWING. DON'T CHANGE BY HAND.



- NOTE: UNLESS OTHERWISE SPECIFIED
- DIMENSIONS SHALL BE INTERPRETED PER ASME Y14.5M-2009.
 - ELECTRICAL CHARACTERISTIC:
 - CONTACT CURRENT RATING: VBUS AND GND CONTACTS RATED AT 1.25A EA., PARALLELED FOR A TOTAL OF 5A.
 - LOW LEVEL CONTACT RESISTANCE: 50mohms MAX. AFTER ENVIRONMENT TEST.
 - MECHANICAL CHARACTERISTICS:
 - INSERTION FORCE: 5~20N.
 - EXTRACTION FORCE: 8~20N.
 - DURABILITY: 10,000 MATING CYCLES.
 - OPERATING TEMPERATURE: -55°C TO +85°C.
 - THE DATE CODE IS LOCATED APPROXIMATELY AS SHOWN.
 - PLEASE CONTACT FOXCONN SALES REPRESENTATIVE TO VERIFY PRODUCT DETAILS & AVAILABILITY.
 - PRODUCT NO. MATRIX :



A12	GND	B1	GND
A11	SSRXp2	B2	SSTXp2
A10	SSRXn2	B3	SSTXn2
A9	VBUS	B4	VBUS
A8	SBU1	B5	CC2
A7	Dn1	B6	Dp2
A6	Dp1	B7	Dn2
A5	CC1	B8	SBU2
A4	VBUS	B9	VBUS
A3	SSTXn1	B10	SSRXn1
A2	SSTXp1	B11	SSRXp1
A1	GND	B12	GND
PIN	SIGNAL NAME	PIN	SIGNAL NAME

0.60-0.80	0.70	UT12113-11602-7H
1.20	1.30	UT12113-11601-7H
DIM.B(mm)		P/N

FOXCONN

FOXCONN INTERCONNECT TECHNOLOGY LIMITED

CLASS: □CONFIDENTIAL □SECRET ■GENERAL

TITLE: USB TYPE C,SMT,CH=1.60mm CUSTOMER DRAWING

DWG NO.: 327-0000-3074

SCALE: 1:1

SHEET: 1/3

REV. C

X±0.30	X±	UNITS	mm
X±0.25	X±	MAT'L	
XXX 0.15	XX±	FINISH	
.XXX±0.10	.XXX±	Q'TY	

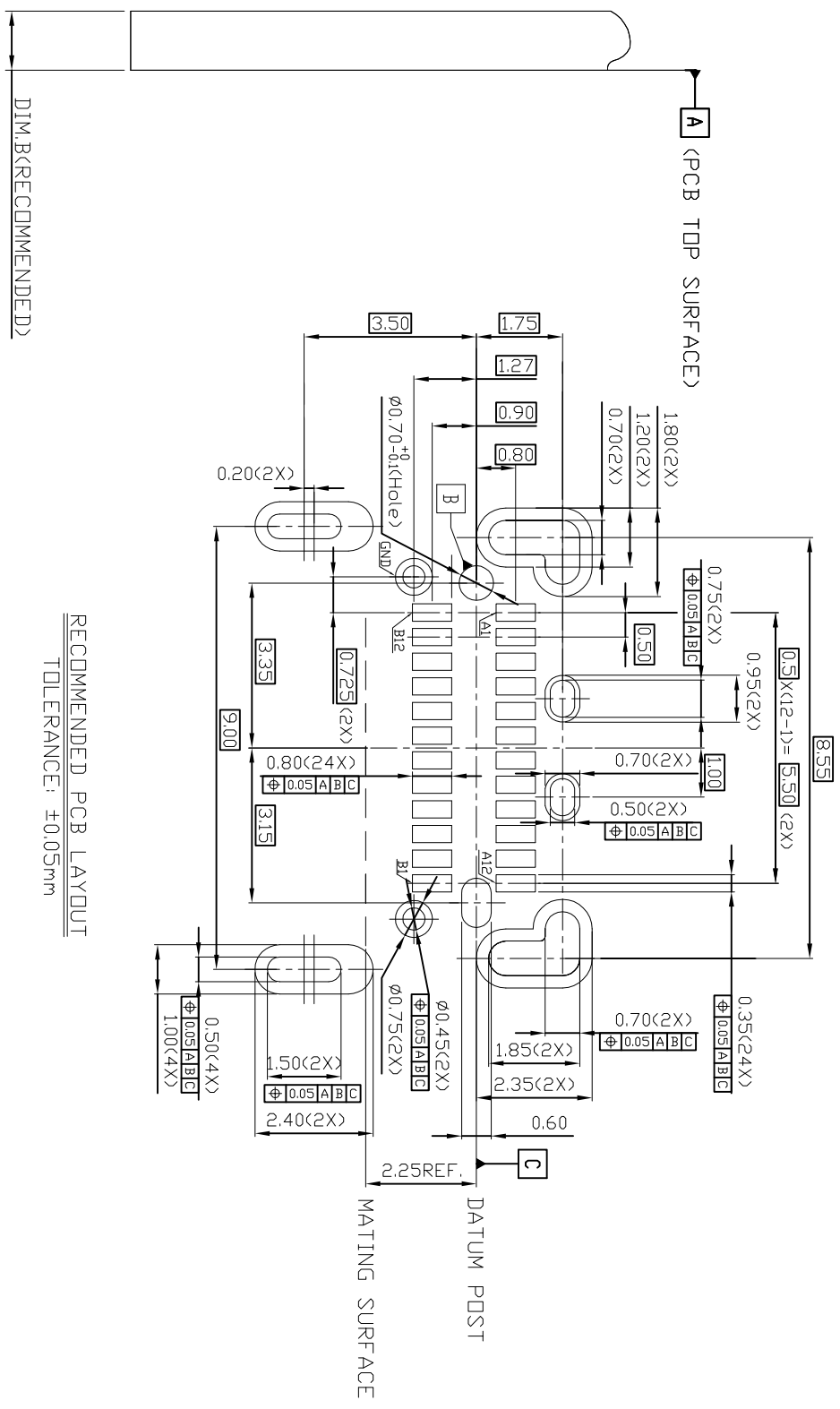
THESE DRAWINGS AND SPECIFICATIONS ARE THE PROPERTY OF FOXCONN INTERCONNECT TECHNOLOGY LIMITED, AND SHALL NOT BE REPRODUCED, COPIED OR USED IN ANY MANNER WITHOUT THE PRIOR WRITTEN PERMISSION OF FOXCONN INTERCONNECT TECHNOLOGY LIMITED.

NAME (INTENDED USE)	USB TYPE C,SMT,CH=1.60mm
PART NO. (INTENDED USE)	UT1211*-1160*-7H
APPD:	Simon Szu
CHKD:	Allen cheng
DRAW:	Jaden Chen 02/10'15

ITEM	DESCRIPTION	Q'TY	MATERIAL
①	TOP SHELL	1	STAINLESS STEEL
②	SHELL	1	STAINLESS STEEL
③	HOUSING	1	THERMAL PLASTIC
④	SHIELDING PLATE	1	STAINLESS STEEL
⑤	BOTTOM CONTACT	12	COPPER ALLOY
⑥	TOP CONTACT	12	COPPER ALLOY

①	TOP SHELL	1	STAINLESS STEEL
②	SHELL	1	STAINLESS STEEL
③	HOUSING	1	THERMAL PLASTIC
④	SHIELDING PLATE	1	STAINLESS STEEL
⑤	BOTTOM CONTACT	12	COPPER ALLOY
⑥	TOP CONTACT	12	COPPER ALLOY
ITEM	DESCRIPTION	Q'TY	MATERIAL
UT1211*-1160*-7H			

REV.	ECN NO.	APPD.



0.60-0.80	0.70	UT12113-11602-7H
1.20	1.30	UT12113-11601-7H

Foxconn®
FOXCONN INTERCONNECT TECHNOLOGY LIMITED

CLASS: CONFIDENTIAL DSECRET ■ GENERAL

TITLE: USB TYPE C;SMT;CH=1.60mm CUSTOMER DRAWING

DWG NO.: 327-0000-3074

SCALE SHEET REV. 1:1 2/3 C

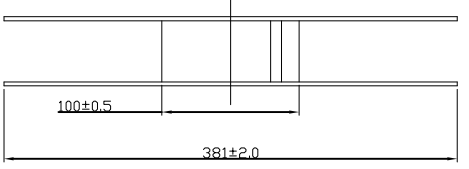
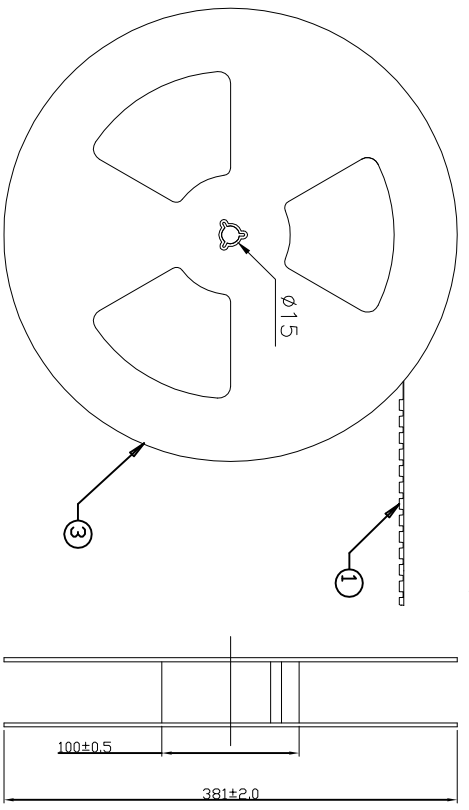
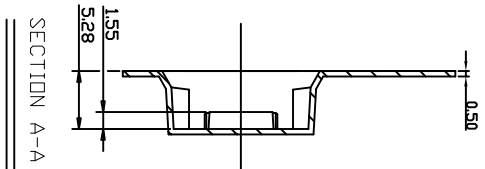
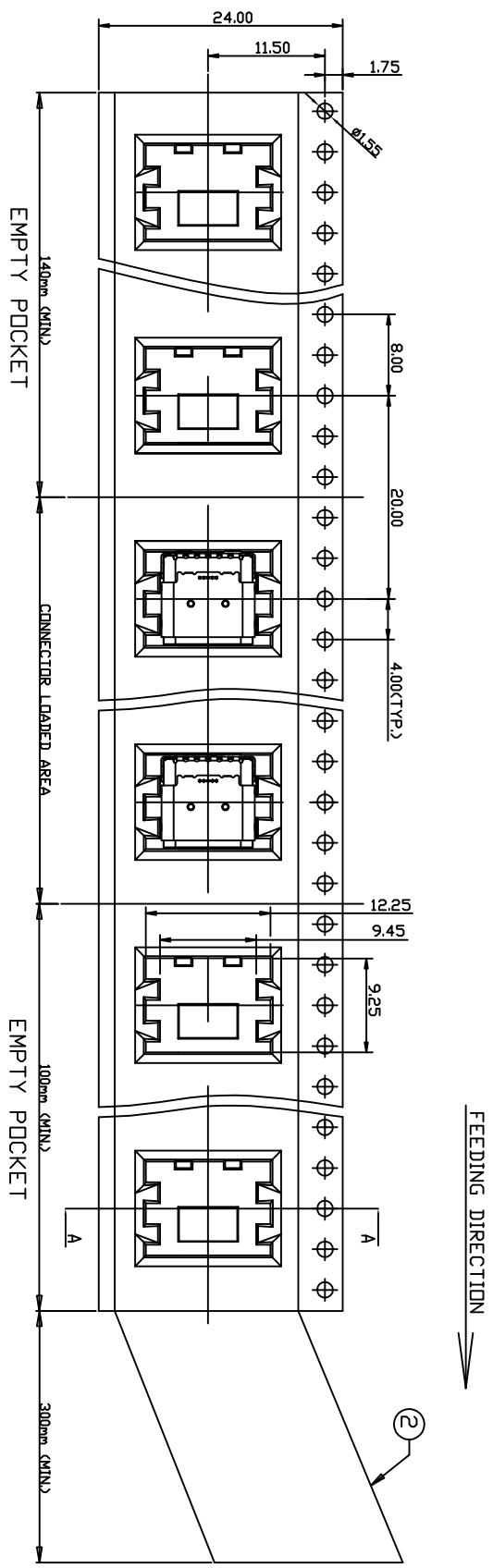
X± 0.30	X±	UNITS	mm
X± 0.25	X±	MAT'L	
XX± 0.15	XX±	FINISH	
.XXX±0.10	.XXX±	Q'TY	

NAME(INTENDED USE)	USB TYPE C;SMT;CH=1.60mm
PART NO.(INTENDED USE)	UT1211*-1160*-7H
APPD:	Simon Szu
CHKD:	Allen cheng
DRAW:	Jaden Chen 02/10'15

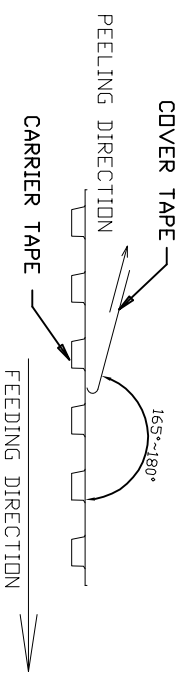
A
B
C
D
E

1
2
3
4
5
6
7
8

REV.	ECN NO.	APPD.



- NOTES:
1. 10 POCKETS HOLE PITCH CUMULATIVE TOLERANCE $\pm 0.20\text{mm}$.
 2. NUMBER OF CONNECTORS : 800 PCS/REEL.
 3. COVER TAPE PEELING STRENGTH : 0.1 KGf MAX. AT 300mm/min.



③	REEL	POLYSTYRENE	
②	COVER TAPE	POLYESTER	
①	CARRIER TAPE	POLYSTYRENE	
ITEM	DESCRIPTION	MATERIAL	REMARK

X.± 0.30	X.±	UNITS	NAME(INTENDED USE)	FOXCONN® FOXCONN INTERCONNECT TECHNOLOGY LIMITED
X.± 0.25	.X.±	MAT'L	USB TYPE C;SMT;CH=1.60mm	
XX± 0.15	.XX.±		PART NO.(INTENDED USE) UT1211*-1160*-7H	
.XXX±0.10	.XXX.±	FINISH	APPD: Simon Szu	
THESE DRAWINGS AND SPECIFICATIONS ARE THE PROPERTY OF FOXCONN INTERCONNECT TECHNOLOGY LIMITED,AND SHALL NOT BE REPRODUCED, COPIED OR USED IN ANY MANNER WITHOUT THE PRIOR WRITTEN PERMISSION OF FOXCONN INTERCONNECT TECHNOLOGY LIMITED.				
	Q'TY		CHKD: Allen cheng	
	DRAW: Jaden Chen 02/10'15			
	DWG NO.: 327-0000-3074		TITLE: USB TYPE C;SMT;CH=1.60mm CUSTOMER DRAWING	
	SCALE 1:2	SHEET 3/3		
	REV. C			

X-ON Electronics

Largest Supplier of Electrical and Electronic Components

Click to view similar products for [Foxconn](#) manufacturer:

Other Similar products are found below :

[3H993921-4M41-02H](#) [UB11123-8Z4-7F](#) [3H993321-4M41-01H](#) [WQ21823-DES1-7F](#) [UB1112C-M7D1-4F](#) [DZ11A51-H8R1-4F](#) [AS0A821-H2RB-7H](#) [AFBR-79EBPZ](#) [DV11201-H5R6-4F](#) [QH11121-DAT1-4F](#) [UT12113-11601-7H](#) [AS0A621-HARN-7H](#) [UEA1112C-4HK1-4H](#) [AS0A621-H2R6-7H](#) [AS0A621-H2S6-7H](#) [AS0B226-S99Q-7H](#) [2EG14917-D2D8-4F](#) [AS0A826-H2RB-7H](#) [AS0BC21-S40BE-7H](#) [3VD51203-3D6A-7H](#) [JPD1030-N521-4F](#) [UEA11121-8FS6-4F](#) [AS0B326-S78N-7F](#)