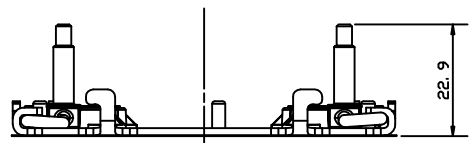
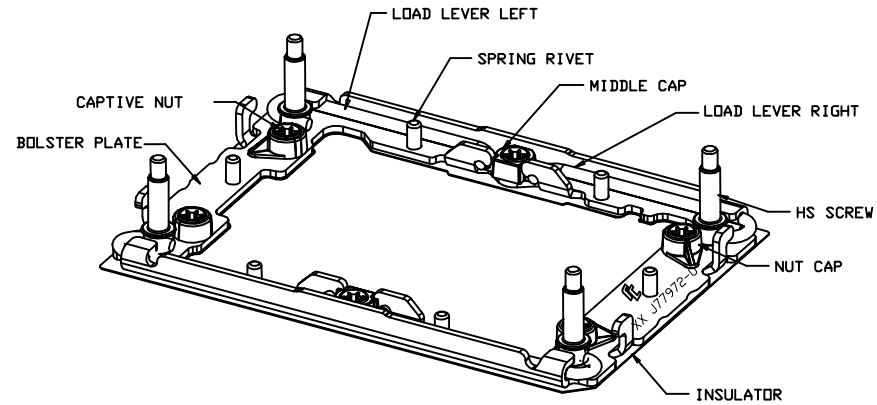
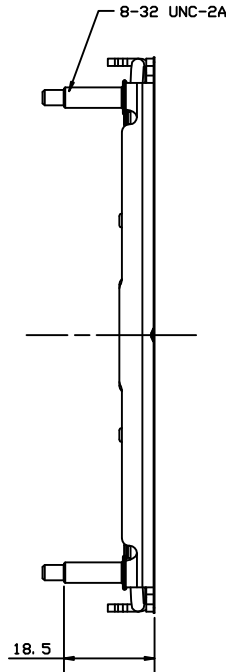
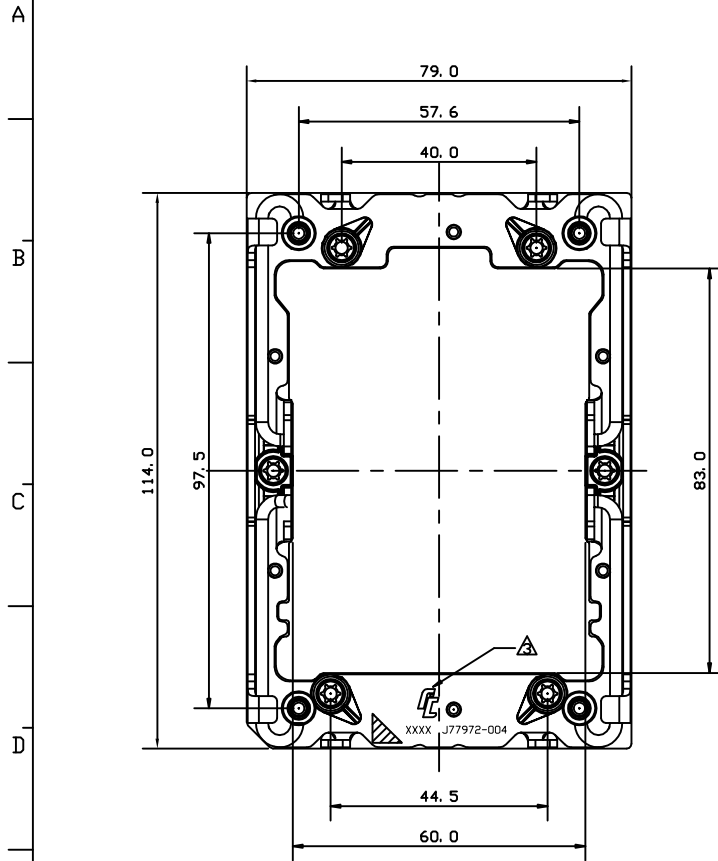


SOLIDWORKS GENERATED DRAWING, DO NOT CHANGE BY HAND.

REV.	ECN. NO.	APPD.
A	BC-19-0051986	Nick Lin

- NOTES:
- ALL DIMENSIONS ARE IN MILLIMETERS.
  - DIMENSIONING AND TOLERANCING PER ASME Y14.5M-1994.
  - 'FIT' LOGO & DATE CODE & 'J77972-004' LOGO ARE LOCATED APPROXIMATELY,
  - MATERIAL:
    - BOLSTER PLATE: STAINLESS STEEL
    - CAPTIVE NUT: CARBON STEEL
    - LOAD LEVER LEFT: STAINLESS STEEL
    - SPRING RIVET: STAINLESS STEEL
    - MIDDLE CAP: THERMOPLASTIC(UL 94V-0)
    - LOAD LEVER LOAD LEVER RIGHT: STAINLESS STEEL
    - HS SCREW: STAINLESS STEEL
    - NUT CAP: THERMOPLASTIC(UL 94V-0)
    - INSULATOR: THERMOPLASTIC(UL VTM-0)
  - HARMFUL MATERIAL CONTROL PLEASE FOLLOW DDC NO. 'EP112'.
  - THE CONCENTRATIONS OF Br AND Cl CAN SATISFY THE REQUIREMENT OF HALOGEN-FREE IN THE DOCUMENT 'EP112'.
  - PLEASE CONTACT FOXCONN SALES REPRESENTATIVE TO VERIFY PRODUCT DETAIL AND AVAILABILITY.



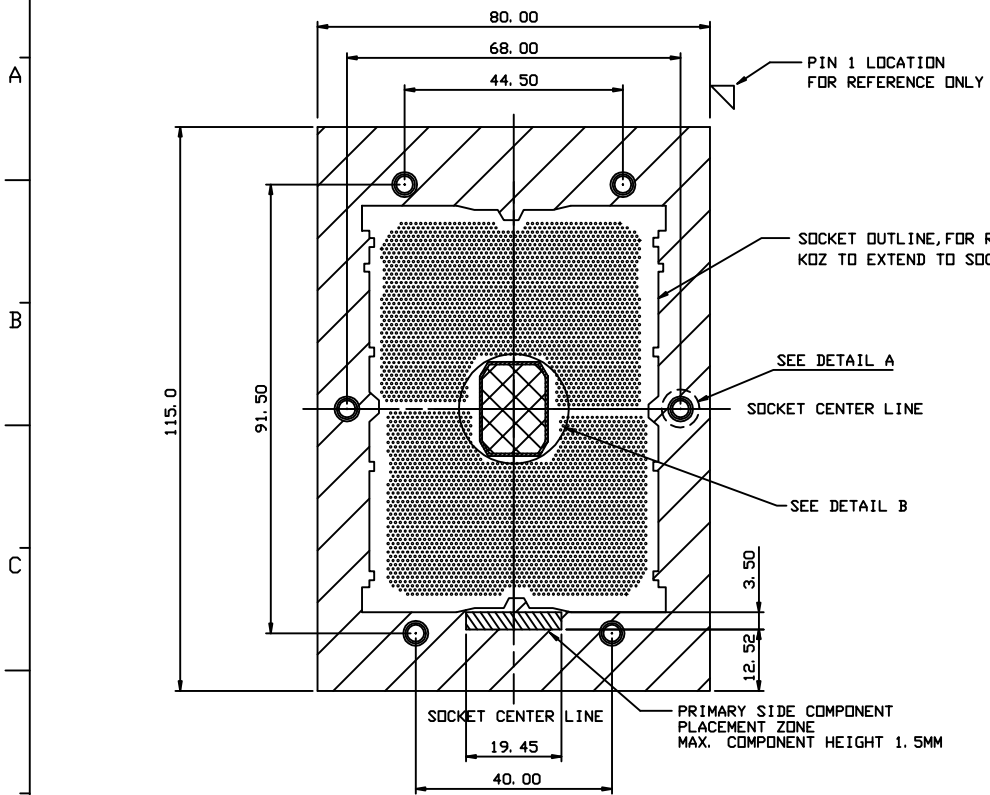
PART NUMBER WNMBL60-0NNK3-EH

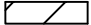




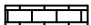
X. ±	X. ° ± 1°	UNITS	mm	NAME (INTENDED USE)	FOXCONN INTERCONNECT TECHNOLOGY LIMITED.
. X ± 0.50	. X ° ±	MAT'L		SOCKET P4 LM	
. XX ± 0.30	. XX ° ±			PART NO. (INTENDED USE)	CLASS: <input type="checkbox"/> CONFIDENTIAL <input type="checkbox"/> SECRET <input checked="" type="checkbox"/> GENERAL
. XXX ±	. XXX ° ±	FINISH		WNMBL60-*NNK*-EH	TITLE: CUSTOMER DRAWING FOR P4 TFLM
THESE DRAWINGS AND SPECIFICATIONS ARE THE PROPERTY OF FOXCONN INTERCONNECT TECHNOLOGY LIMITED AND SHALL NOT BE REPRODUCED COPIED OR USED IN ANY MANNER WITHOUT THE PRIOR WRITTEN CONSENT OF FOXCONN INTERCONNECT TECHNOLOGY LIMITED.				APPD: Nick Lin	DWG NO.: 351-0000-1482
				CHKD: Mac Peng	SCALE SHEET REV.
				DR: Ed Liu 11/08/19	1:1 1/2 A

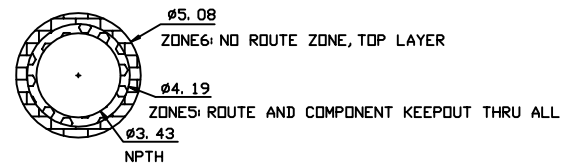
FK2B00065A

SOLIDWORKS GENERATED DRAWING, DO NOT CHANGE BY HAND.

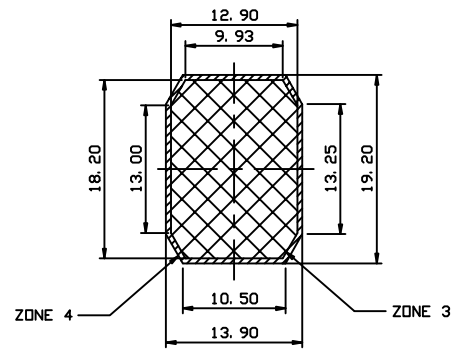
REV.	ECN. NO.	APPD.





-  ZONE 1: BOLSTER PLATE ZONE  
NO OTHER COMPONENT PLACEMENT ALLOWED.  
0.0 MM HEIGHT RESTRICTION.
-  ZONE 2: PRIMARY SIDE COMPONENT PLACEMENT ZONE.  
MAX. COMPONENT HEIGHT OF 1.5MM.
-  ZONE 3:  
SOCKET CAVITY  
1.222MM HEIGHT RESTRICTION
-  ZONE 4:  
SOCKET CAVITY TO SOCKET ZONE  
NO COMPONENT PLACEMENT ALLOWED  
0.0 MM HEIGHT RESTRICTION
-  ZONE 5:  
RD ROUTE ZONE, THROUGH ALL LAYERS
-  ZONE 6:  
NO ROUTE ZONE, TOP LAYER



6X HOLE DETAIL A  
SCALE 5: 1



DETAIL B  
SCALE 2: 1

X. ±	X. ° ± 1°	UNITS mm	NAME (INTENDED USE)	 FOXCONN INTERCONNECT TECHNOLOGY LIMITED.
. X ± 0.50	. X ° ±	MAT'L	SOCKET P4 LM	
. XX ± 0.30	. XX ° ±		PART NO. (INTENDED USE)	CLASS: <input type="checkbox"/> CONFIDENTIAL <input type="checkbox"/> SECRET <input checked="" type="checkbox"/> GENERAL
. XXX ±	. XXX ° ±		FINISH	WNMBL60- *NNK* -EH
THESE DRAWINGS AND SPECIFICATIONS ARE THE PROPERTY OF FOXCONN INTERCONNECT TECHNOLOGY LIMITED AND SHALL NOT BE REPRODUCED, COPIED OR USED IN ANY MANNER WITHOUT THE PRIOR WRITTEN CONSENT OF FOXCONN INTERCONNECT TECHNOLOGY LIMITED.			APPD: Nick Lin	DWG NO.: 351-0000-1482
			CHKD: Mac Peng	SCALE SHEET REV.
			DR: Ed Liu 11/08/19	1: 1 2/2 A

## X-ON Electronics

Largest Supplier of Electrical and Electronic Components

*Click to view similar products for [RF Connector Accessories](#) category:*

*Click to view products by [Foxconn](#) manufacturer:*

Other Similar products are found below :

[89674-0712](#) [FERRULE-174](#) [R141802000](#) [R141842000](#) [R141862000W](#) [R280907000](#) [RFI75-3](#) [AX102907](#) [HP-500](#) [2098-3251-94](#) [KA-81-02](#)  
[KA-81-05](#) [KN-89-12](#) [89674-0805](#) [FERRULE-223](#) [202102-11](#) [R280468000](#) [R280510000](#) [RFI155-1](#) [RFI25-12-D3](#) [RFI25-4-D2](#) [RFI75-12-D2](#)  
[RFI97-14](#) [360HS001M2508M6](#) [4-1532137-4](#) [HRM-514S\(40\)](#) [5-21085-0](#) [111062-0490](#) [112122-SOD-LUG](#) [IPP-2014](#) [RFI95-14-D2](#) [MX-](#)  
[913/U\(45\)](#) [1736-1511-075](#) [RFI75-2-D3](#) [RFI25-3-D3](#) [R280469010](#) [RFI85-4](#) [896110450](#) [660-024M09S5-01](#) [1403137-1](#) [360HB001M2512H](#)  
[360HS001M1716M3](#) [380HS115M2508H3](#) [380HS001M1716M4](#) [FERRULE-316DB](#) [105274-2000](#) [73415-1970](#) [R280755050W](#) [52014041A](#)  
[R447120000](#)