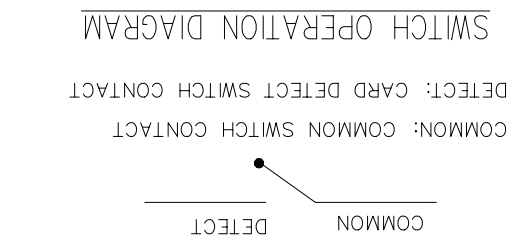
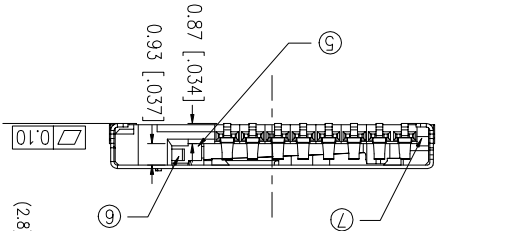
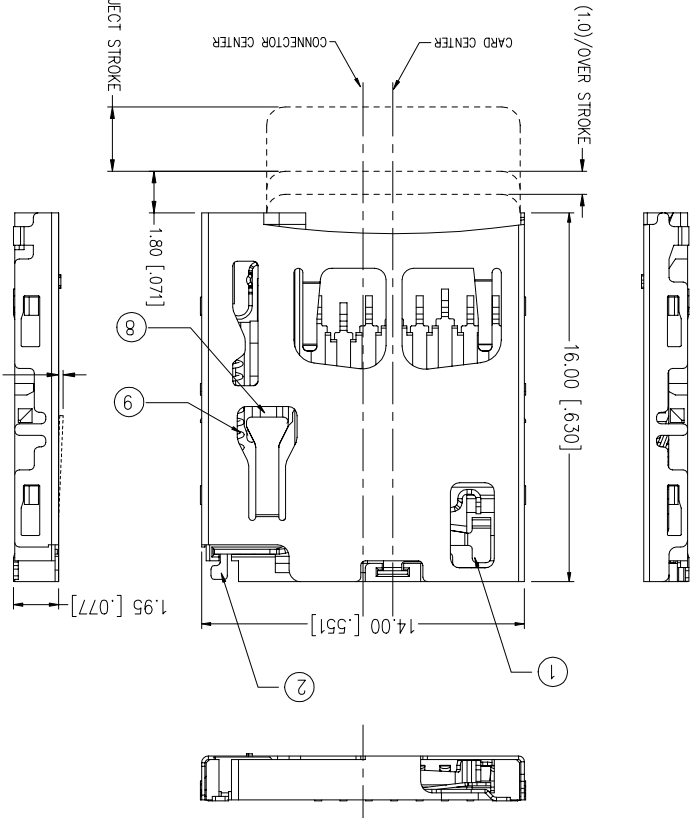
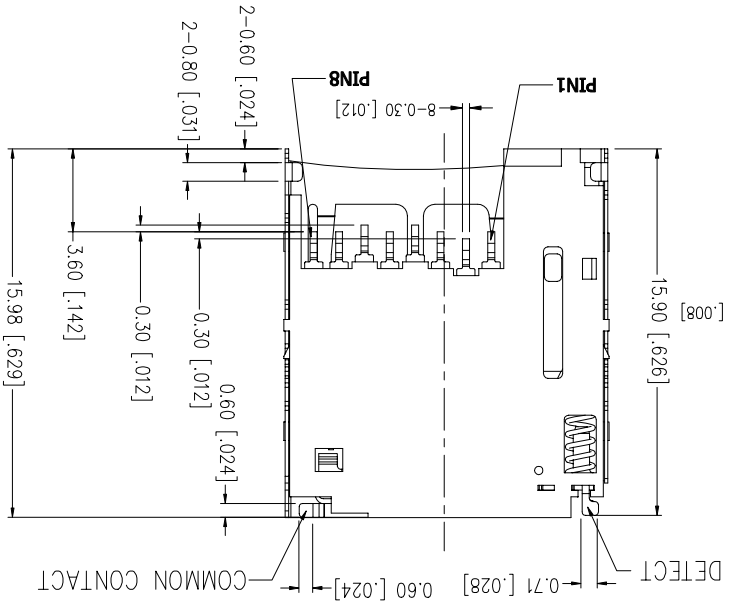
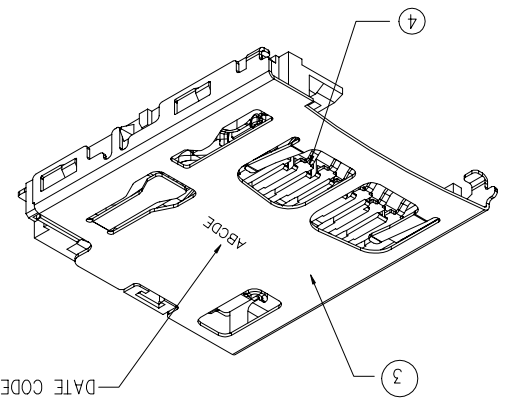


REV.	ECON. NO.	APPD.
A	BC-07-7035323	Wen-Guey Lin
B	BC-07-7062101	Hua Yin
BX1		Hua Yin



DETECT SWITCH	DETECT FUNCTION	DETECT — COMMON
	WITHOUT CARD	OPEN
	CARD INSERTED	CLOSE
	DETECT: CARD DETECT SWITCH CONTACT	

PIN NO.	PIN DEFINE
PIN 1	DATA2
PIN 2	CD/DATA3
PIN 3	CMD
PIN 4	V _{DD}
PIN 5	CLK
PIN 6	V _{SS}
PIN 7	DATA0
PIN 8	DATA1

NO.	DESCRIPTION	Q'TY	MATERIAL	FINISH	REMARK
1	COMMON CONTACT (COM)	11	COPPER ALLOY		SMT AREA : GOLD PLATING CONTACT AREA : GOLD PLATING
2	CARD DETECT CONTACT	1	COPPER ALLOY		LEAD-FREE TIN PLATING AT SOLDER TERMINAL GOLD PLATING OVER CONTACT AREA
3	SHELL	1	COPPER ALLOY		NICKEL UNDERPLATING SMT AREA : GOLD PLATING
4	CONTACT FOR MICRO SD CARD	8	COPPER ALLOY		LEAD-FREE TIN PLATING AT SOLDER TERMINAL GOLD PLATING OVER CONTACT AREA
5	SLIDER	1	HIGH TEMPERATURE THERMOPLASTIC		NICKEL UNDERPLATING COLOR : BLACK
6	CARD LOCK	1	STAINLESS STEEL		CLEAN
7	HOUSING	1	HIGH TEMPERATURE THERMOPLASTIC		COLOR : BLACK
8	CAM FOLLOWER	1	S.W.C.		
9	SPRING	1	S.W.P.		

X. ±	X. ± 1.	UNITS [mm]	MAT'L	N/A	PART NO.(INTENDED USE)	CUSTOMER	HON HAI PRECISION IND. CO.,LTD.
.X ±	.X ±						
.XX ±	.XX ±						
.XXX ±	.XXX ±						
Q'TY	N/A	FINISH	N/A	APPD:	Hua Yin 7/23'08	CHKD:	Kobby Zhao 7/23'08
DR:	F.Y Zhu 7/23'08	THESE DRAWINGS AND SPECIFICATIONS ARE THE PROPERTY OF HON HAI PRECISION IND. CO., LTD. AND SHALL NOT BE REPRODUCED OR USED IN ANY MANNER WITHOUT THE PRIOR WRITTEN CONSENT OF HON HAI PRECISION IND. CO., LTD.					

FOXCONN
HON HAI PRECISION IND. CO.,LTD.
TAIPEI, TAIWAN, R.O.C.

TITLE: MICRO SD CARD CONNECTOR
NORMAL WITH PUSH-PUSH FUNCTION
DWG NO.: 303-0000-1712

SCALE SHEET REV. 1:1 1/2 BX1

SPECIFICATION

- ELECTRICAL CHARACTERISTICS:
 - 1.1 CONTACT CURRENT RATING: 0.5A.
 - 1.2 CONTACT RESISTANCE: 100 MOHMS MAX.(INITIAL)
 - 1.3 DIELECTRIC WITHSTANDING VOLTAGE: 500 V AC RMS.
 - 1.4 INSULATION RESISTANCE: 1000 MOHMS MIN. AFTER TEST 100M OHMS MIN.
- MECHANICAL CHARACTERISTICS:
 - 2.1 CARD MATING FORCE: 30 N MAX..
 - 2.2 DURABILITY: 10000 CYCLES.
 - 2.3 OPERATING TEMPERATURE: -25°C TO 85°C. [INCLUDING TERMINAL TEMPERATURE RISE]
- RECOMMENDED PEAK TEMPERATURE OF CUSTOMER IR PROCESS IS 250°C±5°C 10 S
- THE CONNECTOR IS ROHS COMPLIANT .

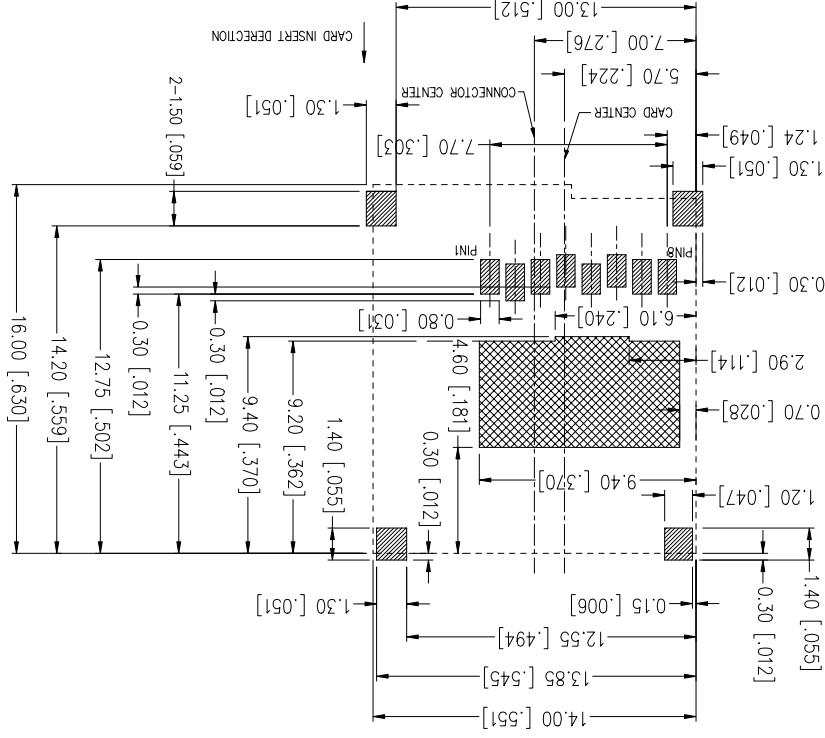
5. PRODUCT NO:

WO 2 1 8 2 3 - DES1-7F

Series Prefix
 Micro SD
 Memory Card Conn
 Termination Type
 2 = SMT Type
 Switch Type
 1 = Normal Open Type
 No. of Pos.
 8=8pin
 Upper Cover Type
 2 = Metal Cover With Push-Push
 Contact Area Plating Thickness
 3 = 30u" Gold Plating
 Modification Code
 Package & Solder Tail Type
 7F =Tape & Reel (Lead free)

RECOMMENDED P.C.B LAYOUT (COMPONENT SIDE)

- DEFAULT TOLERANCE ±0.05 [.002]
- ▨ : SOLDER PAD AREA.
- : NO PARTS AREA.



SEE SHEET 1/2

REV.	ECON. NO.	APPD.

UNITS	X: ± 1.	.X ± [0.38]	.XX ± [0.15]	.XX ± [0.25]	.XXX ±	.XXX ±
MAT'L	N/A	N/A	N/A	N/A	N/A	N/A
NAME(NTENDED USE)	CUSTOMER	HON HAI PRECISION IND. CO.,LTD. TAIPEI, TAIWAN, R.O.C.				
PART NO.(NTENDED USE)	WO21823-DES1-7F	TITLE: MICRO SD CARD CONNECTOR NORMAL WITH PUSH-PUSH FUNCTION				
APPD:	Huo Yin 7/23'08	DWG NO.: 303-0000-1712				
CHKD:	Kobby Zhou 7/23'08	SCALE SHEET REV.				
DR:	F.Y Zhu 7/23'08	BX1				

THESE DRAWINGS AND SPECIFICATIONS ARE THE PROPERTY OF HON HAI PRECISION IND. CO., LTD. AND SHALL NOT BE REPRODUCED OR USED IN ANY MANNER WITHOUT THE PRIOR WRITTEN CONSENT OF HON HAI PRECISION IND. CO., LTD.

X-ON Electronics

Largest Supplier of Electrical and Electronic Components

Click to view similar products for [Standard Card Edge Connectors](#) category:

Click to view products by [Foxconn](#) manufacturer:

Other Similar products are found below :

[6565204-6](#) [PKC-156](#) [1437274-4](#) [147889-1](#) [1489165-4](#) [EBT156-12B1X](#) [EBT15622B2X](#) [EBT156-22R2W](#) [1-582587-1](#) [1-582589-1](#) [2-6437275-9](#) [284-0102-12100](#) [306022901000000](#) [307-012-502-202](#) [307-024-526-201](#) [307-056-520-300](#) [307-080-526-208](#) [1926088-2](#) [245-062-520-350](#) [287-0032-12101](#) [306-010-500-112](#) [306-028-525-102](#) [306-240-318](#) [307-036-502-202](#) [307-036-521-301](#) [307-072-526-202](#) [345-060-559-303](#) [368-004-520-201](#) [392-008-559-201](#) [534671-1](#) [5-530501-5](#) [341-240-317](#) [345-029-520-300](#) [345-030-500-301](#) [345-044-500-300](#) [345-220-058](#) [346-240-318](#) [387-012-523-300](#) [395-044-520-300](#) [395-100-524-300](#) [50-12B-10](#) [50-6SN-5](#) [09-07-2032](#) [10035388-106LF](#) [10035388-802LF](#) [10115859-011LF](#) [10122859-009LF](#) [101269333204245CLF](#) [10127905-B04B24BLF](#) [530555-1](#)