

1.ELECTRICAL SPECIFICATIONS @25°C

1.1 OCL: 350 uH Min @ 100 KHz, 0.1V with 8mA DC Bias

1.2 Leakage Inductance: 0.5uH Max @ 100KHz, 0.2V

1.3 DCR: 1.4Ω Max

1.4 Turns Ratio: 1CT:1CT

1.5 Polarity: 1-20, 4-17, 6-15, 9-12 In-Phase

1.6 Insertion Loss: -1.0 dB Max. @ 0.3-100 MHz

1.7 Return Loss: -18 dB Min. @ 1-30 MHz

-14 dB Min. @ 30-60 MHz

-12 dB Min.@ 60-80 MHz


1.8 Cross Talk: -30 dB Min@ 1-100 MHz

1.9 Common Mode Rejection : -30 dB Min@ 1-100 MHz

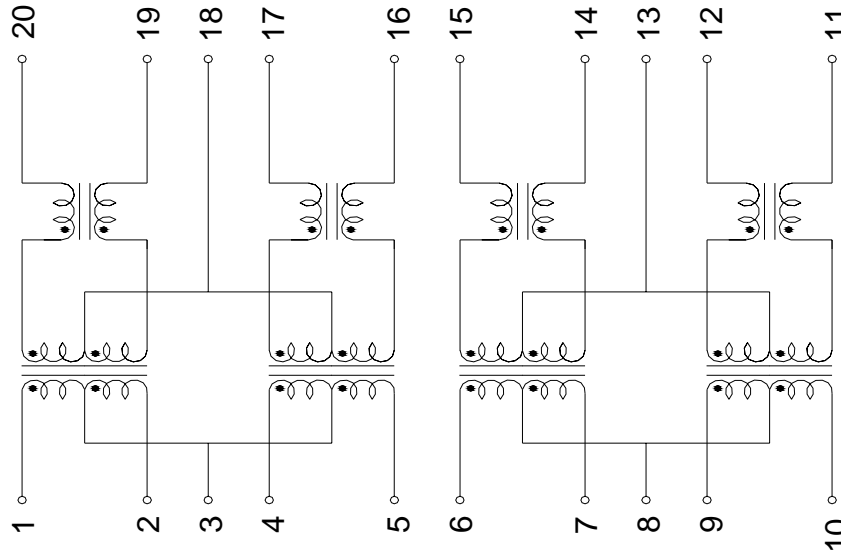
1.10 Isolation HI-POT: 1500Vrms 2mA 60Second

1.11 Operating temperature 0°C to +70°C

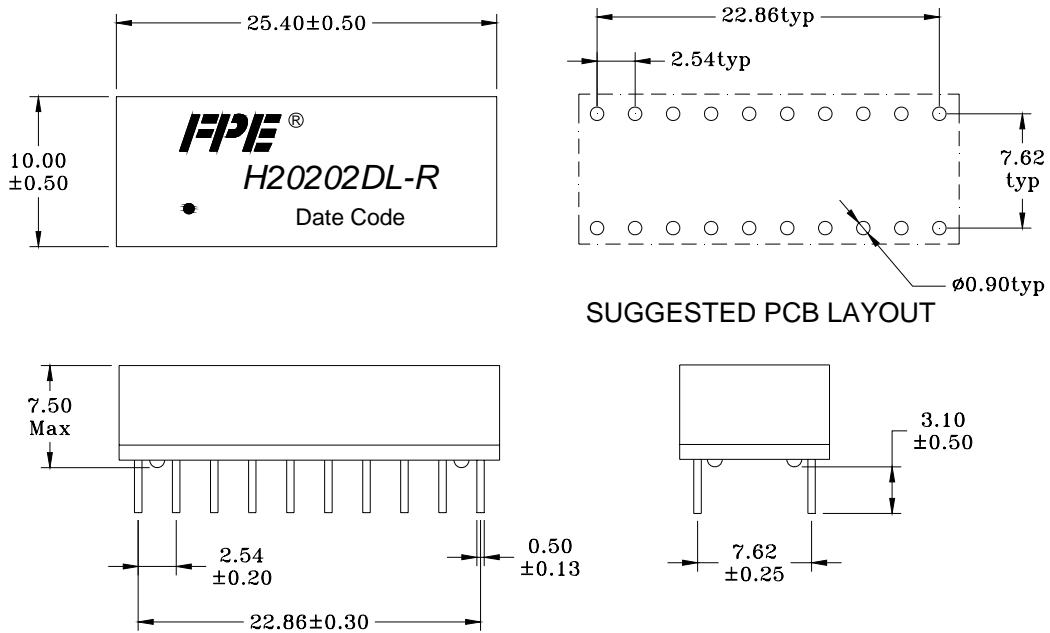
1.12 Storage temperature -40°C to +85°C

Drawn by	Checked by	Approved by	TITLE: 10/100 BASE-T
			PART NO: H20202DL-R
	Dongguan Meixin Science and Technology Co., Ltd		REV: B
			PAGE: 1 / 2

2. SCHEMATICS:



3. DIMENSIONS & MARKING:



Drawn by	Checked by	Approved by	TITLE: 10/100 BASE-T
			PART NO: H20202DL-R
FPIE ®	Dongguan Meixin Science and Technology Co., Ltd	REV: B	
		PAGE: 2 / 2	

X-ON Electronics

Largest Supplier of Electrical and Electronic Components

Click to view similar products for [Audio Transformers](#) / [Signal Transformers](#) category:

Click to view products by [FPE](#) manufacturer:

Other Similar products are found below :

[749023020](#) [CU4S0506AT-2655-H1](#) [MET-58](#) [PE-64961](#) [H5008FNL](#) [H5020FNLT](#) [H5079NLT](#) [1879479-1](#) [1879564-1](#) [PA1277NLT](#)
[PA1528ANL](#) [PA2007NLT](#) [FL1066](#) [T1137NLT](#) [T3012NL](#) [PE-65812FNL](#) [TTC-100](#) [TTC-143-H](#) [TTC-5032-1](#) [HX1234NLT](#) [HX5008FNLT](#)
[100B-1001XNL](#) [PA1282NLT](#) [HX5084FNL](#) [T1108NLT](#) [2-1879391-5](#) [TTC-266-2](#) [3-1879385-4](#) [PA1032NL](#) [H2009FNLT](#) [PA0801NLT](#)
[TTC-266](#) [X-1619](#) [SM51295PEL](#) [T5008NLT](#) [PE-68517T](#) [HX1294NLT](#) [HX5084FNLT](#) [H5015FNLT](#) [H6080NLT](#) [CX2024NL](#) [HX1294FNLT](#)
[TX1473NLT](#) [PE-69011NLT](#) [CX2047LNLT](#) [CX2043LNLT](#) [DCT20EFD-U32S003](#) [H5120NLT](#) [H7137FNLT](#) [H1259NLT](#)