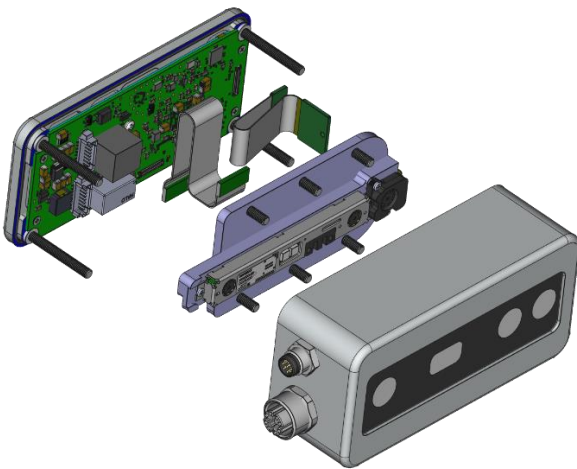


D415e - FRAMOS Industrial Depth Camera



Key Benefits & Features:

- IP66 dust and water-proof housing for industrial environments
- Gigabit ethernet data transmission
- Secure cable connections with threaded M12 and M8 plugs
- Data transfer up to 100m in length
- Single cable for both power & data via PoE
- Increased data transmission reliability with packet resends
- GigE Vision compliant
- Intel® RealSense™ SDK 2.0 compatible
- Onboard depth calculation with Intel® RealSense™ Vision Processor D4
- External Event Trigger Mode

Specification	
Model Name	D415e

Hardware	
Housing material	Aluminium, anodized
Dimensions (L x H x W)	100 x 47 x 38
Mounting holes (backside)	4 x M3 ↓ 3,20 mm
Connector 1	M12 Ethernet, X-Coded (Datastream + PoE possible)
Connector 2	M8, 8 pin, A-Coded (Power supply + GPIO)
Housing Grade	IP66, IP67 on demand
Protection glass	AR coating, scratch resistant (6H)
Physical Interface	Gigabit ethernet
Camera weight	Ca. 250 grams

Features ¹	
Resolution depth	1280 x 720 px (rolling shutter) 1.4µm x 1.4µm pixel size
Resolution RGB	1920 x 1080 px (rolling shutter)
FOV depth (H x V x D)	65° x 40° x 72° (+/- 3°)
FOV RGB (H x V x D)	69° x 43° x 77° (+/- 3°)
Baseline (depth)	55 mm
Projector	Unstructured light in IR spectrum to enhance depth quality
Operating range	0,3 m – 10 m
Streaming speed	30 fps for simultaneous RGB and depth streams @ 1280 x 720 px
Power consumption ²	6W (AUX) / 7W (PoE)
Supply voltage	12V-24V (+/- 10%)

Software	
Software	Intel® RealSense™ SDK 2.0, basic functionality in any GigE Vision compliant software ³
Operating systems	Linux, Windows, ARM ⁴

Environmental	
Operating temperature	0 to +55 °C housing temperature
Storage temperature	-40 to +70 °C ambient temperature
Operating relative humidity	Up to 90%

Suggested Accessories	
Ethernet cable (M12 connector, male); power cable (M8 connector, female); heat sink (adequate for mounting holes)	

Certifications	
Regulatory	CE, FCC, RoHS
Shock	DIN EN 60068-2-27
Vibration	DIN EN 60068-2-6, DIN EN 60068-2-64

¹ Intel® RealSense™ depth module data sheet:

<https://dev.intelrealsense.com/docs/datasheets>

² typical consumption at ambient temperatures of 25°C

³ Transport protocol, reception of image streams, basic controls of camera module, no depth data

⁴ NVIDIA® Jetson™ TX2, Jetson AGX Xavier™, other platforms upon request

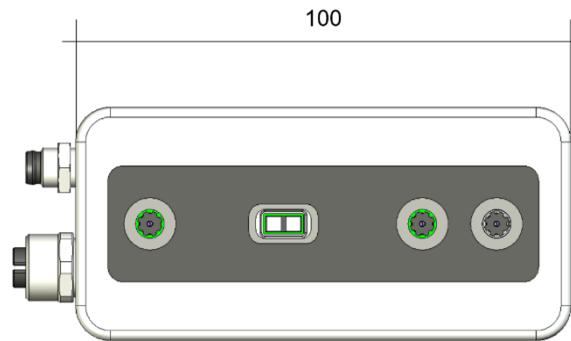
sales@framos.com | support@framos.com

HQ Germany: +49 89 710667 0 | Office NA: +1 613 686 1152 | Office Italy: +39 039 6899 635

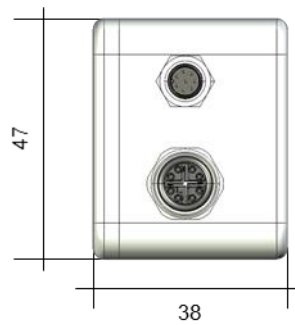
Office France: +33 782 863 478 | Office UK: +44 1276 4041 40

D415e - FRAMOS Industrial Depth Camera

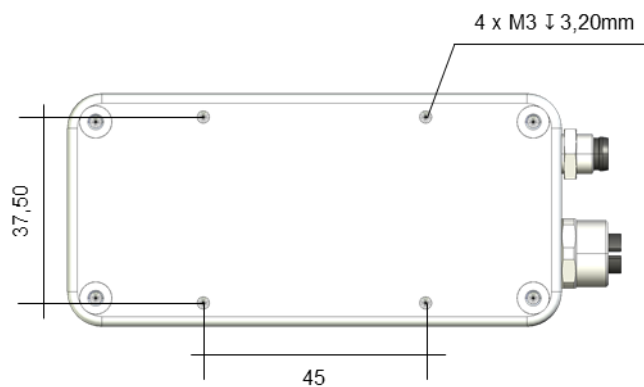
Front View



Side View



Back View



X-ON Electronics

Largest Supplier of Electrical and Electronic Components

Click to view similar products for [Cameras & Camera Modules](#) category:

Click to view products by [FRAMOS](#) manufacturer:

Other Similar products are found below :

[FH-SC](#) [CAMOV5645](#) [73-540-420I](#) [Web Camera module 5.0M pixel](#) [LI-IMX424-GMSL2-070H](#) [107654](#) [107402](#) [73-951-0046](#) [73-954-0001T](#)
[73-961-0005](#) [1202](#) [1203](#) [73-961-0003](#) [73-961-0012](#) [107139](#) [106983](#) [107115](#) [107149](#) [107142](#) [82535IVCHVM](#) [107140](#) [107113](#) [107112](#)
[107141](#) [107147](#) [107148](#) [107110](#) [107150](#) [107145](#) [107111](#) [10299](#) [10300](#) [11388](#) [613](#) [EP-DCINTELD-415](#) [1386](#) [4321](#) [4561](#) [43203](#) [104002](#)
[105716](#) [105993](#) [107645](#) [107646](#) [107655](#) [107772](#) [108010](#) [108173](#) [107114](#) [ACC-1H70-00-P1](#)