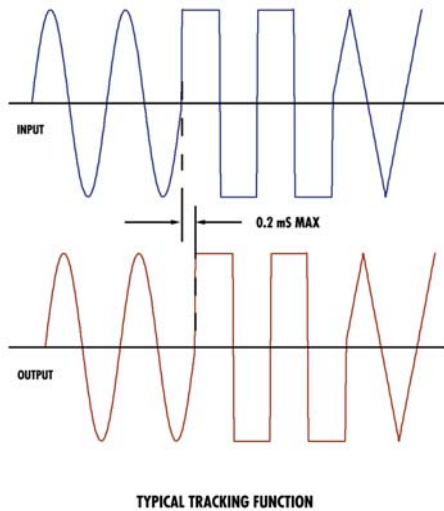


# AC/DC Hall Effect Current Transducer

## DIN RAIL / PANEL MOUNT, TRACING OUTPUT



Single Element - .79" Window  
20 TO 600 AAC/DC Input Range



The **CR5400** Series, AC/DC Hall Effect Current Transducers, are designed to provide a bipolar output that proportionally reflects (traces) the waveform of the input current. These devices are specifically targeted to be used in applications where multi-mode current sensing is required.

### Applications

Inverter and multi-frequency drives  
Multi-mode ground paths carrying both AC and DC signals  
Feed back loop building block

### Features

Output isolated from input  
Non-contact current sensing  
35mm DIN Rail or Panel Mount  
Connection diagram printed on case

### Regulatory Agencies

Constructed to meet UL 61010B-1  
Constructed to meet CAN/CSA-C22.2, No. 61010-1-2004  
Meets requirement of IEC 61010-1 and BS EN 61010-1



All single phase current transducers are available in split core design. Simply put an "S" at the end of the prefix\*  
I.E. CR5410S-30

Add suffix for input range

PART NUMBERS			
CR5410(S)	-		Single Element with $\pm 5$ VAC/DC output (split core design)
CR5411(S)	-		Single Element with $\pm 10$ VAC/DC output (split core design)
NOTE: AC/DC Split Core Transducers Available in 20 Amps and Higher			

- 20** -  $\pm 20$  AAC/ADC
- 30** -  $\pm 30$  AAC/ADC
- 50** -  $\pm 50$  AAC/ADC
- 75** -  $\pm 75$  AAC/ADC
- 100** -  $\pm 100$  AAC/ADC
- 150** -  $\pm 150$  AAC/ADC
- 300** -  $\pm 300$  AAC/ADC

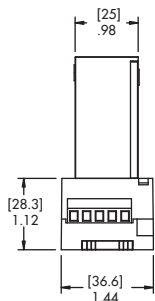
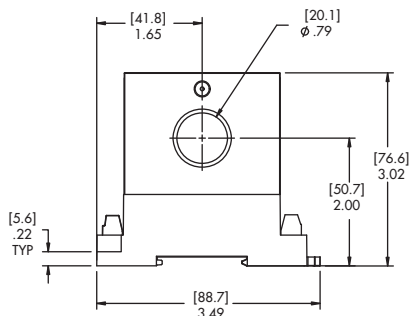
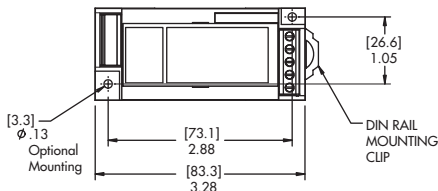
Ranges available up to and including 600 AAC/ADC

# AC/DC Hall Effect Current Transducer

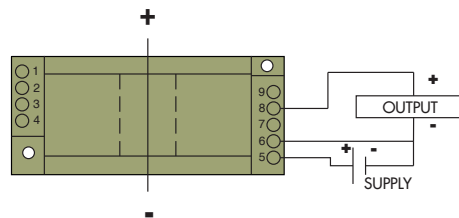
## DIN RAIL / PANEL MOUNT, TRACING OUTPUT

### SPECIFICATIONS

Basic Accuracy:.....	1.0 %	Frequency Range:.....	DC to 4 KHz
Linearity:.....	10% to 100% FS	Output:.....	±5 Vac/DC or ±10 Vac/DC
Thermal Drift:.....	500 PPM/°C	Output Load:.....	2 K Ω or greater
Operating Temperature:.....	0°C to +50°C	Relative Humidity:.....	5% to 95%, Non-Condensing
Installation Category:.....	CAT II	Supply Current:	
Vibration Tested To:.....	IEC 60068-2-6,1995	CR5410:.....	Typical 35mA    Max 40mA
Pollution Degree:.....	2	CR5410S:.....	Typical 30mA    Max 35mA
Altitude:.....	2000 meter max.	Torque Specs:.....	3.0 inch lbs. (0.4Nm)
Insulation Voltage:.....	2500 VDC	Weight:.....	0.5 lbs.
Cleaning:.....	Water-dampened cloth		
MTBF:.....	Greater than 100K hours		
Supply Voltage:.....	24 VDC ±10%		



### OUTLINE DRAWING



**CR5410** ±5 VAC/VDC Output  
**CR5411** ±10 VAC/VDC Output

### CONNECTION DIAGRAM



### Power Supply

NOTE: The building installation must have a switch or circuit-breaker that is in close proximity and within easy reach of the operator. The switch or circuit breaker shall be marked as the disconnecting device for the equipment.

## **X-ON Electronics**

Largest Supplier of Electrical and Electronic Components

*Click to view similar products for [free2move](#) manufacturer:*

Other Similar products are found below :

[F2M03M-KIT-1](#) [F2M03G-KIT-1](#) [CR5410-30](#) [CR4120-100](#) [CR5210-10](#) [CR5210S-150](#) [CR9321-ACA](#)