

RF LDMOS Wideband Integrated Power Amplifiers

The MW7IC2220N wideband integrated circuit is designed with on-chip matching that makes it usable from 2000 to 2200 MHz. This multi-stage structure is rated for 24 to 32 Volt operation and covers all typical cellular base station modulation formats including TD-SCDMA.

- Typical Single-Carrier W-CDMA Performance: $V_{DD} = 28$ Volts, $I_{DQ1} = 80$ mA, $I_{DQ2} = 300$ mA, $P_{out} = 2$ Watts Avg., $f = 2167.5$ MHz, IQ Magnitude Clipping, Channel Bandwidth = 3.84 MHz, Input Signal PAR = 7.5 dB @ 0.01% Probability on CCDF.
 - Power Gain — 31 dB
 - Power Added Efficiency — 13%
 - ACPR @ 5 MHz Offset — -50 dBc in 3.84 MHz Bandwidth
- Capable of Handling 5:1 VSWR, @ 28 Vdc, 2140 MHz, 20 Watts CW Output Power
- Stable into a 5:1 VSWR. All Spurs Below -60 dBc @ 100 mW to 5 Watts CW P_{out} .
- Typical P_{out} @ 1 dB Compression Point ≈ 20 Watts CW

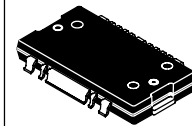
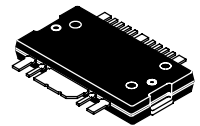
Features

- Characterized with Series Equivalent Large-Signal Impedance Parameters and Common Source S-Parameters
- On-Chip Matching (50 Ohm Input, DC Blocked, >3 Ohm Output)
- Integrated Quiescent Current Temperature Compensation with Enable/Disable Function (1)
- Integrated ESD Protection
- 225°C Capable Plastic Package
- RoHS Compliant
- In Tape and Reel. R1 Suffix = 500 Units, 44 mm Tape Width, 13 inch Reel.

MW7IC2220NR1
MW7IC2220GNR1
MW7IC2220NBR1

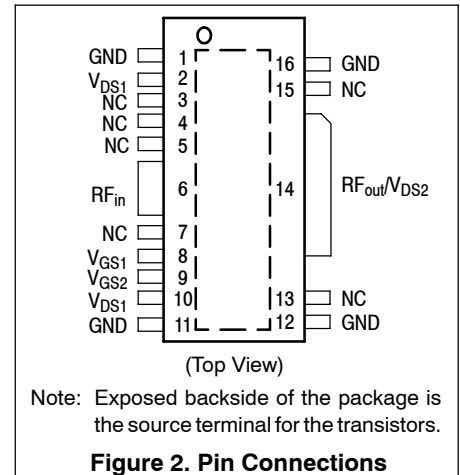
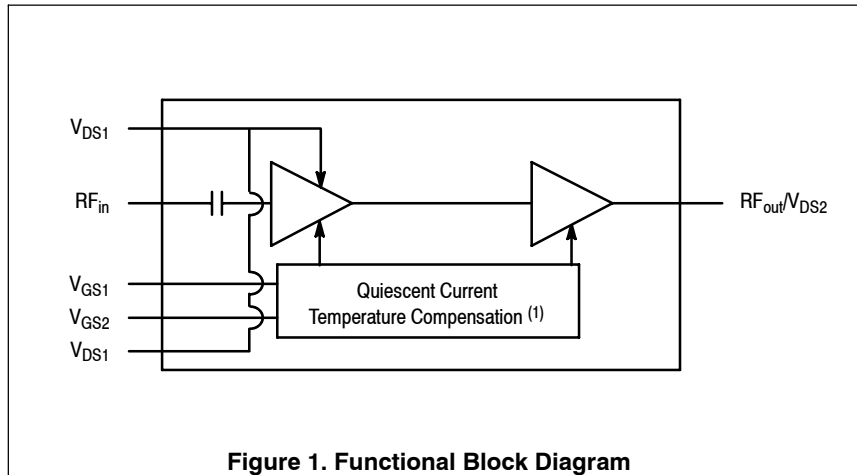
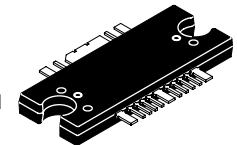
2110-2170 MHz, 2 W Avg., 28 V
SINGLE W-CDMA
RF LDMOS WIDEBAND
INTEGRATED POWER AMPLIFIERS

CASE 1886-01
TO-270 WB-16
PLASTIC
MW7IC2220NR1



CASE 1887-01
TO-270 WB-16 GULL
PLASTIC
MW7IC2220GNR1

CASE 1329-09
TO-272 WB-16
PLASTIC
MW7IC2220NBR1



1. Refer to AN1977, Quiescent Current Thermal Tracking Circuit in the RF Integrated Circuit Family and to AN1987, Quiescent Current Control for the RF Integrated Circuit Device Family. Go to <http://www.freescale.com/rf>. Select Documentation/Application Notes - AN1977 or AN1987.

Table 1. Maximum Ratings

Rating	Symbol	Value	Unit
Drain-Source Voltage	V_{DS}	-0.5, +65	Vdc
Gate-Source Voltage	V_{GS}	-0.5, +5	Vdc
Operating Voltage	V_{DD}	32, +0	Vdc
Storage Temperature Range	T_{stg}	-65 to +150	°C
Case Operating Temperature	T_C	150	°C
Operating Junction Temperature (1,2)	T_J	225	°C
Input Power	P_{in}	20	dBm

Table 2. Thermal Characteristics

Characteristic	Symbol	Value (2,3)	Unit
Thermal Resistance, Junction to Case	$R_{\theta JC}$		°C/W
2 W Avg. ($P_{out} = 2$ W CW, Case Temperature = 78°C)	Stage 1, 28 Vdc, $I_{DQ1} = 80$ mA Stage 2, 28 Vdc, $I_{DQ2} = 300$ mA	4.3 1.5	
20 W Avg. ($P_{out} = 20$ W CW, Case Temperature = 82°C)	Stage 1, 28 Vdc, $I_{DQ1} = 80$ mA Stage 2, 28 Vdc, $I_{DQ2} = 300$ mA	4.3 1.25	

Table 3. ESD Protection Characteristics

Test Methodology	Class
Human Body Model (per JESD22-A114)	0 (Minimum)
Machine Model (per EIA/JESD22-A115)	A (Minimum)
Charge Device Model (per JESD22-C101)	III (Minimum)

Table 4. Moisture Sensitivity Level

Test Methodology	Rating	Package Peak Temperature	Unit
Per JESD22-A113, IPC/JEDEC J-STD-020	3	260	°C

Table 5. Electrical Characteristics ($T_A = 25^\circ\text{C}$ unless otherwise noted)

Characteristic	Symbol	Min	Typ	Max	Unit
Stage 1 — Off Characteristics					
Zero Gate Voltage Drain Leakage Current ($V_{DS} = 65$ Vdc, $V_{GS} = 0$ Vdc)	I_{DSS}	—	—	10	μAdc
Zero Gate Voltage Drain Leakage Current ($V_{DS} = 28$ Vdc, $V_{GS} = 0$ Vdc)	I_{DSS}	—	—	1	μAdc
Gate-Source Leakage Current ($V_{GS} = 5$ Vdc, $V_{DS} = 0$ Vdc)	I_{GSS}	—	—	1	μAdc
Stage 1 — On Characteristics					
Gate Threshold Voltage ($V_{DS} = 10$ Vdc, $I_D = 23$ μAdc)	$V_{GS(th)}$	1.2	2	2.7	Vdc
Gate Quiescent Voltage ($V_{DS} = 28$ Vdc, $I_{DQ1} = 80$ mAdc)	$V_{GS(Q)}$	—	2.8	—	Vdc
Fixture Gate Quiescent Voltage ($V_{DD} = 28$ Vdc, $I_{DQ1} = 80$ mAdc, Measured in Functional Test)	$V_{GG(Q)}$	9.5	12.2	16.5	Vdc

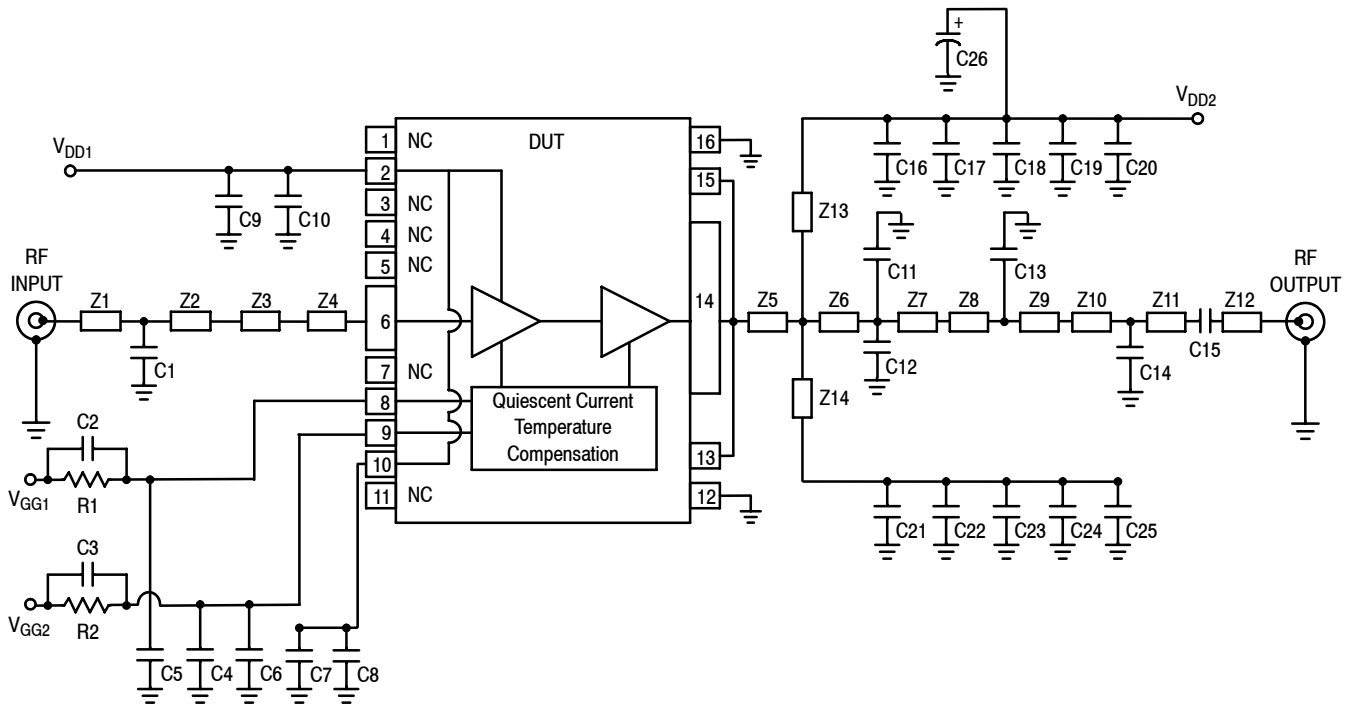
1. Continuous use at maximum temperature will affect MTTF.
2. MTTF calculator available at <http://www.freescale.com/rf>. Select Software & Tools/Development Tools/Calculators to access MTTF calculators by product.
3. Refer to AN1955, *Thermal Measurement Methodology of RF Power Amplifiers*. Go to <http://www.freescale.com/rf>. Select Documentation/Application Notes - AN1955.

(continued)

Table 5. Electrical Characteristics ($T_A = 25^\circ\text{C}$ unless otherwise noted) (continued)

Characteristic	Symbol	Min	Typ	Max	Unit
Stage 2 — Off Characteristics					
Zero Gate Voltage Drain Leakage Current ($V_{DS} = 65\text{ Vdc}$, $V_{GS} = 0\text{ Vdc}$)	I_{DSS}	—	—	10	μAdc
Zero Gate Voltage Drain Leakage Current ($V_{DS} = 28\text{ Vdc}$, $V_{GS} = 0\text{ Vdc}$)	I_{DSS}	—	—	1	μAdc
Gate-Source Leakage Current ($V_{GS} = 5\text{ Vdc}$, $V_{DS} = 0\text{ Vdc}$)	I_{GSS}	—	—	1	μAdc
Stage 2 — On Characteristics					
Gate Threshold Voltage ($V_{DS} = 10\text{ Vdc}$, $I_D = 150\ \mu\text{Adc}$)	$V_{GS(th)}$	1.2	2	2.7	Vdc
Gate Quiescent Voltage ($V_{DS} = 28\text{ Vdc}$, $I_{DQ2} = 300\ \text{mAdc}$)	$V_{GS(Q)}$	—	2.7	—	Vdc
Fixture Gate Quiescent Voltage ($V_{DD} = 28\text{ Vdc}$, $I_{DQ2} = 300\ \text{mAdc}$, Measured in Functional Test)	$V_{GG(Q)}$	7	8	12.5	Vdc
Drain-Source On-Voltage ($V_{GS} = 10\text{ Vdc}$, $I_D = 1\ \text{Adc}$)	$V_{DS(on)}$	0.2	0.39	1.2	Vdc
Stage 2 — Dynamic Characteristics (1)					
Output Capacitance ($V_{DS} = 28\text{ Vdc} \pm 30\ \text{mV(rms)ac}$ @ 1 MHz, $V_{GS} = 0\text{ Vdc}$)	C_{oss}	—	205	—	pF
Functional Tests (In Freescale Wideband 2110-2170 MHz Test Fixture, 50 ohm system) $V_{DD} = 28\text{ Vdc}$, $I_{DQ1} = 80\ \text{mA}$, $I_{DQ2} = 300\ \text{mA}$, $P_{out} = 2\ \text{W Avg.}$, $f = 2167.5\ \text{MHz}$, Single-Carrier W-CDMA, IQ Magnitude Clipping, Input Signal PAR = 7.5 dB @ 0.01% Probability on CCDF. ACPR measured in 3.84 MHz Channel Bandwidth @ $\pm 5\ \text{MHz}$ Offset.					
Power Gain	G_{ps}	29	31	34	dB
Power Added Efficiency	PAE	11	13	—	%
Adjacent Channel Power Ratio	ACPR	—	-50	-47	dBc
Input Return Loss	IRL	—	-14	-12	dB
Typical Performances (In Freescale Test Fixture, 50 ohm system) $V_{DD} = 28\text{ Vdc}$, $I_{DQ1} = 80\ \text{mA}$, $I_{DQ2} = 300\ \text{mA}$, 2110-2170 MHz					
P_{out} @ 1 dB Compression Point, CW	$P1dB$	—	20	—	W
IMD Symmetry @ 18 W PEP, P_{out} where IMD Third Order Intermodulation $\cong 30\ \text{dBc}$ (Delta IMD Third Order Intermodulation between Upper and Lower Sidebands > 2 dB)	IMD_{sym}	—	40	—	MHz
VBW Resonance Point (IMD Third Order Intermodulation Inflection Point)	VBW_{res}	—	70	—	MHz
Gain Flatness in 60 MHz Bandwidth @ $P_{out} = 2\ \text{W Avg.}$	G_F	—	0.6	—	dB
Average Deviation from Linear Phase in 60 MHz Bandwidth @ $P_{out} = 20\ \text{W CW}$	Φ	—	1.2	—	$^\circ$
Average Group Delay @ $P_{out} = 20\ \text{W CW}$, $f = 2140\ \text{MHz}$	Delay	—	2.5	—	ns
Part-to-Part Insertion Phase Variation @ $P_{out} = 20\ \text{W CW}$, $f = 2140\ \text{MHz}$, Six Sigma Window	$\Delta\Phi$	—	15	—	$^\circ$
Gain Variation over Temperature (-30°C to $+85^\circ\text{C}$)	ΔG	—	0.036	—	dB/ $^\circ\text{C}$
Output Power Variation over Temperature (-30°C to $+85^\circ\text{C}$)	$\Delta P1dB$	—	0.003	—	dB/ $^\circ\text{C}$

1. Part internally matched both on input and output.



Z1	0.090" x 0.083" Microstrip	Z8	0.263" x 0.123" Microstrip
Z2	2.107" x 0.083" Microstrip	Z9	0.125" x 0.123" Microstrip
Z3	0.016" x 0.083" x 0.055" Taper	Z10	0.280" x 0.083" Microstrip
Z4	0.106" x 0.055" Microstrip	Z11	0.373" x 0.083" Microstrip
Z5	0.570" x 0.322" Microstrip	Z12	0.364" x 0.083" Microstrip
Z6	0.204" x 0.322" Microstrip	Z13, Z14	1.042" x 0.083" Microstrip
Z7	0.050" x 0.322" Microstrip	PCB	Arlon CuClad 250GX-0300-55-22, 0.030", $\epsilon_r = 2.55$

Figure 3. MW7IC2220NR1(GNR1)(NBR1) Test Circuit Schematic

Table 6. MW7IC2220NR1(GNR1)(NBR1) Test Circuit Component Designations and Values

Part	Description	Part Number	Manufacturer
C1	0.1 pF Chip Capacitor	ATC100B0R1JT500XT	ATC
C2, C3	8.2 pF Chip Capacitors	ATC100B8R2BT500XT	ATC
C4	4.7 μ F, 50 V Chip Capacitor	C4532X7R1H475KT	TDK
C5, C6	0.4 pF Chip Capacitors	ATC100B0R4JT500XT	ATC
C7, C9	10 μ F, 50 V Chip Capacitors	C3225Y5V1H106ZT	TDK
C8, C10	5.6 pF Chip Capacitors	ATC100B5R6JT500XT	ATC
C11, C12	0.3 pF Chip Capacitors	ATC100B0R3JT500XT	ATC
C13	0.8 pF Chip Capacitor	ATC100B0R8JT500XT	ATC
C14	1.1 pF Chip Capacitor	ATC100B1R1JT500XT	ATC
C15, C16, C21	9.1 pF Chip Capacitors	ATC100B9R1JT500XT	ATC
C17, C22	0.1 μ F, 250 V Chip Capacitors	C3216X7R2E104KT	TDK
C18, C23	6.8 μ F, 50 V Chip Capacitors	C4532X7R1H685KT	TDK
C19, C24	4.7 μ F, 50 V Chip Capacitors	C4532X7R1H475KT	TDK
C20, C25	10 μ F, 50 V Chip Capacitors	C3225Y5V1H106ZT	TDK
C26	470 μ F, 63 V Electrolytic Capacitor	477KXM063M	Illinois Capacitor
R1, R2	10 k Ω , 1/4 W Chip Resistors	CRCW12061002FKEA	Vishay

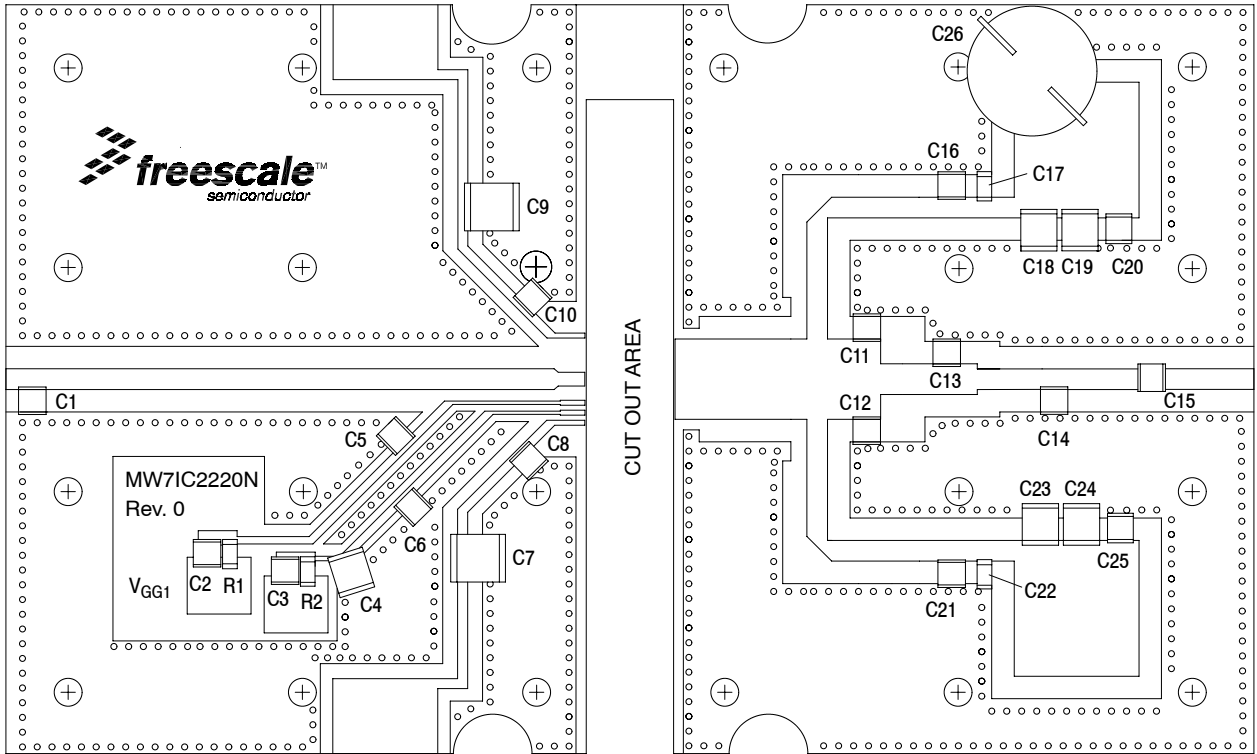


Figure 4. MW7IC2220NR1(GNR1)(NBR1) Test Circuit Component Layout

TYPICAL CHARACTERISTICS

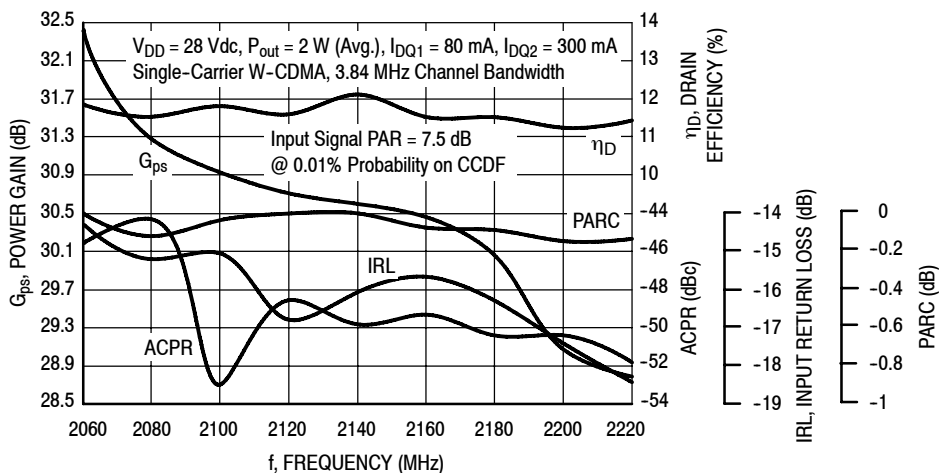


Figure 5. Output Peak-to-Average Ratio Compression (PARC) Broadband Performance @ $P_{out} = 2$ Watts Avg.

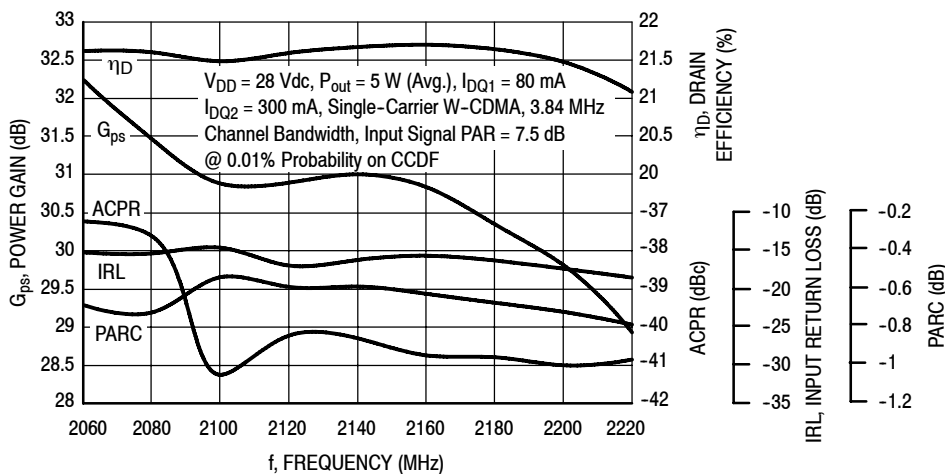


Figure 6. Output Peak-to-Average Ratio Compression (PARC) Broadband Performance @ $P_{out} = 5$ Watts Avg.

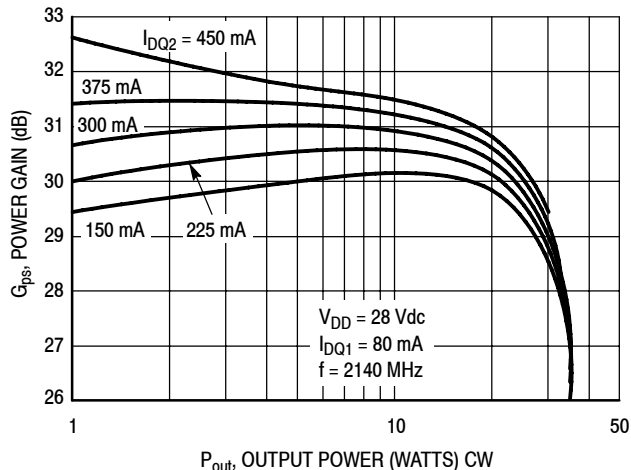


Figure 7. Power Gain versus Output Power @ $I_{DQ1} = 80$ mA

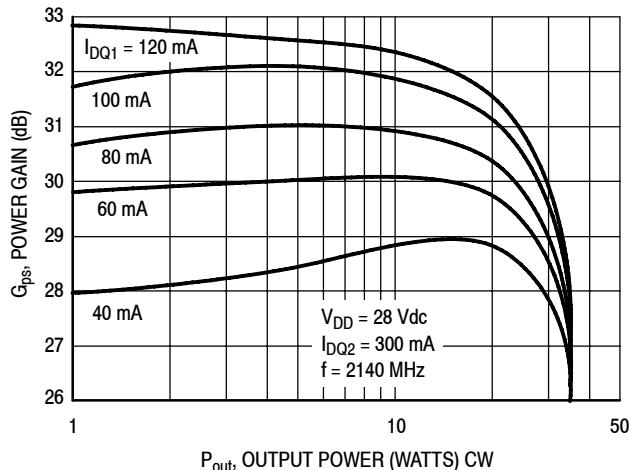


Figure 8. Power Gain versus Output Power @ $I_{DQ2} = 300$ mA

TYPICAL CHARACTERISTICS

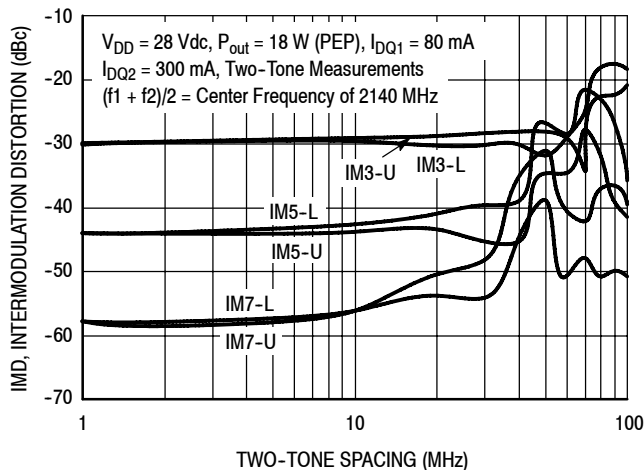


Figure 9. Intermodulation Distortion Products versus Tone Spacing

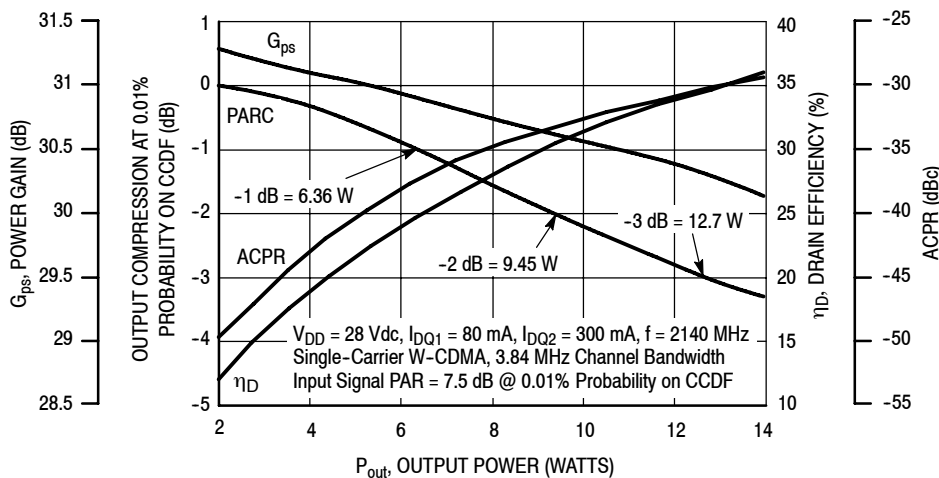


Figure 10. Output Peak-to-Average Ratio Compression (PARC) versus Output Power

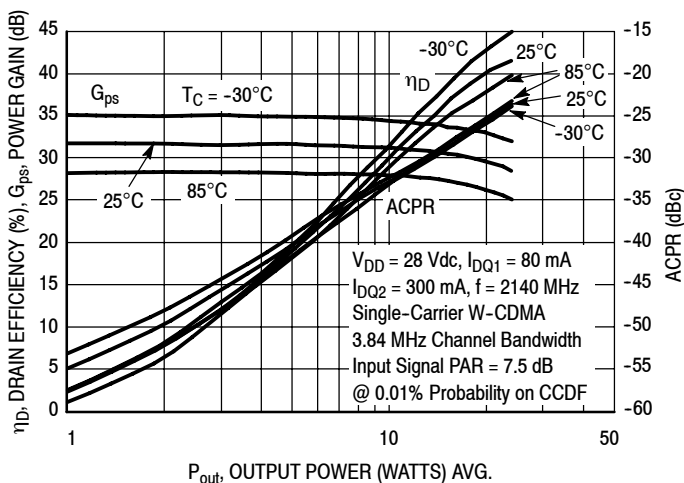


Figure 11. Single-Carrier W-CDMA Power Gain, Drain Efficiency and ACPR versus Output Power

TYPICAL CHARACTERISTICS

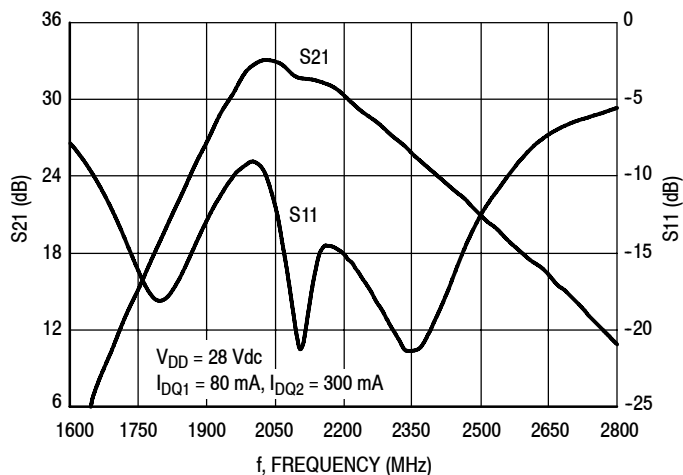


Figure 12. Broadband Frequency Response

W-CDMA TEST SIGNAL

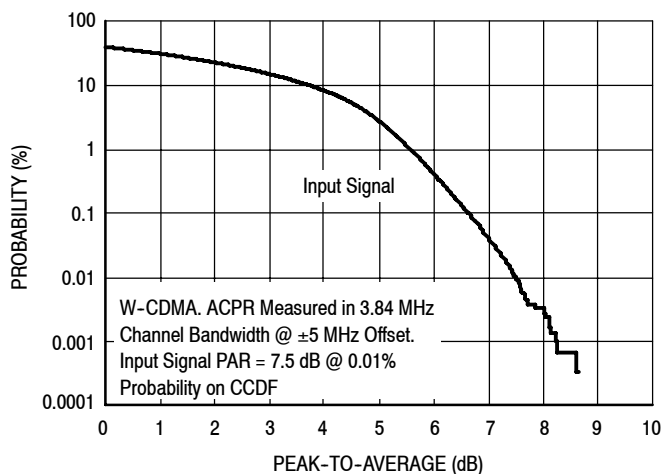


Figure 13. CCDF W-CDMA IQ Magnitude Clipping, Single-Carrier Test Signal

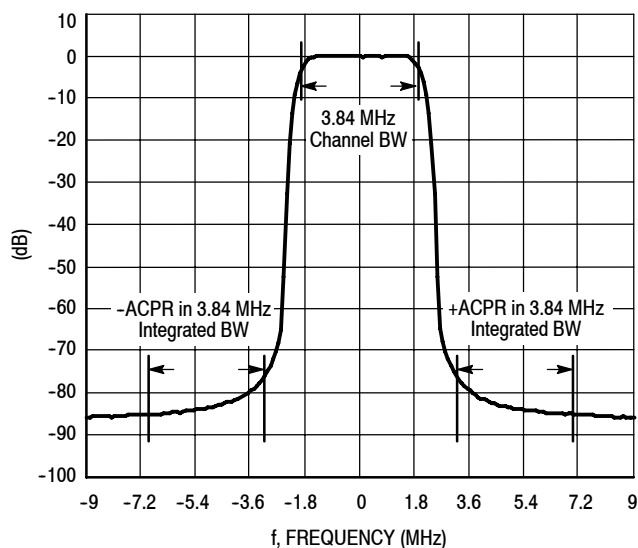
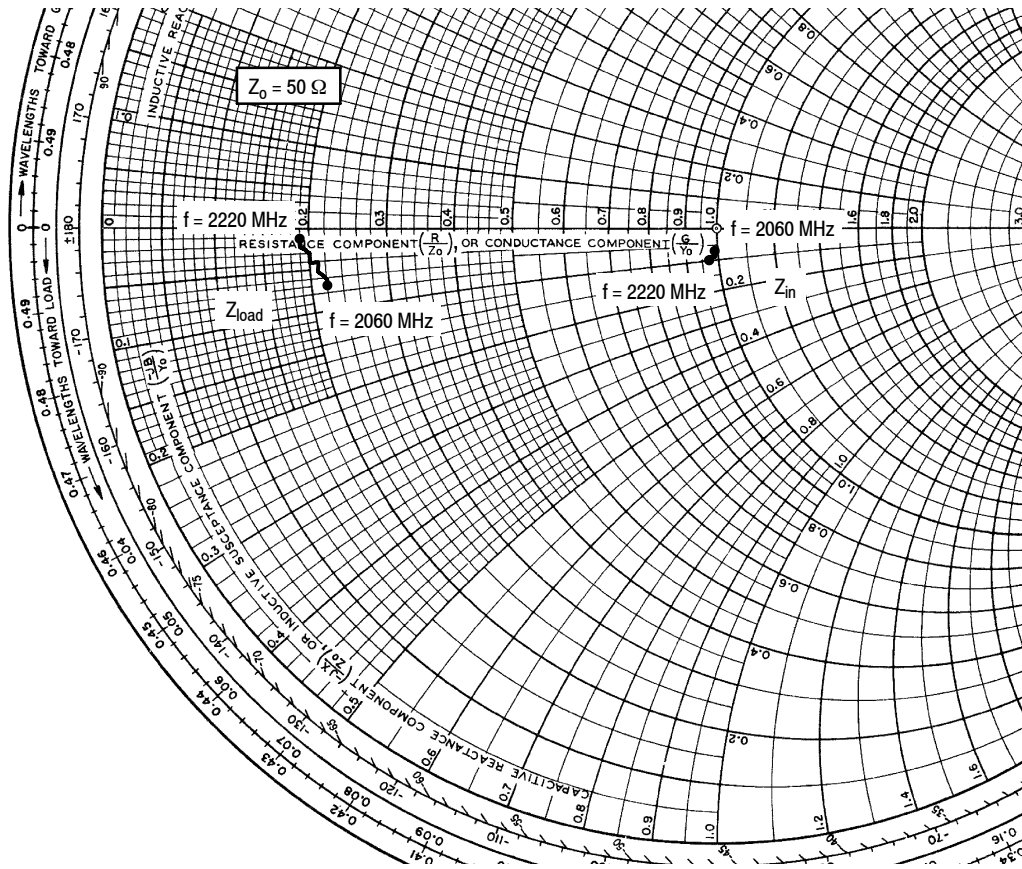


Figure 14. Single-Carrier W-CDMA Spectrum



$V_{DD} = 28 \text{ Vdc}$, $I_{DQ1} = 80 \text{ mA}$, $I_{DQ2} = 300 \text{ mA}$, $P_{out} = 2 \text{ W Avg.}$

f MHz	Z_{in} Ω	Z_{load} Ω
2060	49.57 - j3.62	11.06 - j3.26
2080	49.49 - j3.77	10.83 - j2.96
2100	49.42 - j3.94	10.55 - j2.62
2120	49.35 - j4.12	10.30 - j2.23
2140	49.30 - j4.29	10.08 - j1.86
2160	49.25 - j4.48	9.86 - j1.51
2180	49.21 - j4.67	9.65 - j1.13
2200	49.17 - j4.86	9.45 - j0.76
2220	49.15 - j5.06	9.25 - j0.40

Z_{in} = Device input impedance as measured from gate to ground.

Z_{load} = Test circuit impedance as measured from drain to ground.

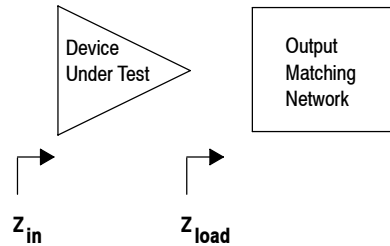


Figure 15. Series Equivalent Input and Load Impedance

Table 7. Common Source S-Parameters ($V_{DD} = 28\text{ V}$, $I_{DQ1} = 90\text{ mA}$, $I_{DQ2} = 420\text{ mA}$, $T_A = 25^\circ\text{C}$, 50 Ohm System)

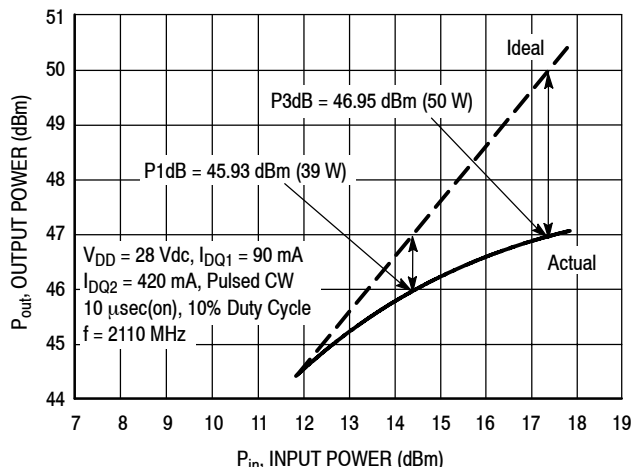
f MHz	S ₁₁		S ₂₁		S ₁₂		S ₂₂	
	S ₁₁	∠ φ	S ₂₁	∠ φ	S ₁₂	∠ φ	S ₂₂	∠ φ
1500	0.452	134	0.356	7.81	0.001	-108	0.979	160
1550	0.407	117	0.757	-7.8	0.000	-67.7	0.969	157
1600	0.354	96.5	1.430	-31	0.000	-65.8	0.955	154
1650	0.316	85.1	2.330	-52.1	0.001	-27.1	0.935	151
1700	0.279	68	3.690	-73.6	0.001	-43.4	0.909	148
1750	0.222	49.5	5.800	-93.3	0.002	-21.9	0.878	143
1800	0.140	30.4	9.570	-113	0.003	-24.8	0.833	137
1850	0.046	21.9	17.000	-137	0.004	-33.7	0.737	124
1900	0.094	135	33.600	-173	0.007	-41.8	0.476	91.7
1950	0.238	56.4	58.300	124	0.009	-86.4	0.396	-79.7
2000	0.254	-29.2	47.800	59.5	0.006	-118	0.873	-149
2050	0.241	-84.1	34.300	22.9	0.004	-122	0.927	-171
2100	0.252	-120	27.700	-3.98	0.004	-125	0.911	-179
2150	0.201	-142	23.900	-28.2	0.003	-128	0.891	177
2200	0.174	-162	21.100	-51.8	0.003	-130	0.878	175
2250	0.148	168	18.800	-75.9	0.003	-131	0.872	175
2300	0.135	103	15.800	-100	0.003	-139	0.882	175
2350	0.197	35.4	12.600	-118	0.003	-155	0.906	174
2400	0.244	1.73	11.100	-132	0.002	-156	0.919	173
2450	0.291	-11.1	10.400	-147	0.002	-157	0.926	171
2500	0.340	-19	9.750	-163	0.002	-147	0.933	170
2550	0.391	-26.9	9.230	-179	0.001	-150	0.938	169
2600	0.435	-35.2	8.760	164	0.001	-144	0.942	168
2650	0.475	-44.4	8.290	146	0.001	-137	0.945	166
2700	0.455	-46	7.050	129	0.001	-90.2	0.950	166
2750	0.535	-60.2	6.690	112	0.001	-106	0.955	164
2800	0.571	-71.2	5.980	95.1	0.001	-103	0.955	163
2850	0.598	-82	5.170	78.5	0.002	-96.5	0.954	162
2900	0.623	-92.9	4.370	63.1	0.002	-103	0.955	162
2950	0.643	-102	3.690	48.7	0.002	-96.2	0.954	161
3000	0.668	-109	3.100	35.4	0.002	-106	0.951	161
3050	0.681	-116	2.580	22.7	0.002	-107	0.952	161
3100	0.694	-121	2.130	11	0.002	-87.9	0.957	160
3150	0.712	-124	1.760	-0.057	0.002	-96.1	0.959	160
3200	0.724	-127	1.440	-10.9	0.002	-99.6	0.959	160
3250	0.726	-130	1.170	-21.1	0.002	-82.4	0.962	159
3300	0.705	-130	0.928	-28.7	0.003	-66.9	0.963	159
3350	0.743	-132	0.780	-37	0.003	-77.2	0.959	158
3400	0.748	-135	0.652	-44.3	0.003	-88	0.955	157
3450	0.753	-137	0.555	-50.3	0.003	-78.6	0.955	156

(continued)

Table 7. Common Source S-Parameters ($V_{DD} = 28\text{ V}$, $I_{DQ1} = 90\text{ mA}$, $I_{DQ2} = 420\text{ mA}$, $T_A = 25^\circ\text{C}$, 50 Ohm System) (continued)

f MHz	S ₁₁		S ₂₁		S ₁₂		S ₂₂	
	S ₁₁	∠ φ	S ₂₁	∠ φ	S ₁₂	∠ φ	S ₂₂	∠ φ
3500	0.759	-140	0.486	-56.1	0.004	-81.1	0.954	155
3550	0.765	-144	0.440	-62.4	0.004	-82	0.946	154
3600	0.770	-148	0.401	-69.7	0.004	-85.9	0.941	153
3650	0.774	-153	0.370	-77.4	0.005	-96.4	0.941	151
3700	0.780	-159	0.338	-85.1	0.006	-94.9	0.940	150
3750	0.795	-164	0.306	-93.2	0.006	-99.3	0.933	148
3800	0.810	-170	0.273	-101	0.008	-110	0.928	146
3850	0.821	-175	0.239	-107	0.008	-113	0.934	145
3900	0.839	-178	0.207	-111	0.008	-112	0.936	144
3950	0.855	179	0.178	-114	0.008	-117	0.927	144
4000	0.862	176	0.156	-116	0.008	-123	0.935	144

ALTERNATIVE PEAK TUNE LOAD PULL CHARACTERISTICS

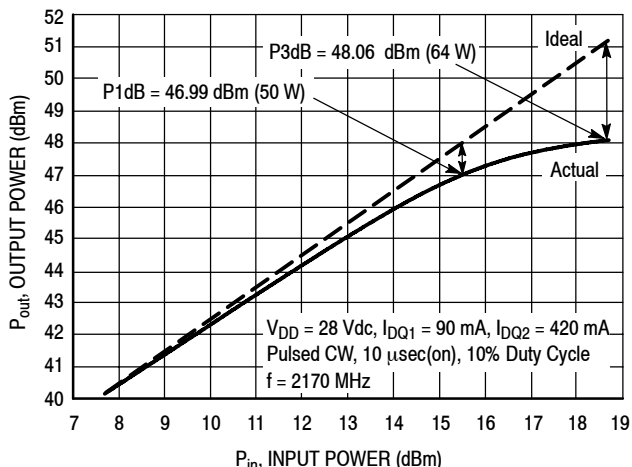


NOTE: Load Pull Test Fixture Tuned for Peak P1dB Output Power @ 28 V

Test Impedances per Compression Level

	Z_{source} Ω	Z_{load} Ω
P1dB	$40.41 + j2.31$	$3.13 - j4.89$

Figure 16. Pulsed CW Output Power versus Input Power @ 28 V @ 2110 MHz

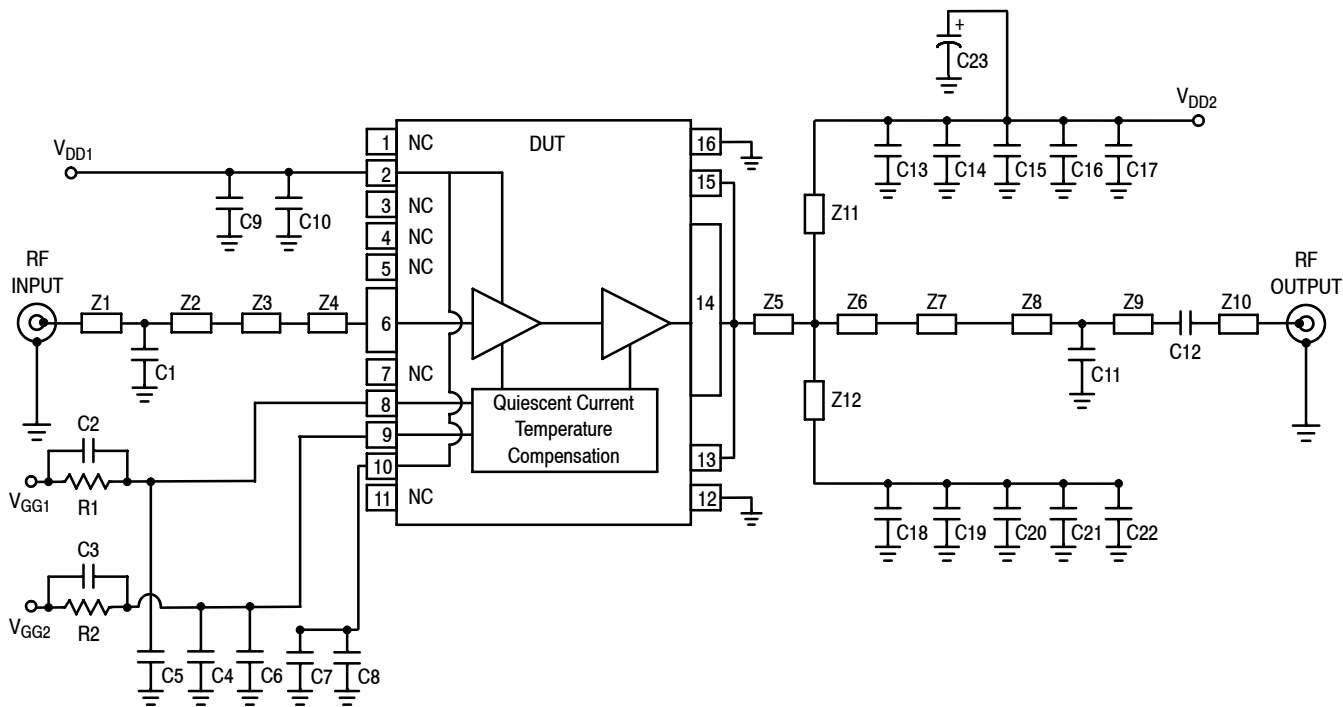


NOTE: Load Pull Test Fixture Tuned for Peak P1dB Output Power @ 28 V

Test Impedances per Compression Level

	Z_{source} Ω	Z_{load} Ω
P1dB	$44.66 - j5.79$	$3.06 - j5.22$

Figure 17. Pulsed CW Output Power versus Input Power @ 28 V @ 2170 MHz



Z1	0.090" x 0.083" Microstrip	Z7	0.388" x 0.123" Microstrip
Z2	2.107" x 0.083" Microstrip	Z8	0.330" x 0.083" Microstrip
Z3	0.016" x 0.083" x 0.055" Taper	Z9	0.323" x 0.083" Microstrip
Z4	0.106" x 0.055" Microstrip	Z10	0.364" x 0.083" Microstrip
Z5	0.570" x 0.322" Microstrip	Z11, Z12	1.042" x 0.083" Microstrip
Z6	0.254" x 0.322" Microstrip	PCB	Arlon CuClad 250GX-0300-55-22, 0.030", $\epsilon_r = 2.55$

Figure 18. MW7IC2220NR1(GNR1)(NBR1) Test Circuit Schematic — TD-SCDMA

Table 8. MW7IC2220NR1(GNR1)(NBR1) Test Circuit Component Designations and Values — TD-SCDMA

Part	Description	Part Number	Manufacturer
C1	1 pF Chip Capacitor	ATC100B1R0JT500XT	ATC
C2, C3	8.2 pF Chip Capacitors	ATC100B8R2BT500XT	ATC
C4	4.7 μ F, 50 V Chip Capacitor	C4532X7R1H475KT	TDK
C5, C6	0.4 pF Chip Capacitors	ATC100B0R4JT500XT	ATC
C7, C9	10 μ F, 50 V Chip Capacitors	C3225Y5V1H106ZT	TDK
C8, C10	5.6 pF Chip Capacitors	ATC100B5R6JT500XT	ATC
C11	1.1 pF Chip Capacitor	ATC100B1R1JT500XT	ATC
C12, C13, C18	9.1 pF Chip Capacitors	ATC100B9R1JT500XT	ATC
C14, C19	0.1 μ F, 250 V Chip Capacitors	C3216X7R2E104KT	TDK
C15, C20	6.8 μ F, 50 V Chip Capacitors	C4532X7R1H685KT	TDK
C16, C21	4.7 μ F, 50 V Chip Capacitors	C4532X7R1H475KT	TDK
C17, C22	10 μ F, 50 V Chip Capacitors	C3225Y5V1H106ZT	TDK
C23	470 μ F, 63 V Electrolytic Capacitor	477KXM063M	Illinois Capacitor
R1, R2	11 Ω , 1/4 W Chip Resistors	CRCW120611R0FKEA	Vishay

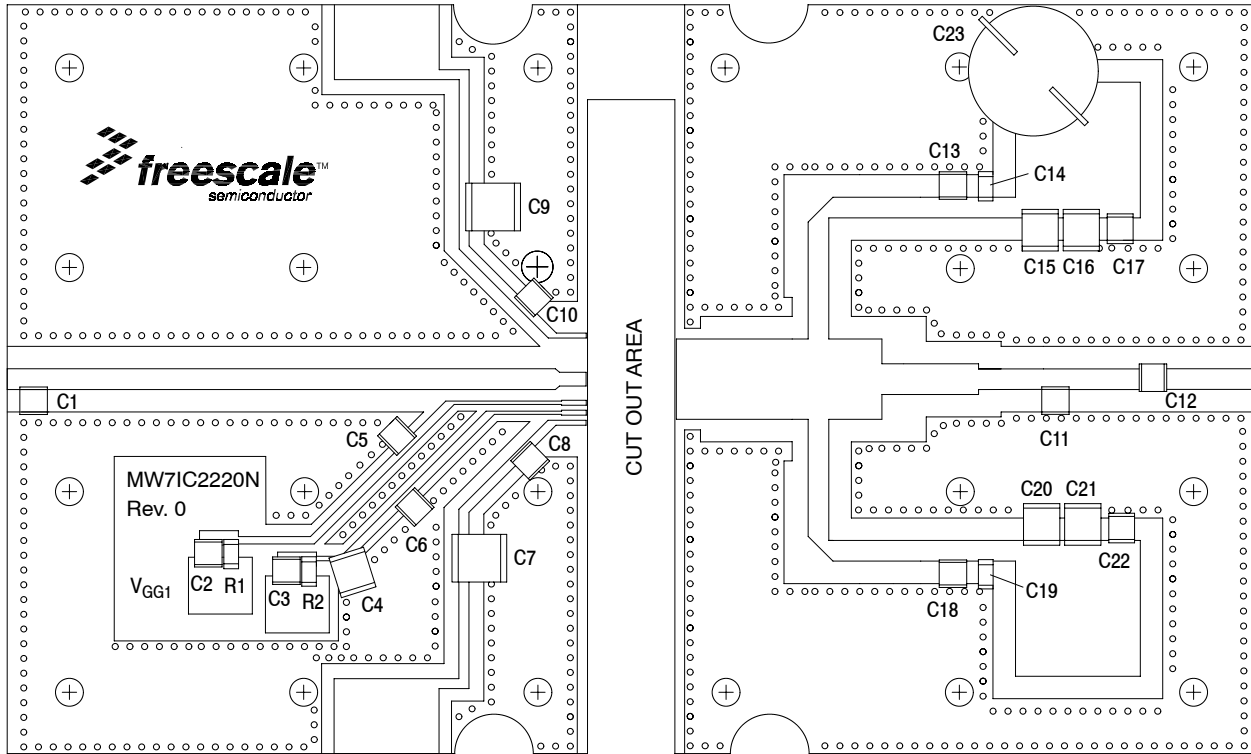


Figure 19. MW71C2220NR1(GNR1)(NBR1) Test Circuit Component Layout — TD-SCDMA

TYPICAL CHARACTERISTICS

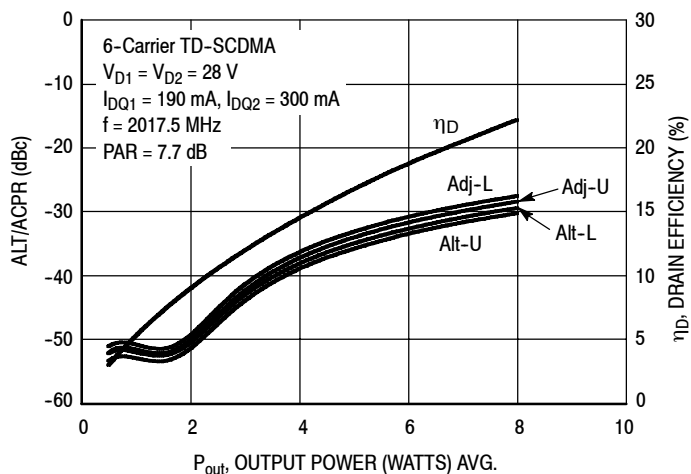


Figure 20. 6-Carrier TD-SCDMA ACPR, ALT and Drain Efficiency versus Output Power

TD-SCDMA TEST SIGNAL

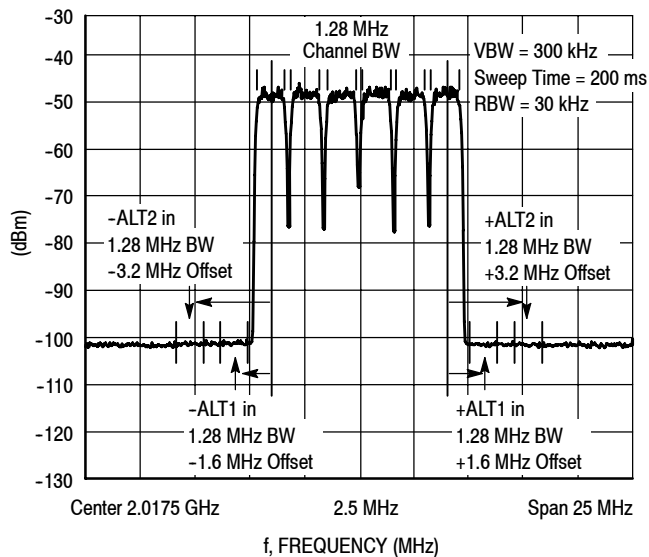
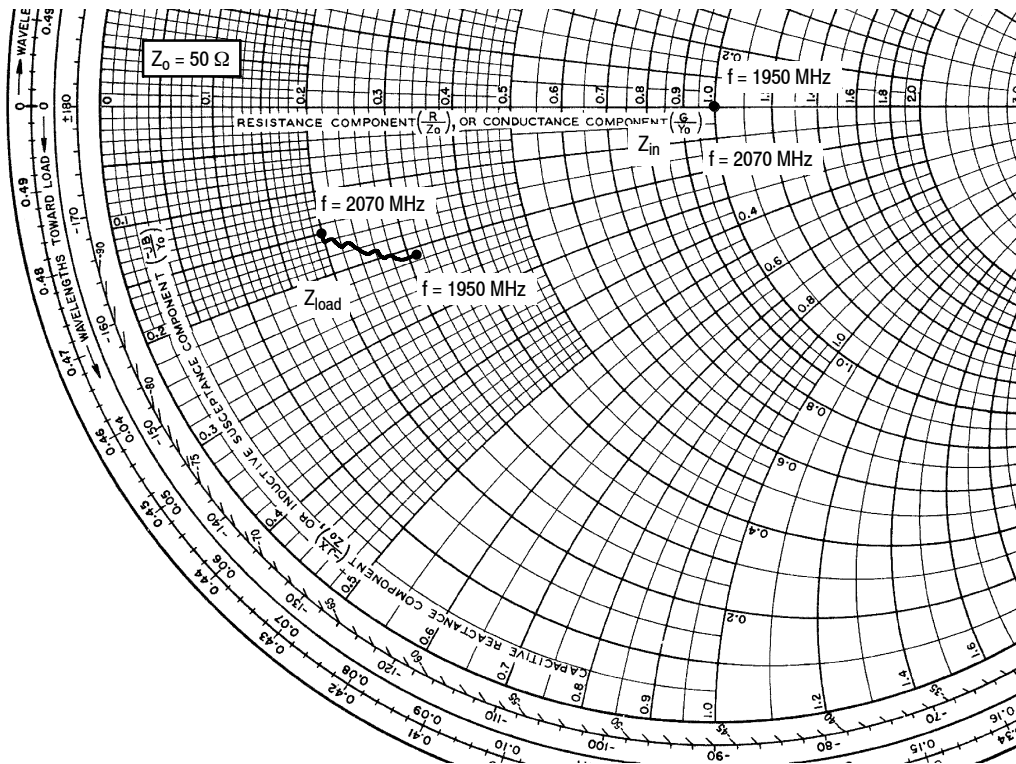


Figure 21. 6-Carrier TD-SCDMA Spectrum



$V_{DD} = 28 \text{ Vdc}$, $I_{DQ1} = 190 \text{ mA}$, $I_{DQ2} = 300 \text{ mA}$

f MHz	Z_{in} Ω	Z_{load} Ω
1950	$50 + j0$	$15.539 - j10.702$
1960	$50 + j0$	$14.953 - j10.522$
1970	$50 + j0$	$14.373 - j10.327$
1980	$50 + j0$	$13.837 - j10.120$
1990	$50 + j0$	$13.294 - j9.886$
2000	$50 + j0$	$12.768 - j9.608$
2010	$50 + j0$	$12.275 - j9.298$
2020	$50 + j0$	$11.832 - j9.000$
2030	$50 + j0$	$11.422 - j8.708$
2040	$50 + j0$	$11.015 - j8.441$
2050	$50 + j0$	$10.621 - j8.175$
2060	$50 + j0$	$10.235 - j7.916$
2070	$50 + j0$	$9.868 - j7.644$

Z_{in} = Device input impedance as measured from gate to ground.

Z_{load} = Test circuit impedance as measured from drain to ground.

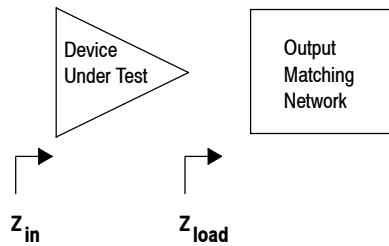
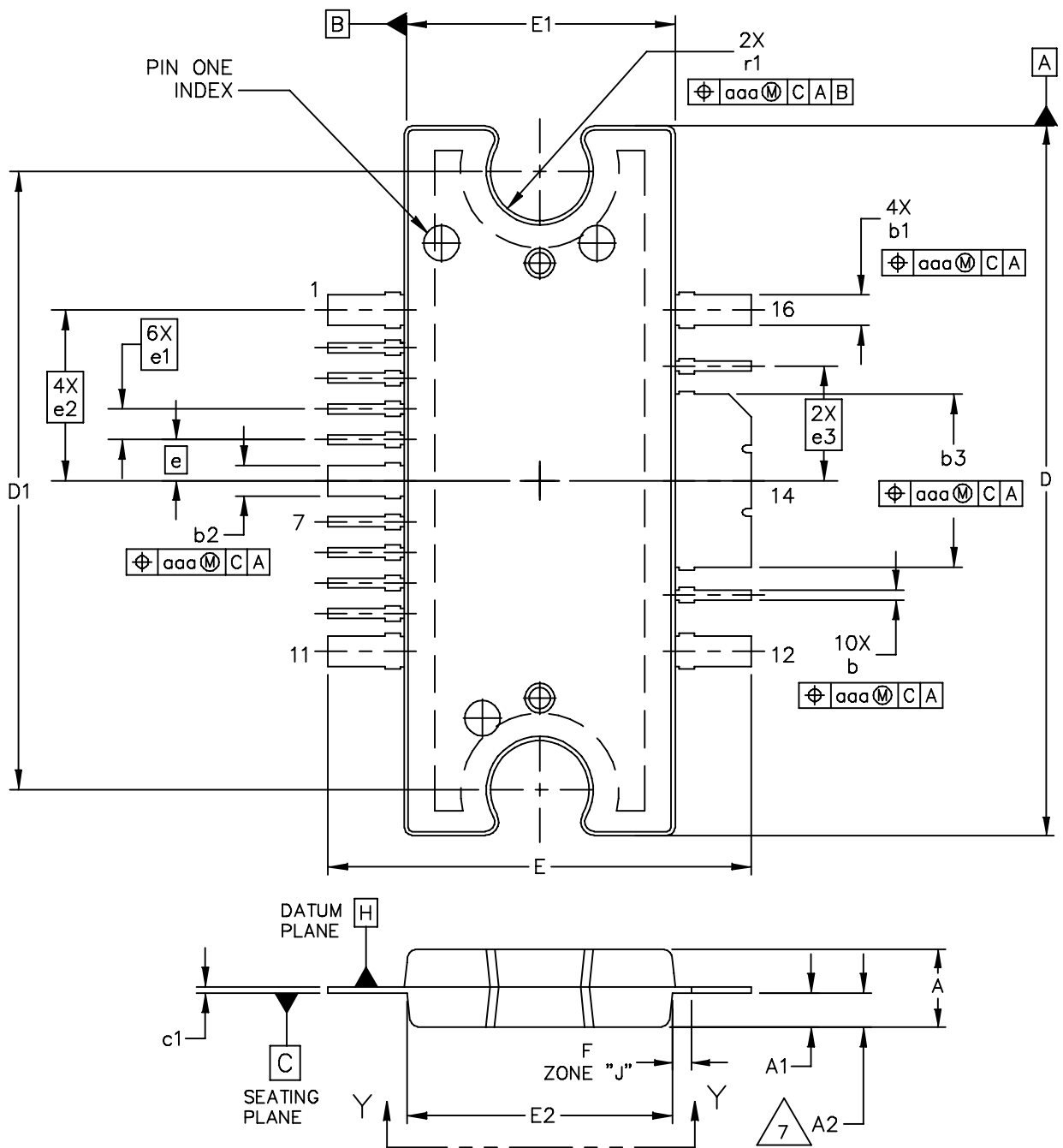


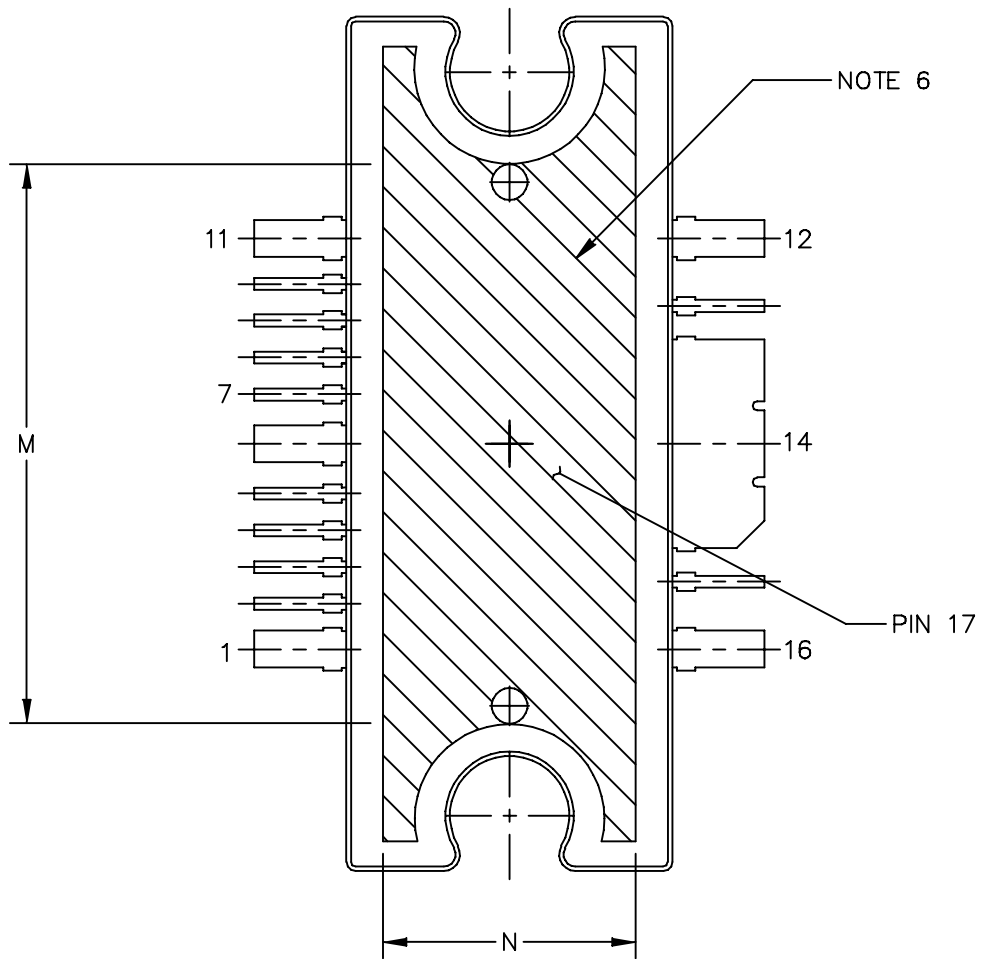
Figure 22. Series Equivalent Input and Load Impedance — TD-SCDMA

PACKAGE DIMENSIONS



© FREESCALE SEMICONDUCTOR, INC. ALL RIGHTS RESERVED.		MECHANICAL OUTLINE	PRINT VERSION NOT TO SCALE
TITLE: TO-272 WIDE BODY MULTI-LEAD		DOCUMENT NO: 98ARH99164A	REV: P
		CASE NUMBER: 1329-09	18 MAY 2010
		STANDARD: NON-JEDEC	

MW7IC2220NR1 MW7IC2220GNR1 MW7IC2220NBR1



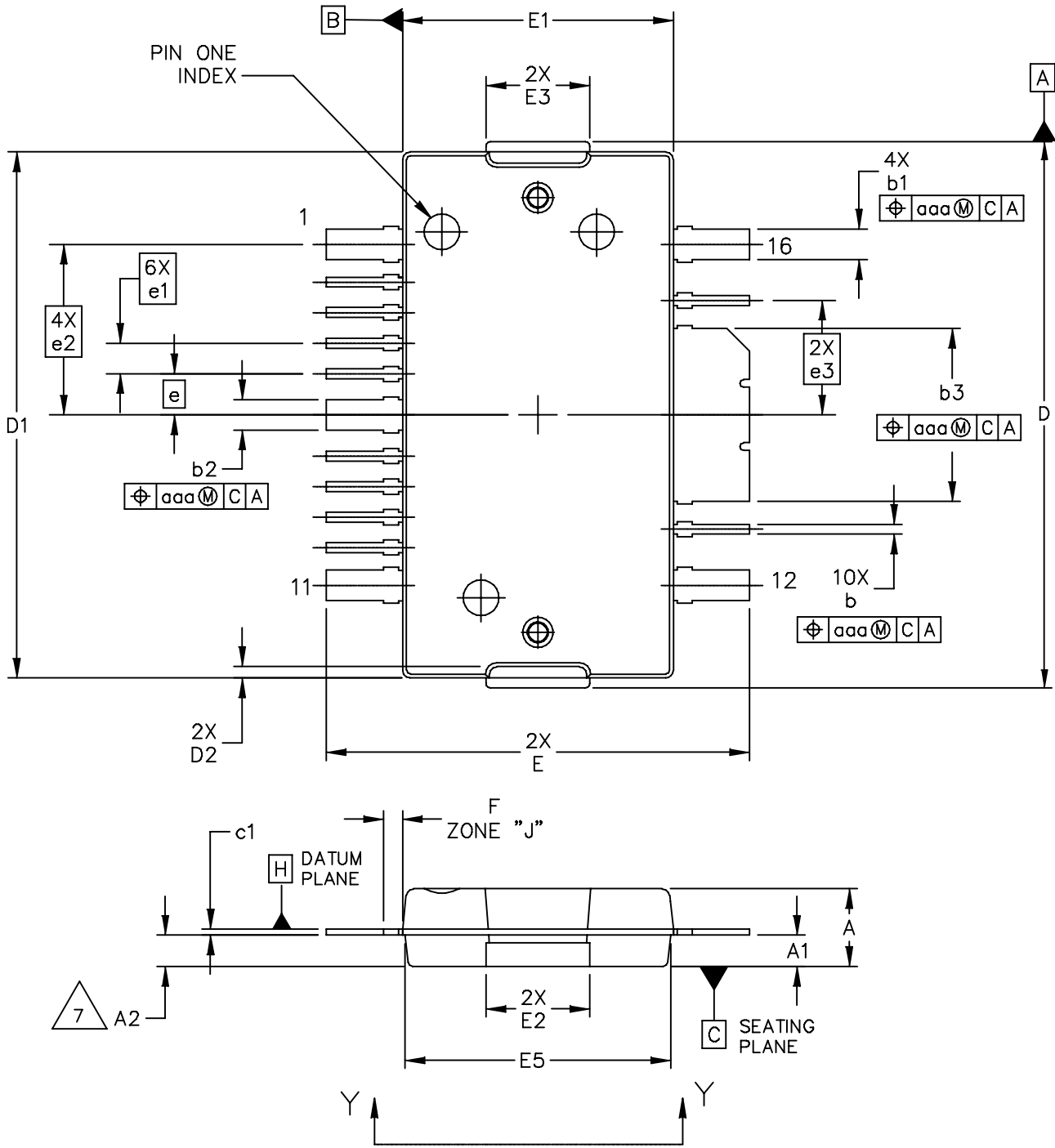
VIEW Y-Y

© FREESCALE SEMICONDUCTOR, INC. ALL RIGHTS RESERVED.	MECHANICAL OUTLINE	PRINT VERSION NOT TO SCALE	
TITLE: TO-272 WIDE BODY MULTI-LEAD		DOCUMENT NO: 98ARH99164A	REV: P
		CASE NUMBER: 1329-09	18 MAY 2010
		STANDARD: NON-JEDEC	

NOTES:

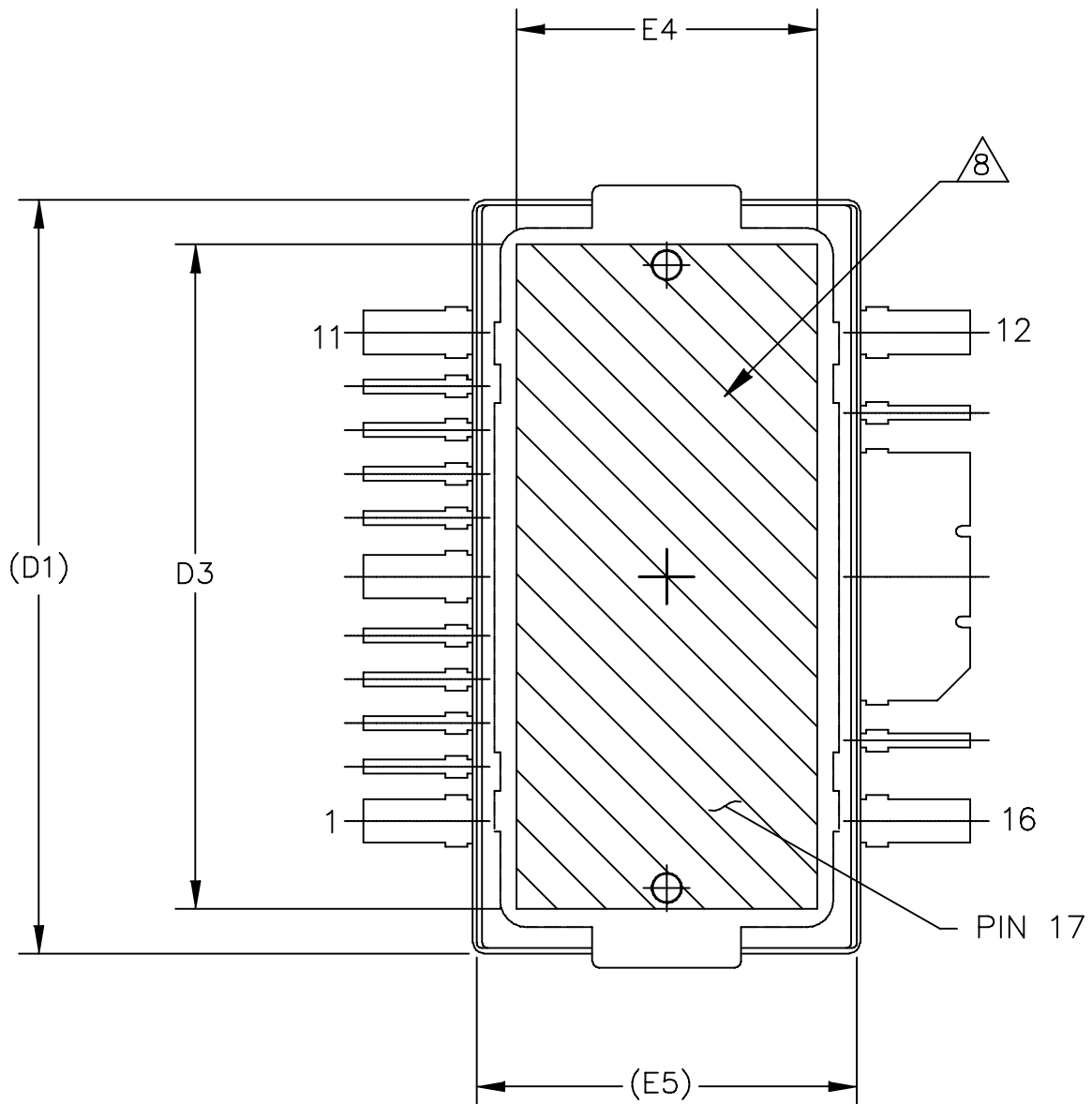
1. CONTROLLING DIMENSION: INCH
2. INTERPRET DIMENSIONS AND TOLERANCES PER ASME Y14.5M-1994.
3. DATUM PLANE -H- IS LOCATED AT THE TOP OF LEAD AND IS COINCIDENT WITH THE LEAD WHERE THE LEAD EXITS THE PLASTIC BODY AT THE TOP OF THE PARTING LINE.
4. DIMENSIONS "D" AND "E1" DO NOT INCLUDE MOLD PROTRUSION. ALLOWABLE PROTRUSION IS .006 (0.15) PER SIDE. DIMENSIONS "D" AND "E1" DO INCLUDE MOLD MISMATCH AND ARE DETERMINED AT DATUM PLANE -H-.
5. DIMENSIONS "b", "b1", "b2" AND "b3" DO NOT INCLUDE DAMBAR PROTRUSION. ALLOWABLE DAMBAR PROTRUSION SHALL BE .005 (0.13) TOTAL IN EXCESS OF THE "b", "b1", "b2" AND "b3" DIMENSIONS AT MAXIMUM MATERIAL CONDITION.
6. HATCHING REPRESENTS THE EXPOSED AREA OF THE HEAT SLUG. HATCHED AREA SHOWN IS ON THE SAME PLANE.
7. DIM A2 APPLIES WITHIN ZONE "J" ONLY.

DIM	INCH		MILLIMETER		DIM	INCH		MILLIMETER	
	MIN	MAX	MIN	MAX		MIN	MAX	MIN	MAX
A	.100	.104	2.54	2.64	b	.011	.017	0.28	0.43
A1	.038	.044	0.96	1.12	b1	.037	.043	0.94	1.09
A2	.040	.042	1.02	1.07	b2	.037	.043	0.94	1.09
D	.928	.932	23.57	23.67	b3	.225	.231	5.72	5.87
D1	.810 BSC		20.57 BSC		c1	.007	.011	.18	.28
E	.551	.559	14.00	14.20	e	.054 BSC		1.37 BSC	
E1	.353	.357	8.97	9.07	e1	.040 BSC		1.02 BSC	
E2	.346	.350	8.79	8.89	e2	.224 BSC		5.69 BSC	
F	.025 BSC		0.64 BSC		e3	.150 BSC		3.81 BSC	
M	.600	----	15.24	----	r1	.063	.068	1.6	1.73
N	.270	----	6.86	----	aaa	.004		.10	
© FREESCALE SEMICONDUCTOR, INC. ALL RIGHTS RESERVED.			MECHANICAL OUTLINE			PRINT VERSION NOT TO SCALE			
TITLE: TO-272 WIDE BODY MULTI-LEAD					DOCUMENT NO: 98ARH99164A			REV: P	
					CASE NUMBER: 1329-09			18 MAY 2010	
					STANDARD: NON-JEDEC				



© FREESCALE SEMICONDUCTOR, INC. ALL RIGHTS RESERVED.		MECHANICAL OUTLINE	PRINT VERSION NOT TO SCALE
TITLE: TO-270 WIDE BODY 16 LEAD	DOCUMENT NO: 98ASA10754D		REV: A
	CASE NUMBER: 1886-01		31 AUG 2007
	STANDARD: NON-JEDEC		

MW7IC2220NR1 MW7IC2220GNR1 MW7IC2220NBR1



VIEW Y-Y

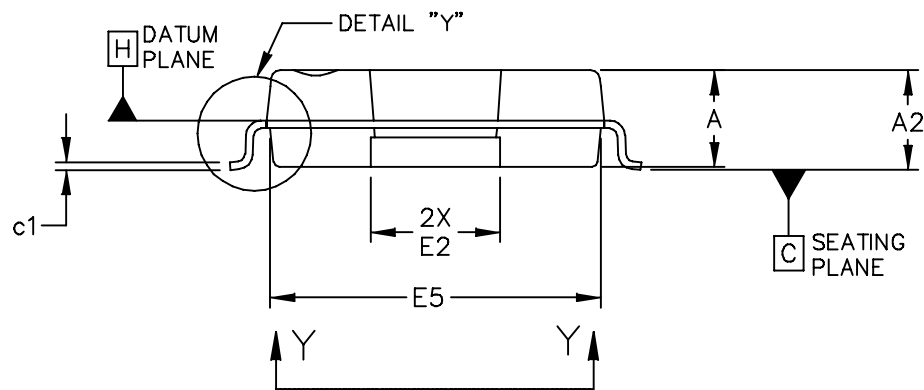
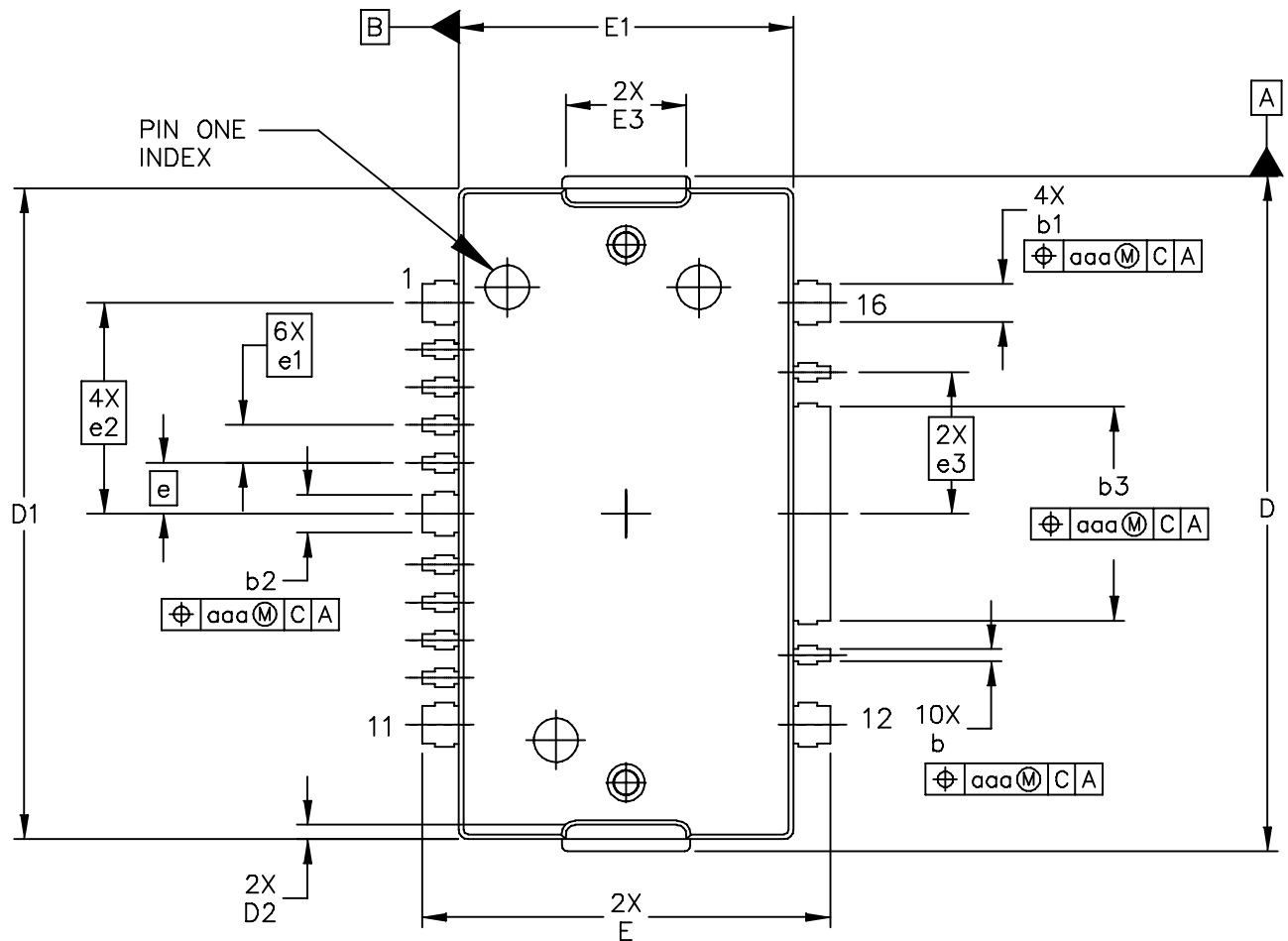
© FREESCALE SEMICONDUCTOR, INC. ALL RIGHTS RESERVED.	MECHANICAL OUTLINE	PRINT VERSION NOT TO SCALE	
TITLE: TO-270 WIDE BODY 16 LEAD		DOCUMENT NO: 98ASA10754D	REV: A
		CASE NUMBER: 1886-01	31 AUG 2007
		STANDARD: NON-JEDEC	

MW71C2220NR1 MW71C2220GNR1 MW71C2220NBR1

NOTES:

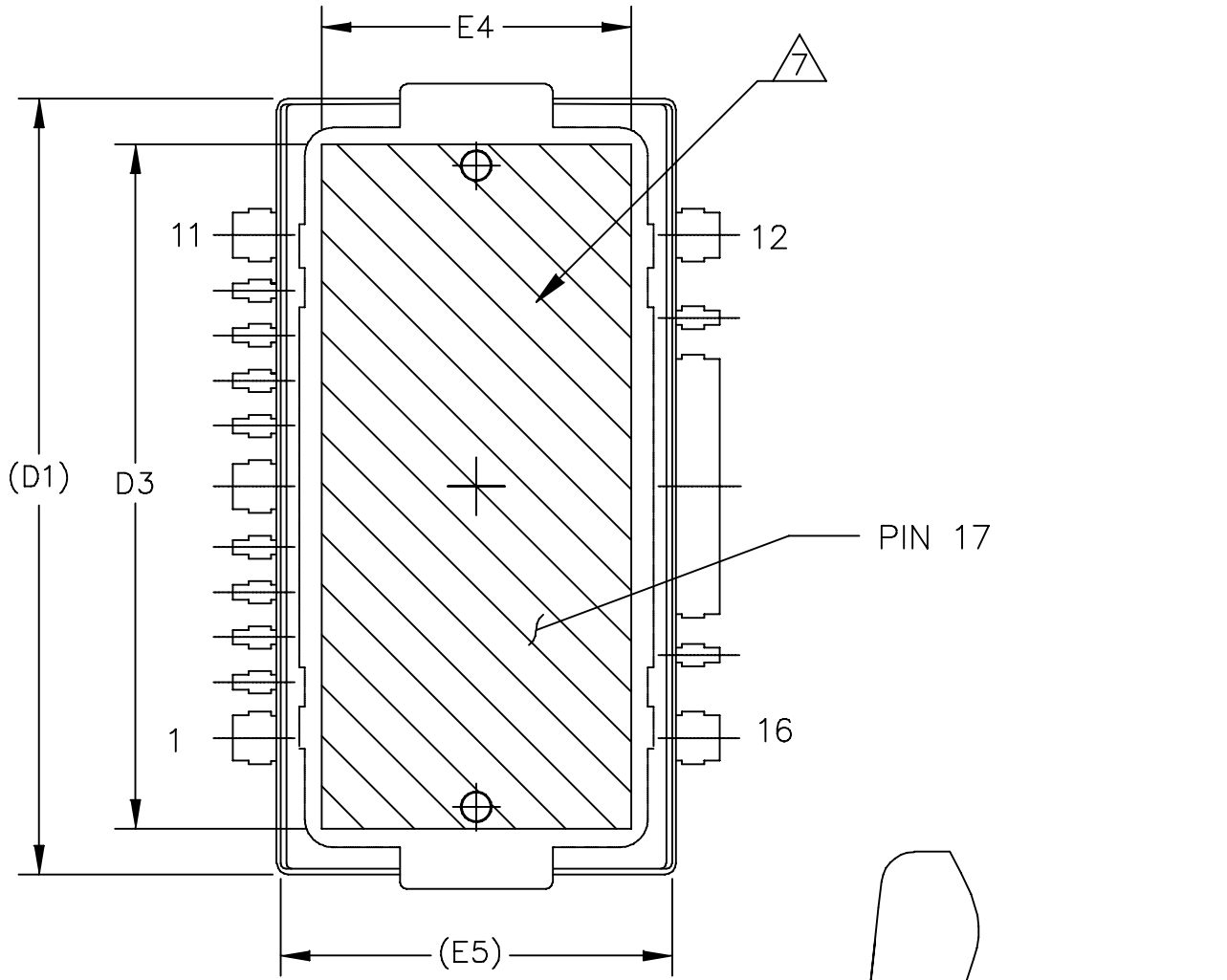
1. CONTROLLING DIMENSION: INCH
2. INTERPRET DIMENSIONS AND TOLERANCES PER ASME Y14.5M-1994.
3. DATUM PLANE -H- IS LOCATED AT THE TOP OF LEAD AND IS COINCIDENT WITH THE LEAD WHERE THE LEAD EXITS THE PLASTIC BODY AT THE TOP OF THE PARTING LINE.
4. DIMENSIONS "D" AND "E1" DO NOT INCLUDE MOLD PROTRUSION. ALLOWABLE PROTRUSION IS .006 (0.15) PER SIDE. DIMENSIONS "D" AND "E1" DO INCLUDE MOLD MISMATCH AND ARE DETERMINED AT DATUM PLANE -H-.
5. DIMENSIONS "b", "b1", "b2" AND "b3" DO NOT INCLUDE DAMBAR PROTRUSION. ALLOWABLE DAMBAR PROTRUSION SHALL BE .005 (0.13) TOTAL IN EXCESS OF THE "b", "b1", "b2" AND "b3" DIMENSIONS AT MAXIMUM MATERIAL CONDITION.
6. DATUM -A- AND -B- TO BE DETERMINED AT DATUM PLANE -H-.
7. DIMENSION A2 APPLIES WITHIN ZONE "J" ONLY.
8. HATCHING REPRESENTS THE EXPOSED AREA OF THE HEAT SLUG. HATCHED AREA SHOWN IS ON THE SAME PLANE.

DIM	INCH		MILLIMETER		DIM	INCH		MILLIMETER	
	MIN	MAX	MIN	MAX		MIN	MAX	MIN	MAX
A	.100	.104	2.54	2.64	F	.025 BSC		0.64 BSC	
A1	.039	.043	0.99	1.09	b	.011	.017	0.28	0.43
A2	.040	.042	1.02	1.07	b1	.037	.043	0.94	1.09
D	.712	.720	18.08	18.29	b2	.037	.043	0.94	1.09
D1	.688	.692	17.48	17.58	b3	.225	.231	5.72	5.87
D2	.011	.019	0.28	0.48	c1	.007	.011	.18	.28
D3	.600	---	15.24	---	e	.054 BSC		1.37 BSC	
E	.551	.559	14	14.2	e1	.040 BSC		1.02 BSC	
E1	.353	.357	8.97	9.07	e2	.224 BSC		5.69 BSC	
E2	.132	.140	3.35	3.56	e3	.150 BSC		3.81 BSC	
E3	.124	.132	3.15	3.35	aaa	.004		.10	
E4	.270	---	6.86	---					
E5	.346	.350	8.79	8.89					
© FREESCALE SEMICONDUCTOR, INC. ALL RIGHTS RESERVED.			MECHANICAL OUTLINE			PRINT VERSION NOT TO SCALE			
TITLE: TO-270 WIDE BODY 16 LEAD					DOCUMENT NO: 98ASA10754D			REV: A	
					CASE NUMBER: 1886-01			31 AUG 2007	
					STANDARD: NON-JEDEC				

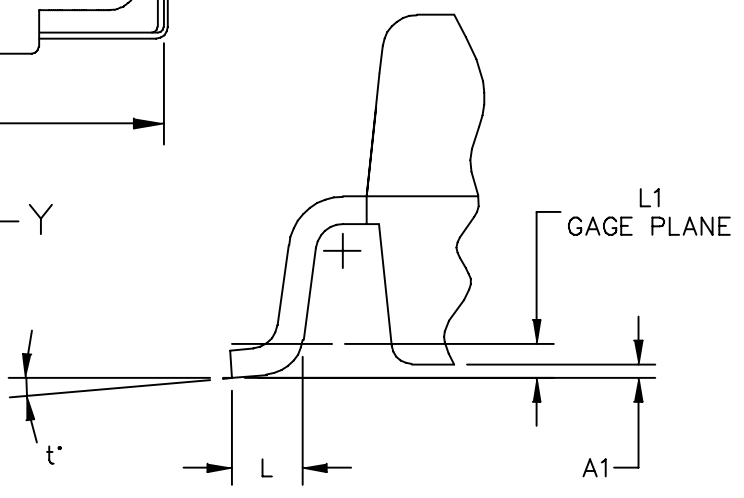


© FREESCALE SEMICONDUCTOR, INC. ALL RIGHTS RESERVED.		MECHANICAL OUTLINE		PRINT VERSION NOT TO SCALE	
TITLE: TO-270 WIDE BODY 16 LEAD, GULL WING	DOCUMENT NO: 98ASA10755D		REV: A		
	CASE NUMBER: 1887-01		31 AUG 2007		
	STANDARD: NON-JEDEC				

MW7IC2220NR1 MW7IC2220GNR1 MW7IC2220NBR1



VIEW Y-Y



DETAIL "Y"

© FREESCALE SEMICONDUCTOR, INC. ALL RIGHTS RESERVED.		MECHANICAL OUTLINE	PRINT VERSION NOT TO SCALE
TITLE: TO-270 WIDE BODY 16 LEAD, GULL WING	DOCUMENT NO: 98ASA10755D		REV: A
	CASE NUMBER: 1887-01		31 AUG 2007
	STANDARD: NON-JEDEC		

NOTES:

1. CONTROLLING DIMENSION: INCH
2. INTERPRET DIMENSIONS AND TOLERANCES PER ASME Y14.5M-1994.
3. DATUM PLANE -H- IS LOCATED AT THE TOP OF LEAD AND IS COINCIDENT WITH THE LEAD WHERE THE LEAD EXITS THE PLASTIC BODY AT THE TOP OF THE PARTING LINE.
4. DIMENSIONS "D" AND "E1" DO NOT INCLUDE MOLD PROTRUSION. ALLOWABLE PROTRUSION IS .006 (0.15) PER SIDE. DIMENSIONS "D" AND "E1" DO INCLUDE MOLD MISMATCH AND ARE DETERMINED AT DATUM PLANE -H-.
5. DIMENSIONS "b", "b1", "b2" AND "b3" DO NOT INCLUDE DAMBAR PROTRUSION. ALLOWABLE DAMBAR PROTRUSION SHALL BE .005 (0.13) TOTAL IN EXCESS OF THE "b", "b1", "b2" AND "b3" DIMENSIONS AT MAXIMUM MATERIAL CONDITION.
6. DATUM -A- AND -B- TO BE DETERMINED AT DATUM PLANE -H-.
7. HATCHING REPRESENTS EXPOSED AREA OF THE HEAT SLUG. HATCHED AREA SHOWN IS ON THE SAME PLANE.

DIM	INCH		MILLIMETER		DIM	INCH		MILLIMETER	
	MIN	MAX	MIN	MAX		MIN	MAX	MIN	MAX
A	.100	.104	2.54	2.64	L	.018	.024	0.46	0.61
A1	.001	.004	0.02	0.10	L1	.010 BSC		0.25 BSC	
A2	.099	.110	2.51	2.79	b	.011	.017	0.28	0.43
D	.712	.720	18.08	18.29	b1	.037	.043	0.94	1.09
D1	.688	.692	17.48	17.58	b2	.037	.043	0.94	1.09
D2	.011	.019	0.28	0.48	b3	.225	.231	5.72	5.87
D3	.600	---	15.24	---	c1	.007	.011	0.18	0.28
E	.429	.437	10.9	11.1	e	.054 BSC		1.37 BSC	
E1	.353	.357	8.97	9.07	e1	.040 BSC		1.02 BSC	
E2	.132	.140	3.35	3.56	e2	.224 BSC		5.69 BSC	
E3	.124	.132	3.15	3.35	e3	.150 BSC		3.81 BSC	
E4	.270	---	6.86	---	t	2'	8'	2'	8'
E5	.346	.350	8.79	8.89	aaa	.004		0.10	
© FREESCALE SEMICONDUCTOR, INC. ALL RIGHTS RESERVED.			MECHANICAL OUTLINE			PRINT VERSION NOT TO SCALE			
TITLE: TO-270 WIDE BODY 16 LEAD, GULL WING					DOCUMENT NO: 98ASA10755D			REV: A	
					CASE NUMBER: 1887-01			31 AUG 2007	
					STANDARD: NON-JEDEC				

PRODUCT DOCUMENTATION AND SOFTWARE

Refer to the following documents and software to aid your design process.

Application Notes

- AN1907: Solder Reflow Attach Method for High Power RF Devices in Plastic Packages
- AN1955: Thermal Measurement Methodology of RF Power Amplifiers
- AN1977: Quiescent Current Thermal Tracking Circuit in the RF Integrated Circuit Family
- AN1987: Quiescent Current Control for the RF Integrated Circuit Device Family
- AN3263: Bolt Down Mounting Method for High Power RF Transistors and RFICs in Over-Molded Plastic Packages
- AN3789: Clamping of High Power RF Transistors and RFICs in Over-Molded Plastic Packages

Engineering Bulletins

- EB212: Using Data Sheet Impedances for RF LDMOS Devices

Software

- Electromigration MTTF Calculator

For Software, do a Part Number search at <http://www.freescale.com>, and select the "Part Number" link. Go to the Software & Tools tab on the part's Product Summary page to download the respective tool.

REVISION HISTORY

The following table summarizes revisions to this document.

Revision	Date	Description
0	Sept. 2008	<ul style="list-style-type: none">• Initial Release of Data Sheet
1	Jan. 2009	<ul style="list-style-type: none">• Added Fig. 13, MTTF versus Junction Temperature, p. 8
2	May 2011	<ul style="list-style-type: none">• Modified data sheet to reflect RF Test Reduction described in Product and Process Change Notification number, PCN13628, p. 1, 3• Fig. 3, Test Circuit Schematic, Z-list, changed Z13, Z14 from 0.564" x 0.083" Microstrip to 1.042" x 0.083" Microstrip, p. 4• Fig. 18, Test Circuit Schematic, Z-list, changed Z11, Z12 from 0.564" x 0.083" Microstrip to 1.042" x 0.083" Microstrip, p. 13• Changed ESD Human Body Model rating from Class 1B to Class 0 to reflect recent ESD test results of the device, p. 2• Fig. 13, MTTF versus Junction Temperature removed, p. 8. Refer to the device's MTTF Calculator available at freescale.com/RFpower. Go to Design Resources > Software and Tools.• Updated Fig. 14, CCDF W-CDMA IQ Magnitude Clipping, Single-Carrier Test Signal to better represent production test signal, p. 8 (renumbered as Fig. 13 after Fig. 13 removed)• Updated Fig. 15, Single-Carrier W-CDMA Spectrum to show the undistorted input test signal, p. 8 (renumbered as Fig. 14 after Fig. 13 removed)• Added AN3789, Clamping of High Power RF Transistors and RFICs in Over-Molded Plastic Packages to Product Documentation, Application Notes, p. 26• Added Electromigration MTTF Calculator availability to Product Software, p. 26

How to Reach Us:

Home Page:

www.freescale.com

Web Support:

<http://www.freescale.com/support>

USA/Europe or Locations Not Listed:

Freescale Semiconductor, Inc.
Technical Information Center, EL516
2100 East Elliot Road
Tempe, Arizona 85284
1-800-521-6274 or +1-480-768-2130
www.freescale.com/support

Europe, Middle East, and Africa:

Freescale Halbleiter Deutschland GmbH
Technical Information Center
Schatzbogen 7
81829 Muenchen, Germany
+44 1296 380 456 (English)
+46 8 52200080 (English)
+49 89 92103 559 (German)
+33 1 69 35 48 48 (French)
www.freescale.com/support

Japan:

Freescale Semiconductor Japan Ltd.
Headquarters
ARCO Tower 15F
1-8-1, Shimo-Meguro, Meguro-ku,
Tokyo 153-0064
Japan
0120 191014 or +81 3 5437 9125
support.japan@freescale.com

Asia/Pacific:

Freescale Semiconductor China Ltd.
Exchange Building 23F
No. 118 Jianguo Road
Chaoyang District
Beijing 100022
China
+86 10 5879 8000
support.asia@freescale.com

For Literature Requests Only:

Freescale Semiconductor Literature Distribution Center
1-800-441-2447 or +1-303-675-2140
Fax: +1-303-675-2150
LDCForFreescaleSemiconductor@hibbertgroup.com

Information in this document is provided solely to enable system and software implementers to use Freescale Semiconductor products. There are no express or implied copyright licenses granted hereunder to design or fabricate any integrated circuits or integrated circuits based on the information in this document.

Freescale Semiconductor reserves the right to make changes without further notice to any products herein. Freescale Semiconductor makes no warranty, representation or guarantee regarding the suitability of its products for any particular purpose, nor does Freescale Semiconductor assume any liability arising out of the application or use of any product or circuit, and specifically disclaims any and all liability, including without limitation consequential or incidental damages. "Typical" parameters that may be provided in Freescale Semiconductor data sheets and/or specifications can and do vary in different applications and actual performance may vary over time. All operating parameters, including "Typicals", must be validated for each customer application by customer's technical experts. Freescale Semiconductor does not convey any license under its patent rights nor the rights of others. Freescale Semiconductor products are not designed, intended, or authorized for use as components in systems intended for surgical implant into the body, or other applications intended to support or sustain life, or for any other application in which the failure of the Freescale Semiconductor product could create a situation where personal injury or death may occur. Should Buyer purchase or use Freescale Semiconductor products for any such unintended or unauthorized application, Buyer shall indemnify and hold Freescale Semiconductor and its officers, employees, subsidiaries, affiliates, and distributors harmless against all claims, costs, damages, and expenses, and reasonable attorney fees arising out of, directly or indirectly, any claim of personal injury or death associated with such unintended or unauthorized use, even if such claim alleges that Freescale Semiconductor was negligent regarding the design or manufacture of the part.

Freescale™ and the Freescale logo are trademarks of Freescale Semiconductor, Inc. All other product or service names are the property of their respective owners.

© Freescale Semiconductor, Inc. 2008-2009, 2011. All rights reserved.



X-ON Electronics

Largest Supplier of Electrical and Electronic Components

Click to view similar products for [RF Amplifier](#) category:

Click to view products by [Freescale](#) manufacturer:

Other Similar products are found below :

[ADPA7006AEHZ](#) [CXE2089ZSR](#) [MGA-43828-BLKG](#) [A82-1](#) [RF2878TR7](#) [BGA 728L7 E6327](#) [BGB719N7ESDE6327XTMA1](#) [HMC1126-SX](#) [HMC342](#) [HMC561-SX](#) [HMC598-SX](#) [HMC-ALH382-SX](#) [HMC-ALH476-SX](#) [SE2433T-R](#) [SE2622L-R](#) [SMA3101-TL-E](#) [SMA39](#) [SMA70-1](#) [A66-1](#) [A66-3](#) [A67-1](#) [LX5535LQ](#) [LX5540LL](#) [RF2373TR7](#) [HMC3653LP3BETR](#) [HMC395](#) [HMC549MS8GETR](#) [HMC576-SX](#) [HMC754S8GETR](#) [HMC-ALH435-SX](#) [SMA101](#) [SMA1031](#) [SMA181](#) [SMA32](#) [SMA411](#) [SMA531](#) [SST12LP17E-XX8E](#) [SST12LP19E-QX6E](#) [TGA2598](#) [WPM0510A](#) [HMC5929LS6TR](#) [HMC5879LS7TR](#) [HMC906A-SX](#) [HMC1127](#) [HMC544A](#) [HMC1126](#) [HMC1110-SX](#) [HMC1087F10](#) [HMC1086](#) [HMC1016](#)