

QorIQ P1010 Reference Design Board ☆

[Overview](#) | [Documentation](#) | [Downloads](#) | [Buy / Specifications](#) | [Training & Support](#)
[Featured Videos](#)
[Buy](#) | [Download Evaluation](#)

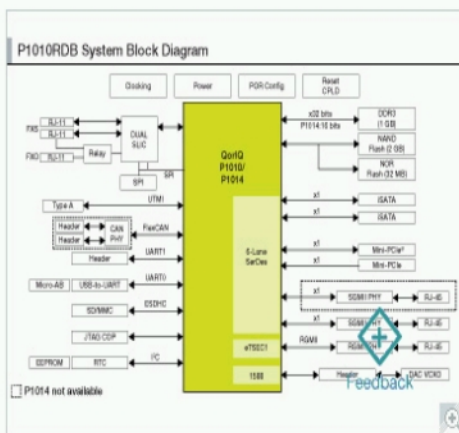
The P1010 RDB is a highly integrated reference design board that can help shorten your time to market. The reference design is aimed at low-cost networking applications (with or without trust architecture), wired and wireless access, industrial and smart energy applications.

Features

- Supports trust architecture
- 1GB DDR3
- 2x PCI Express®
- 2x SATA
- 3x Gb Ethernet ports
- TDM interface to SLIC for VoIP applications
- 2X FlexCAN interfaces for industrial protocol developing
- Mini ITX form factor

Related Software and Tools

[PE_QORIQ_OPTI_SUITE](#): Processor Expert QorIQ Optimization Suite
[SDKLINUX](#): Linux® SDK for QorIQ Processors
[CW-PA](#): CodeWarrior Development Studio for Power Architecture® Technology (Eclipse) v10.4

[More ▾](#)


Supported Devices

P1010: QorIQ P1010/14 Low-Power Communications Processors with Trust Architecture

Featured Documentation

P1010RDBFS: QorIQ P1010 RDB - Fact Sheet

Current Updates and Releases

SDKLINUX: Linux® SDK for QorIQ Processors

See what other engineers are interested in:

What's This?

Products
 P1010: QorIQ P1010/14 Low-Powe...
 P1020: QorIQ P1020/11 Single- ...
 P2020: QorIQ P2020/10 Single- ...

Documentation
 QorIQ P1010 RDB - Fact Sheet
 P1010 QorIQ Integrated Process...
 QorIQ P1010 and P1014 Communic...

Software and Tools
 SDKLINUX: Linux® SDK for ...
 P1020/P1011 QorIQ Reference De...
 P2020RDB: P2020 Reference Desi...

Applications
 Wireless LAN (WLAN) Acces...
 Network Attached Storage
 Single Board Computer

X-ON Electronics

Largest Supplier of Electrical and Electronic Components

Click to view similar products for [Microprocessors - MPU category](#):

Click to view products by [Freescale manufacturer](#):

Other Similar products are found below :

[MC68302EH20C](#) [MC7457RX1000LC](#) [MC7457RX1267LC](#) [MC7457VG1267LC](#) [A2C00010998 A](#) [A2C52004004](#) [R5F117BCGNA#20](#)
[R5F52106BDLA#U0](#) [R5S72690W266BG#U0](#) [ADJ3400IAA5DOE](#) [MPC8245TVV266D](#) [MPC8245TZU300D](#) [MPC8260ACVVMHBB](#)
[MPC8323ECVRAFDCA](#) [MPC8323VRADDCA](#) [MPC8536ECVJAVLA](#) [BOXNUC5PGYH0AJ](#) [20-668-0024](#) [P1010NSN5DFB](#)
[P2010NSE2KHC](#) [P2010NSN2MHC](#) [P2020NXE2HHC](#) [P5020NSE7QMB](#) [P5020NSE7TNB](#) [P5020NSE7VNB](#) [LS1020ASN7KQB](#)
[LS1020AXN7HNB](#) [LS1020AXN7KQB](#) [A2C00010729 A](#) [A2C00039344](#) [T1022NSE7MQB](#) [T1022NXN7PQB](#) [T1023NSE7MQA](#)
[T1024NXE7PQA](#) [T1042NSE7MQB](#) [T1042NSN7MQB](#) [T1042NXN7WQB](#) [T2080NSE8TTB](#) [T2080NSN8PTB](#) [T2080NXE8TTB](#)
[T2081NXN8TTB](#) [R5F101AFASP#V0](#) [MC68302CEH20C](#) [TS68040MF33A](#) [MPC8260ACVVMIBB](#) [MPC8280CZUUPEA](#)
[MPC8313ECVRAFFC](#) [MPC8313ECVRAGDC](#) [MPC8313EVRADDC](#) [MPC8313EVRAFFC](#)