

3-Wire Serial EEPROM

1K, 2K and 4Kbit (8-bit or 16-bit wide)

FEATURES

- Standard Voltage and Low Voltage Operation:
 - FT93C46/56/66: $V_{CC} = 2.5V$ to $5.5V$
 - FT93C46A/56A/66A: $V_{CC} = 1.8V$ to $5.5V$
- User Selectable Internal Organization:
 - FT93C46: 128 x 8 or 64 x 16
 - FT93C56: 256 x 8 or 128 x 16
 - FT93C66: 512 x 8 or 256 x 16
- 2 MHz Clock Rate (5V) Compatibility.
- Industry Standard 3-wire Serial Interface.
- Self-Timed ERASE/WRITE Cycles (5ms max including auto-erase).
- Automatic ERAL before WRAL.
- Sequential READ Function.
- High Reliability: Typical 1 Million Erase/Write Cycle Endurance.
- 100 Years Data Retention.
- Industrial Temperature Range ($-40^{\circ}C$ to $85^{\circ}C$).
- Standard 8-pin DIP/SOP/TSSOP/DFN Pb-free Packages.

DESCRIPTION

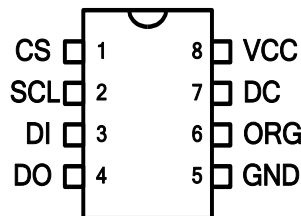
The FT93C46/56/66 series are 1024/2048/4096 bits of serial Electrical Erasable and Programmable Read Only Memory, commonly known as EEPROM. They are organized as 64/128/256 words of 16 bits each when the ORG pin is connected to V_{CC} (or unconnected) and 128/256/512 words of 8 bits (1 byte) each when the ORG pin is tied to ground. The devices are fabricated with proprietary advanced CMOS process for low power and low voltage applications. These devices are available in standard 8-lead DIP, 8-lead JEDEC SOP, 8-lead TSSOP and 8-lead DFN packages. Our extended V_{CC} range (1.8V to 5.5V) devices enables wide spectrum of applications.

The FT93C46/56/66 is enabled through the Chip Select pin (CS), and accessed via a 3-wire serial interface consisting of Data Input (DI), Data Output (DO), and Shift Clock (SCL). Upon receiving a READ instruction at DI, the address is decoded and the data is clocked out serially on the data output pin DO. The WRITE cycle is completely self-timed and no separate ERASE cycle is required before WRITE. The WRITE cycle is only enabled when the part is in the ERASE/WRITE ENABLE state. Once a device begins its self-timed program procedure, the data out pin (DO) can indicate the READY/BUSY status by rising chip select (CS).

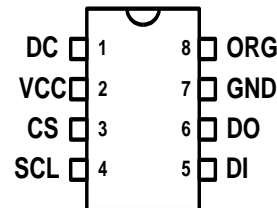
PIN CONFIGURATION

| Pin Name | Pin Function |
|----------|-----------------------|
| CS | Chip Select |
| SCL | Serial Clock |
| DI | Serial Data Input |
| DO | Serial Data Output |
| ORG | Internal Organization |
| DC | Don't Connect |
| VCC | Power Supply |
| GND | Ground |

All these packaging types come in Pb-free certified.



8L DIP
8L SOP
8L TSSOP
8L DFN



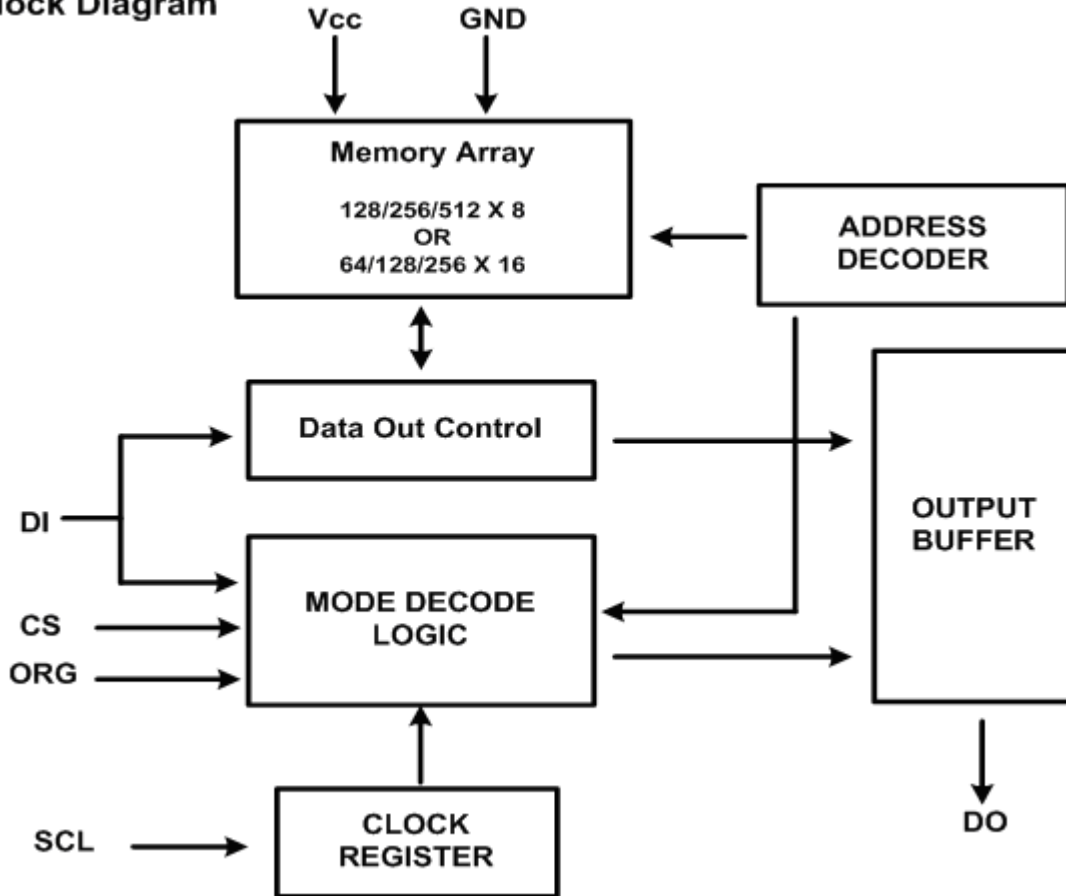
8L SOP
Rotated (R)
93C46 only

ABSOLUTE MAXIMUM RATINGS

| | |
|--|--------------------------|
| Industrial operating temperature: | -40°C to 85°C |
| Storage temperature: | -50°C to 125°C |
| Input voltage on any pin relative to ground: | -0.3V to $V_{CC} + 0.3V$ |
| Maximum voltage: | 8V |

*** Stresses exceed those listed under “Absolute Maximum Rating” may cause permanent damage to the device. Functional operation of the device at conditions beyond those listed in the specification is not guaranteed. Prolonged exposure to extreme conditions may affect device reliability or functionality.**

Block Diagram



PIN DESCRIPTIONS

(A) SERIAL CLOCK (SCL)

The rising edge of this SCL input is to latch data into the EEPROM device while the rising edge of this clock is to clock data out of the EEPROM device.

(B) CHIP SELECT (CS)

This is the chip select input signal for the serial EEPROM device.

(C) SERIAL DATA INPUT (DI)

This is data input signal for the serial device.

(D) SERIAL DATA OUTPUT (DO)

This is data output signal for the serial device.

(E) INTERNAL ORGANIZATION (ORG)

This is internal organization input signal for the serial EEPROM device. When the ORG pin is connected to VCC or unconnected the EEPROM is organized as 64/128/256 word of 16 bits each and when ORG pin is connected to ground the EEPROM is organized as 128/256/512 byte of 8 bits each. Typically, these signals are hardwired to either V_{IH} or V_{IL} . If left unconnected, they are internally recognized as V_{IH} .

MEMORY ORGANIZATION

The FT93C46/56/66 memory is organized either as bytes (x8) or as words (x16). If Internal Organization (ORG) is unconnected (or connected to VCC) the words (x16) organization is selected; When Internal Organization is connected to ground the bytes (x8) organization is selected.

INSTRUCTION SET for the FT93C46

| Instruction | SB | Op Code | Address | | Data | | Comments |
|-------------|----|---------|---------------------------------|---------------------------------|---------------------------------|----------------------------------|--|
| | | | x 8 | x 16 | x 8 | x 16 | |
| READ | 1 | 10 | A ₆ - A ₀ | A ₅ - A ₀ | | | Reads data stored in memory, at specified address. |
| EWEN | 1 | 00 | 11xxxxx | 11xxxx | | | Write enable must precede all programming modes. |
| EWDS | 1 | 00 | 00xxxxx | 00xxxx | | | Disables all programming instructions. |
| ERASE | 1 | 11 | A ₆ - A ₀ | A ₅ - A ₀ | | | Erase memory location A _n - A ₀ . |
| WRITE | 1 | 01 | A ₆ - A ₀ | A ₅ - A ₀ | D ₇ - D ₀ | D ₁₅ - D ₀ | Writes memory location A _n - A ₀ . |
| ERAL | 1 | 00 | 10xxxxx | 10xxxx | | | Erases all memory locations. |
| WRAL | 1 | 00 | 01xxxxx | 01xxxx | D ₇ - D ₀ | D ₁₅ - D ₀ | Writes all memory locations. |

INSTRUCTION SET for the FT93C56 and FT93C66

| Instruction | SB | Op Code | Address | | Data | | Comments |
|-------------|----|---------|---------------------------------|---------------------------------|---------------------------------|----------------------------------|--|
| | | | x 8 | x 16 | x 8 | x 16 | |
| READ | 1 | 10 | A ₈ - A ₀ | A ₇ - A ₀ | | | Reads data stored in memory, at specified address. |
| EWEN | 1 | 00 | 11xxxxxxxx | 11xxxxxxxx | | | Write enable must precede all programming modes. |
| EWDS | 1 | 00 | 00xxxxxxxx | 00xxxxxxxx | | | Disables all programming instructions. |
| ERASE | 1 | 11 | A ₈ - A ₀ | A ₇ - A ₀ | | | Erase memory location A _n - A ₀ . |
| WRITE | 1 | 01 | A ₈ - A ₀ | A ₇ - A ₀ | D ₇ - D ₀ | D ₁₅ - D ₀ | Writes memory location A _n - A ₀ . |
| ERAL | 1 | 00 | 10xxxxxxxx | 10xxxxxxxx | | | Erases all memory locations. |
| WRAL | 1 | 00 | 01xxxxxxxx | 01xxxxxxxx | D ₇ - D ₀ | D ₁₅ - D ₀ | Writes all memory locations. |

(A) START BIT (SB)

Each instruction is preceded by a rising edge on Chip Select (CS) with Serial Clock (SCL) being held Low.

(B) OPERATION CODE (OP-CODE)

Two op-code bits, read on Serial Data Input (DI) during the rising edge of Serial Clock (SCL).

(C) ADDRESS

The address bits of the byte or word that is to be accessed. For the FT93C46, the address is made up of 6 bits for the x16 organization or 7 bits for x8 organization. For the FT93C56, the address is made up of 7 bits for the x16 organization or 8 bits for x8 organization. For the FT93C66, the address is made up of 8 bits for the x16 organization or 9 bits for x8 organization.

(D) DATA

The data bits of the byte or word that is to be accessed. For the FT93C46/56/66, the data is made up of 16 bits (word) for the x16 organization or 8 bits (byte) for x8 organization.

INSTRUCTION SETS DESCRIPTION

(A) READ

The Read (READ) instruction contains the Address code for the memory location to be read. After the instruction and address are decoded, data from the selected memory location is available at the serial output pin DO. Output data changes are synchronized with the rising edges of serial clock SK. It should be noted that when a dummy bit (logic “0”) precedes the 8- or 16-bit data output string.

(B) ERASE/WRITE ENABLE

To assure data integrity, the part automatically goes into the Erase/Write Disable (EWDS) state when power is first applied. An Erase/Write Enable (EWEN) instruction must be executed first before any programming instructions can be carried out. Please note that once in the Erase/Write Enable state, programming remains enabled until an Erase/Write Disable (EWDS) instruction is executed or V_{CC} power is removed from the part.

(C) ERASE/WRITE DISABLE

To protect against accidental data disturb, the Erase/Write Disable (EWDS) instruction disables all programming modes and should be executed after all programming operations. The operation of the READ instruction is independent of both the EWEN and EWDS instructions and can be executed at any time.

(D) ERASE

The Erase (ERASE) instruction programs all bits in the specified memory location to the logical “1” state. The self-timed erase cycle starts once the ERASE instruction and address are decoded. The DO pin outputs the READY/BUSY status of the part if CS is brought high after being kept low for a minimum of 250 ns (t_{CS}). A logic “1” at pin DO indicates that the selected memory location has been erased, and the part is ready for another instruction.

(E) WRITE

The Write (WRITE) instruction contains the 8 or 16 bits of data to be written into the specified memory location. The self-timed programming cycle, t_{WP} , starts after the last bit of data is received at serial data input pin DI. The DO pin outputs the READY/BUSY status of the part if CS is brought high after being kept low for a minimum of 250 ns (t_{CS}). A logic “0” at DO indicates that programming is still in progress. A logic “1” indicates that the memory location at the specified address has been written with the data pattern contained in the instruction and the part is ready for further instructions. A READY/BUSY status cannot be obtained if the CS is brought high after the end of the self-timed programming cycle, t_{WP} .

(F) ERASE ALL

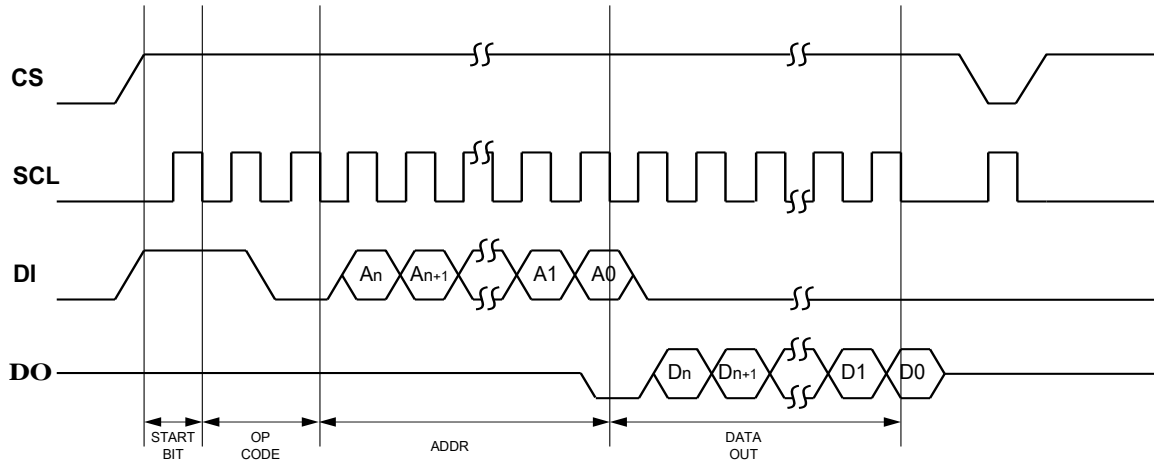
The Erase All (ERAL) instruction programs every bit in the memory array to the logic “1” state and is primarily used for testing purposes. The DO pin outputs the READY/BUSY status of the part if CS is brought high after being kept low for a minimum of 250 ns (t_{CS}). The ERAL instruction is valid only at $V_{CC} = 5.0V \pm 10\%$.

(G) WRITE ALL

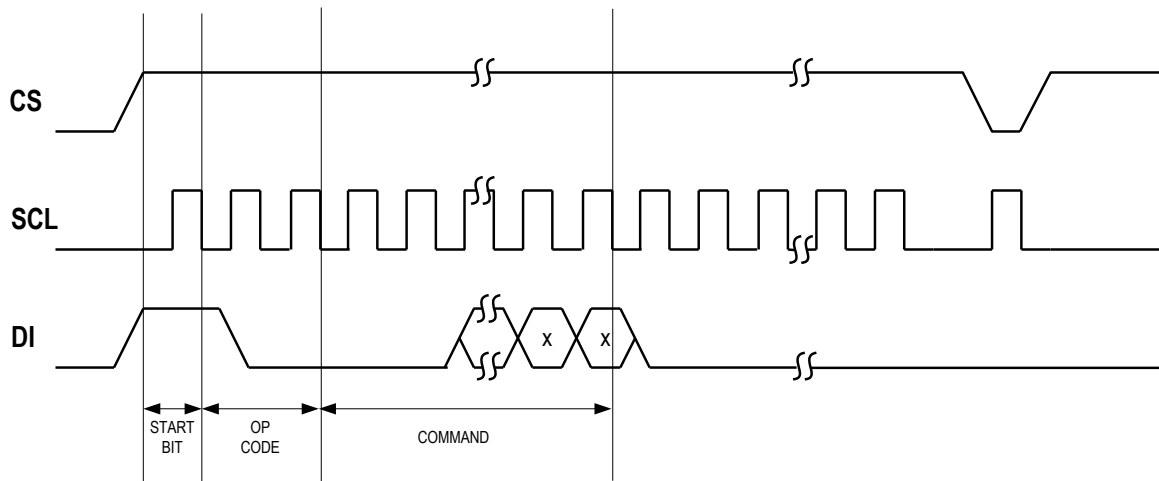
The Write All (WRAL) instruction programs all memory locations with the data patterns specified in the instruction. The DO pin outputs the READY/BUSY status of the part if CS is brought high after being kept low for a minimum of 250 ns (t_{CS}). The WRAL instruction is valid only at $V_{CC} = 5.0V \pm 10\%$.

Timing Diagrams

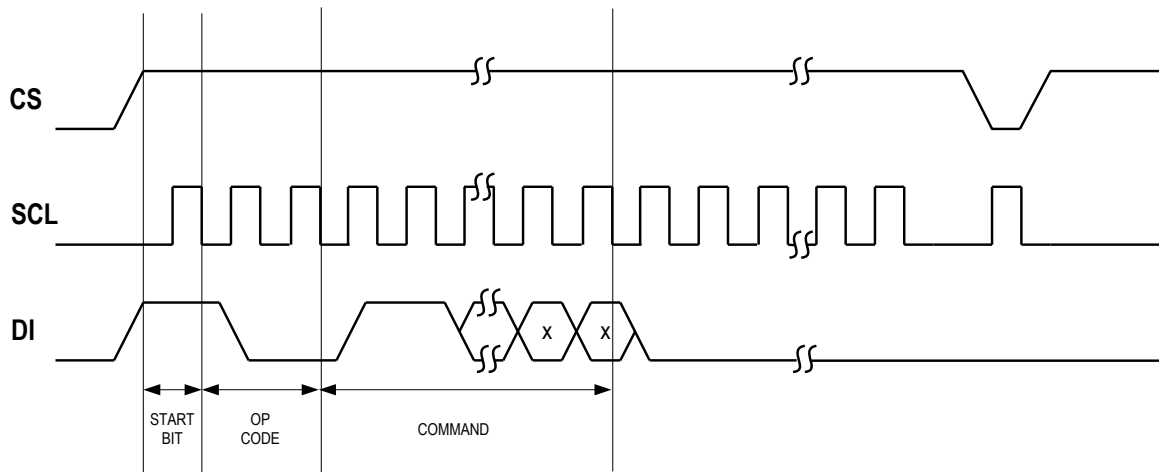
READ Timing



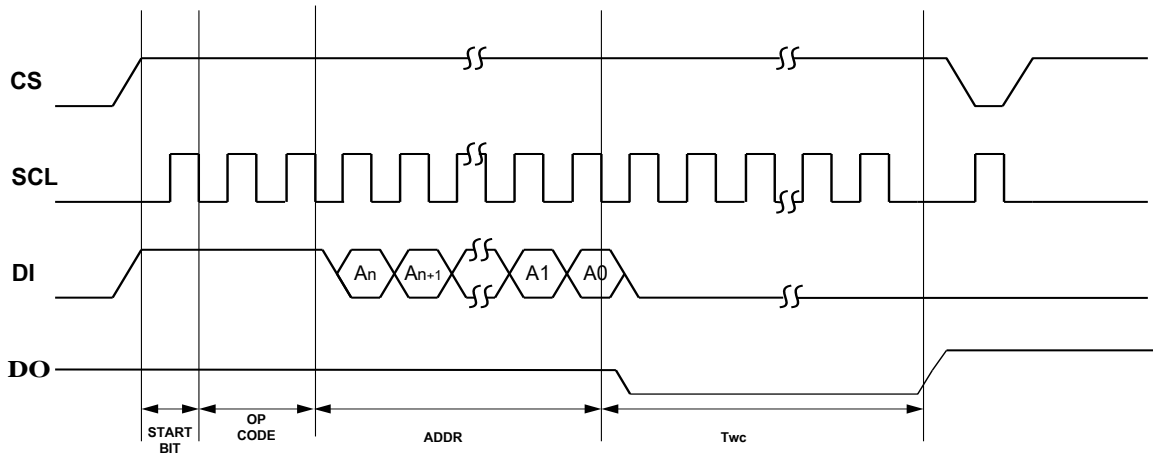
EWDS Timing



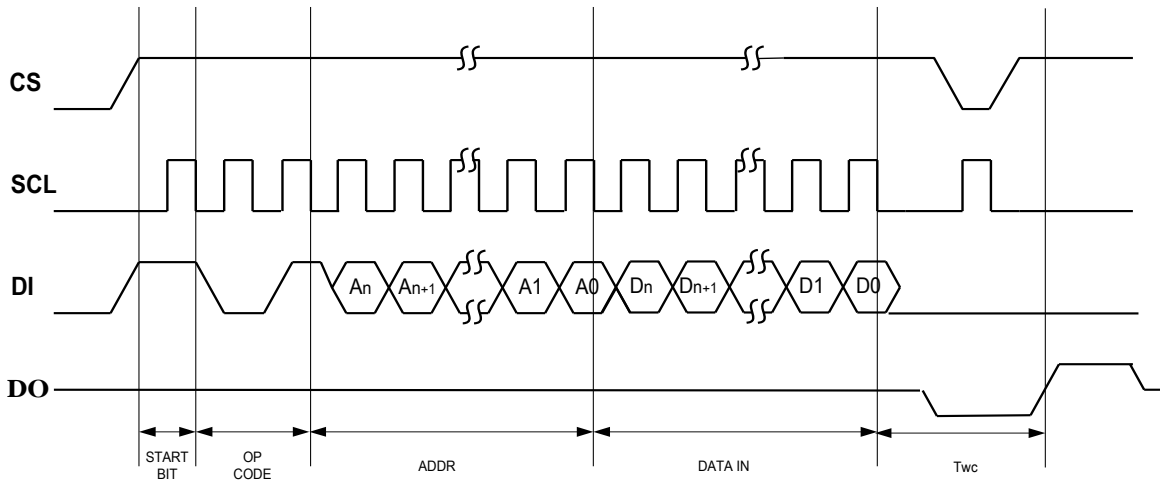
EWEN Timing



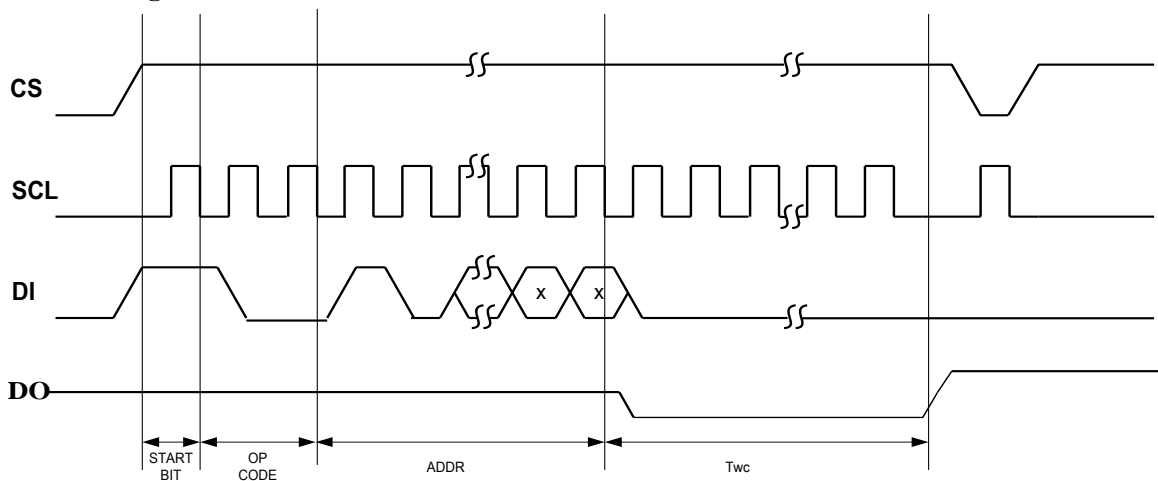
ERASE Timing



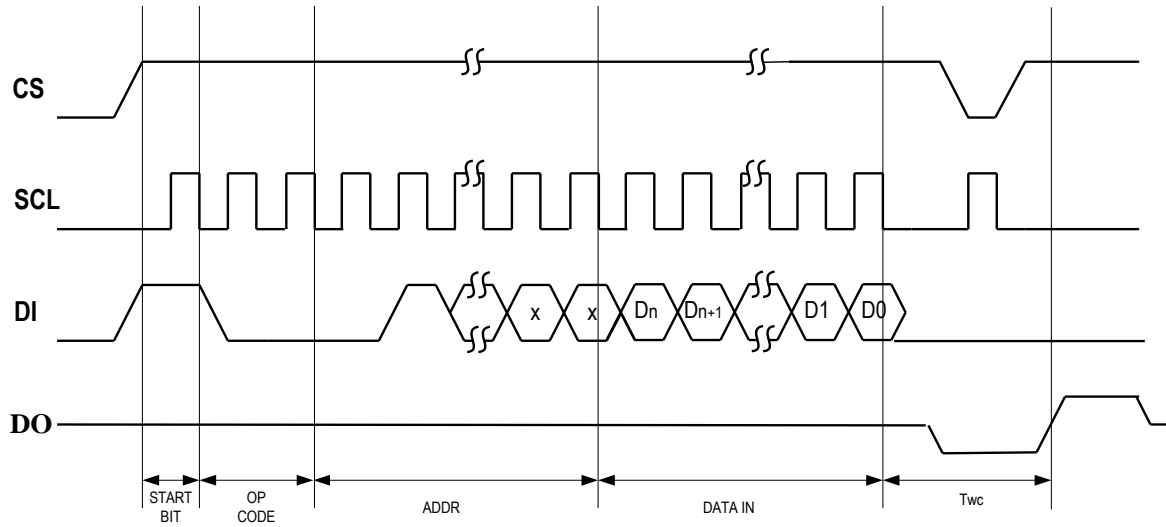
WRITE Timing



ERAL Timing (1)

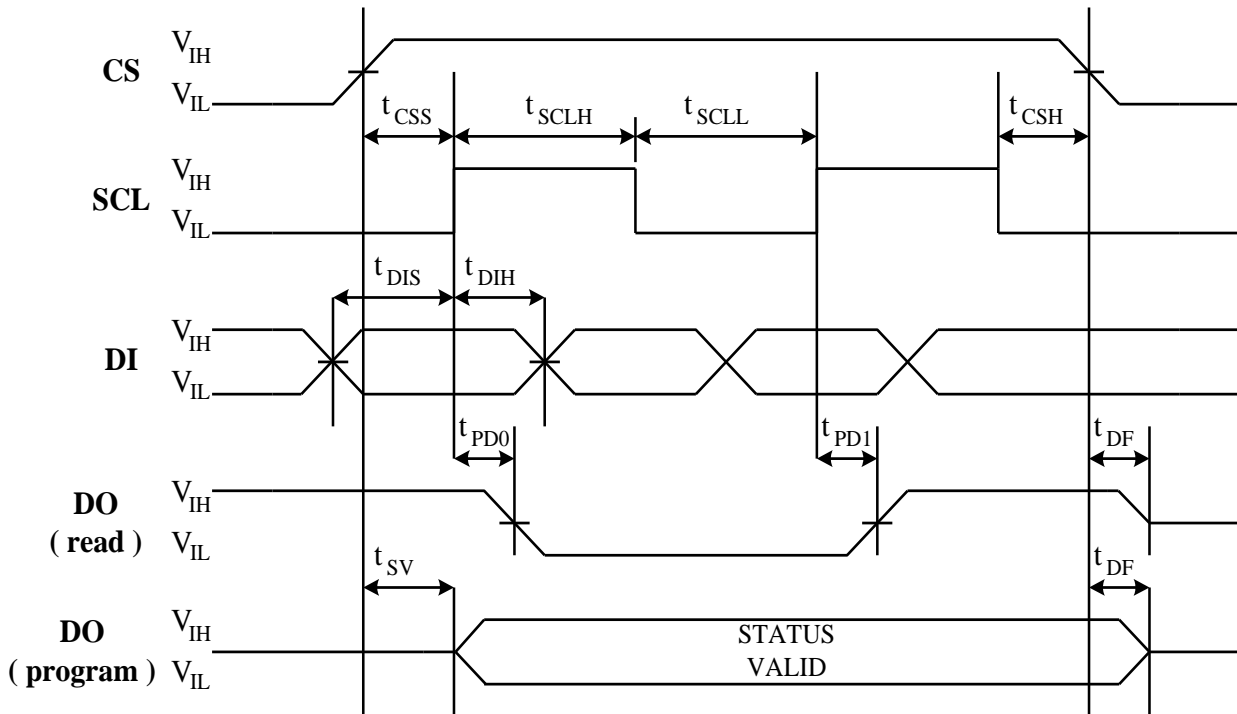


WRAL Timing (2)



- Note : 1. Valid only at $V_{CC}=4.5V$ to $5.5V$
 2. Valid only at $V_{CC}=4.5V$ to $5.5V$

Synchronous Data Timing



AC CHARACTERISTICS

Applicable over recommended operating range from: $T_{AI} = -40^{\circ}\text{C}$ to $+85^{\circ}\text{C}$, $V_{CC} = +1.8\text{V}$ to $+5.5\text{V}$, $T_{AC} = 0^{\circ}\text{C}$ to $+70^{\circ}\text{C}$, $V_{CC} = +1.8\text{V}$ to $+5.5\text{V}$ (unless otherwise noted).

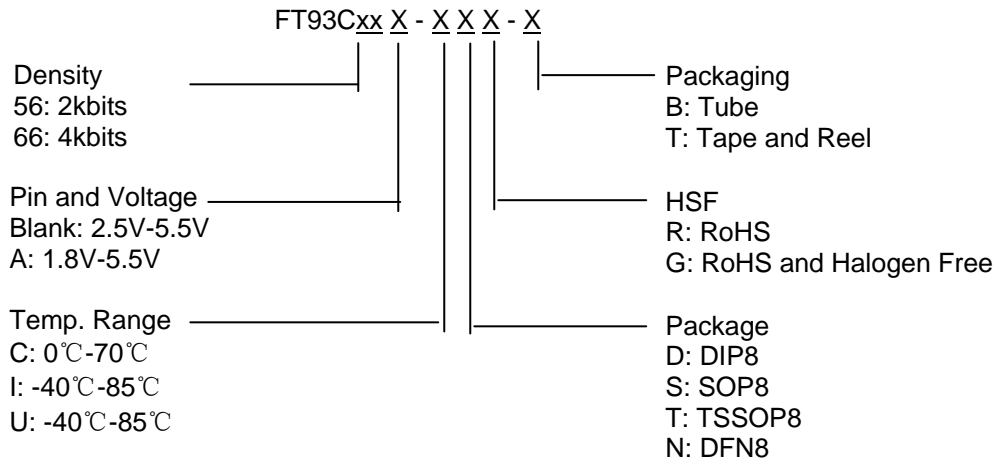
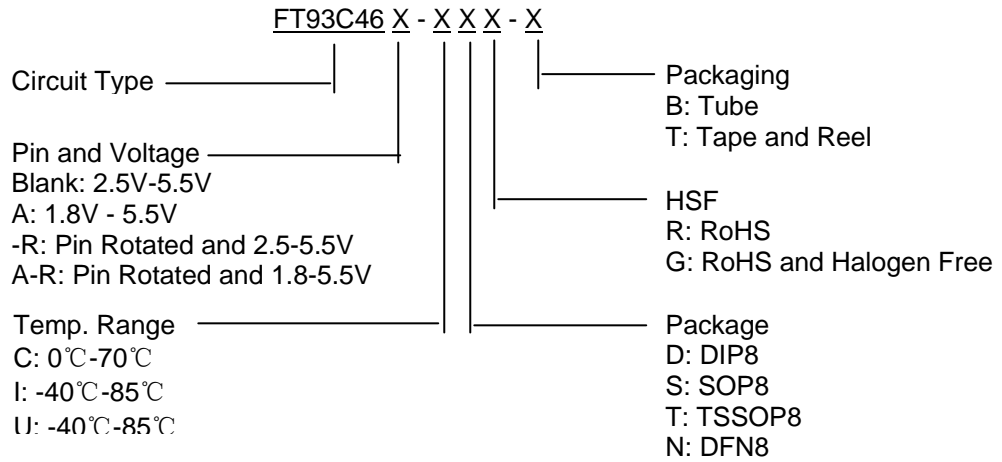
| Symbol | Parameter | Test Condition | Min | Typ | Max | Units |
|------------|----------------------------|--|--|-------------------|--------------------|-------|
| f_{SCL} | SCL Clock Frequency | $4.5\text{V} \leq V_{CC} \leq 5.5\text{V}$ $2.7\text{V} \leq V_{CC} \leq 5.5\text{V}$ $1.8\text{V} \leq V_{CC} \leq 5.5\text{V}$ | 0 0 0 | | 2 1 0.25 | MHz |
| t_{SCLH} | SCL High Time | $4.5\text{V} \leq V_{CC} \leq 5.5\text{V}$ $2.7\text{V} \leq V_{CC} \leq 5.5\text{V}$ $1.8\text{V} \leq V_{CC} \leq 5.5\text{V}$ | 250 250 1000 | | | ns |
| t_{SCLL} | SCL Low Time | $4.5\text{V} \leq V_{CC} \leq 5.5\text{V}$ $2.7\text{V} \leq V_{CC} \leq 5.5\text{V}$ $1.8\text{V} \leq V_{CC} \leq 5.5\text{V}$ | 250 250 1000 | | | ns |
| t_{CS} | Minimum CS Low Time | $4.5\text{V} \leq V_{CC} \leq 5.5\text{V}$ $2.7\text{V} \leq V_{CC} \leq 5.5\text{V}$ $1.8\text{V} \leq V_{CC} \leq 5.5\text{V}$ | 250 250 1000 | | | ns |
| t_{CSS} | CS Setup Time | Relative to SCL | $4.5\text{V} \leq V_{CC} \leq 5.5\text{V}$ $2.7\text{V} \leq V_{CC} \leq 5.5\text{V}$ $1.8\text{V} \leq V_{CC} \leq 5.5\text{V}$ | 50 50 200 | | ns |
| t_{DIS} | DI Setup Time | Relative to SCL | $4.5\text{V} \leq V_{CC} \leq 5.5\text{V}$ $2.7\text{V} \leq V_{CC} \leq 5.5\text{V}$ $1.8\text{V} \leq V_{CC} \leq 5.5\text{V}$ | 100 100 400 | | ns |
| t_{CSH} | CS Hold Time | Relative to SCL | | 0 | | ns |
| t_{DIH} | DI Hold Time | Relative to SCL | $4.5\text{V} \leq V_{CC} \leq 5.5\text{V}$ $2.7\text{V} \leq V_{CC} \leq 5.5\text{V}$ $1.8\text{V} \leq V_{CC} \leq 5.5\text{V}$ | 100 100 400 | | ns |
| t_{PD1} | Output Delay to '1' | AC Test | $4.5\text{V} \leq V_{CC} \leq 5.5\text{V}$ $2.7\text{V} \leq V_{CC} \leq 5.5\text{V}$ $1.8\text{V} \leq V_{CC} \leq 5.5\text{V}$ | | 250 250 1000 | ns |
| t_{PD0} | Output Delay to '0' | AC Test | $4.5\text{V} \leq V_{CC} \leq 5.5\text{V}$ $2.7\text{V} \leq V_{CC} \leq 5.5\text{V}$ $1.8\text{V} \leq V_{CC} \leq 5.5\text{V}$ | | 250 250 1000 | ns |
| t_{SV} | CS to Status Valid | AC Test | $4.5\text{V} \leq V_{CC} \leq 5.5\text{V}$ $2.7\text{V} \leq V_{CC} \leq 5.5\text{V}$ $1.8\text{V} \leq V_{CC} \leq 5.5\text{V}$ | | 250 250 1000 | ns |
| t_{DF} | CS to DO in High Impedance | AC Test CS = V_{IL} | $4.5\text{V} \leq V_{CC} \leq 5.5\text{V}$ $2.7\text{V} \leq V_{CC} \leq 5.5\text{V}$ $1.8\text{V} \leq V_{CC} \leq 5.5\text{V}$ | | 100 100 400 | ns |
| t_{WC} | Write Cycle Time | | $4.5\text{V} \leq V_{CC} \leq 5.5\text{V}$ | 3 | 10 | ms |

DC CHARACTERISTICS

Applicable over recommended operating range from $T_A = -40^{\circ}\text{C}$ to $+85^{\circ}\text{C}$, $V_{CC} = \text{As Specified}$, $CL = 1$ TTL Gate and 100 pF (unless otherwise noted).

| Symbol | Parameter | Test Condition | | Min | Typ | Max | Unit |
|------------------------------------|---|--|-----------------------------|-----------------------------|-------|-------------------------------------|---------------|
| V_{CC1} | Supply Voltage | | | 1.8 | | 5.5 | V |
| V_{CC2} | Supply Voltage | | | 2.5 | | 5.5 | V |
| V_{CC3} | Supply Voltage | | | 2.7 | | 5.5 | V |
| V_{CC4} | Supply Voltage | | | 4.5 | | 5.5 | V |
| I_{CC} | Supply Current | $V_{CC} = 5.0\text{V}$ | READ at 1.0 MHz | | 0.5 | 2.0 | mA |
| | | | WRITE at 1.0 MHz | | 0.5 | 2.0 | mA |
| I_{SB1} | Standby Current | $V_{CC} = 1.8\text{V}$ | CS = 0V | | < 0.1 | | μA |
| I_{SB2} | Standby Current | $V_{CC} = 2.5\text{V}$ | CS = 0V | | < 1.5 | | μA |
| I_{SB3} | Standby Current | $V_{CC} = 2.7\text{V}$ | CS = 0V | | < 1.5 | 1.5 | μA |
| I_{SB4} | Standby Current | $V_{CC} = 5.0\text{V}$ | CS = 0V | | < 1.5 | 1.5 | μA |
| I_{IL} | Input Leakage | $V_{in} = 0\text{V to } V_{CC}$ | | | 0.1 | 1.0 | μA |
| I_{OL} | Output Leakage | $V_{in} = 0\text{V to } V_{CC}$ | | | 0.1 | 1.0 | μA |
| $V_{IL1}^{(1)}$ $V_{IH1}^{(1)}$ | Input Low Voltage Input High Voltage | $4.5\text{V} \leq V_{CC} \leq 5.5\text{V}$ | | -0.6 2.0 | | 0.8 $V_{CC} + 1$ | V |
| $V_{IL2}^{(1)}$ $V_{IH2}^{(1)}$ | Input Low Voltage Input High Voltage | $1.8\text{V} \leq V_{CC} \leq 2.7\text{V}$ | | -0.6 $V_{CC} \times 0.7$ | | $V_{CC} \times 0.3$ $V_{CC} + 1$ | V |
| V_{OL1} | Output Low Voltage | | $I_{OL} = 2.1 \text{ mA}$ | | | 0.4 | V |
| V_{OH1} | Output High Voltage | $4.5\text{V} \leq V_{CC} \leq 5.5\text{V}$ | $I_{OH} = -0.4 \text{ mA}$ | 2.4 | | | V |
| V_{OL12} | Output Low Voltage | | $I_{OL} = 0.15 \text{ mA}$ | | | 0.2 | V |
| V_{OH2} | Output High Voltage | $1.8\text{V} \leq V_{CC} \leq 2.7\text{V}$ | $I_{OH} = -100 \mu\text{A}$ | $V_{CC} - 0.2$ | | | V |

ORDER CODE:





ORDER INFORMATION

| Density | Package | Temperature Range | Pin and Voltage | HSF | Packaging | Ordering Code | |
|---------|---------|-----------------------|-----------------------|-----------------------|------------------|------------------|------------------|
| 1kbits | DIP8 | 0°C-70°C | 1.8V-5.5V | RoHS | Tube | FT93C46A-CDR-B | |
| | | | | Green | Tube | FT93C46A-CDG-B | |
| | | | Pin Rotated 1.8V-5.5V | RoHS | Tube | FT93C46A-R-CDR-B | |
| | | | | Green | Tube | FT93C46A-R-CDG-B | |
| | | | 2.5V-5.5V | RoHS | Tube | FT93C46-CDR-B | |
| | | | | Green | Tube | FT93C46-CDG-B | |
| | | | Pin Rotated 2.5V-5.5V | RoHS | Tube | FT93C46-R-CDR-B | |
| | | | | Green | Tube | FT93C46-R-CDG-B | |
| | | | -40°C-85°C | 1.8V-5.5V | RoHS | Tube | FT93C46A-IDR-B |
| | | | | | | Tube | FT93C46A-UDR-B |
| | | | | | Green | Tube | FT93C46A-IDG-B |
| | | | | | | Tube | FT93C46A-UDG-B |
| | | Pin Rotated 1.8V-5.5V | | RoHS | Tube | FT93C46A-R-IDR-B | |
| | | | | | Tube | FT93C46A-R-UDR-B | |
| | | | | Green | Tube | FT93C46A-R-IDG-B | |
| | | | | | Tube | FT93C46A-R-UDG-B | |
| | | 2.5V-5.5V | | RoHS | Tube | FT93C46-IDR-B | |
| | | | | | Tube | FT93C46-UDR-B | |
| | | | | Green | Tube | FT93C46-IDG-B | |
| | | | | | Tube | FT93C46-UDG-B | |
| | | Pin Rotated 2.5V-5.5V | RoHS | Tube | FT93C46-R-IDR-B | | |
| | | | | Tube | FT93C46-R-UDR-B | | |
| | | | Green | Tube | FT93C46-R-IDG-B | | |
| | | | | Tube | FT93C46-R-UDG-B | | |
| | SOP8 | 0°C-70°C | 1.8V-5.5V | RoHS | Tube | FT93C46A-CSR-B | |
| | | | | | Tape and Reel | FT93C46A-CSR-T | |
| | | | | Green | Tube | FT93C46A-CSG-B | |
| | | | | | Tape and Reel | FT93C46A-CSG-T | |
| | | | | Pin Rotated 1.8V-5.5V | RoHS | Tube | FT93C46A-R-CSR-B |
| | | | | | | Tape and Reel | FT93C46A-R-CSR-T |
| Green | | | Tube | | FT93C46A-R-CSG-B | | |
| | | | Tape and Reel | | FT93C46A-R-CSG-T | | |

| | | | | | | |
|---------------|--------------------------|------------------|--------------------------|------------------|------------------|-----------------|
| 1kbits | SOP8 | 0°C-70°C | 2.5V-5.5V | RoHS | Tube | FT93C46-CSR-B |
| | | | | | Tape and Reel | FT93C46-CSR-T |
| | | | Green | Tube | FT93C46-CSG-B | |
| | | | | Tape and Reel | FT93C46-CSG-T | |
| | | | Pin Rotated 2.5V-5.5V | RoHS | Tube | FT93C46-R-CSR-B |
| | | | | | Tape and Reel | FT93C46-R-CSR-T |
| | | Green | Tube | FT93C46-R-CSG-B | | |
| | | | Tape and Reel | FT93C46-R-CSG-T | | |
| | | -40°C-85°C | 1.8V-5.5V | RoHS | Tube | FT93C46A-ISR-B |
| | | | | | | FT93C46A-USR-B |
| | | | | Tape and Reel | FT93C46A-ISR-T | |
| | | | | | FT93C46A-USR-T | |
| | Green | | | Tube | FT93C46A-ISG-B | |
| | | | | | FT93C46A-USG-B | |
| | Tape and Reel | | FT93C46A-ISG-T | | | |
| | | | FT93C46A-USG-T | | | |
| | Pin Rotated 1.8V-5.5V | | RoHS | Tube | FT93C46A-R-ISR-B | |
| | | | | | FT93C46A-R-USR-B | |
| | | | Tape and Reel | FT93C46A-R-ISR-T | | |
| | | | | FT93C46A-R-USR-T | | |
| | | Green | Tube | FT93C46A-R-ISG-B | | |
| | | | | FT93C46A-R-USG-B | | |
| | Tape and Reel | FT93C46A-R-ISG-T | | | | |
| | | FT93C46A-R-USG-T | | | | |
| 2.5V-5.5V | RoHS | Tube | FT93C46-ISR-B | | | |
| | | | FT93C46-USR-B | | | |
| | Tape and Reel | FT93C46-ISR-T | | | | |
| | | FT93C46-USR-T | | | | |
| | Green | Tube | FT93C46-ISG-B | | | |
| | | | FT93C46-USG-B | | | |
| Tape and Reel | FT93C46-ISG-T | | | | | |
| | FT93C46-USG-T | | | | | |

| | | | | | | | |
|--------|------------|--------------------------|--------------------------|--------------------------|------------------|------------------|------------------|
| 1kbits | SOP8 | -40°C-85°C' | Pin Rotated 2.5V-5.5V | RoHS | Tube | FT93C46-R-ISR-B | |
| | | | | | Tube | FT93C46-R-USR-B | |
| | | | | | Tape and Reel | FT93C46-R-ISR-T | |
| | | | | | Tape and Reel | FT93C46-R-USR-T | |
| | | | | Green | Tube | FT93C46-R-ISG-B | |
| | | | | | Tube | FT93C46-R-USG-B | |
| | | | | | Tape and Reel | FT93C46-R-ISG-T | |
| | | | | | Tape and Reel | FT93C46-R-USG-T | |
| | TSSOP8 | 0°C-70°C | 1.8V-5.5V | RoHS | Tube | FT93C46A-CTR-B | |
| | | | | | Tube | FT93C46A-CTR-T | |
| | | | | | Tape and Reel | FT93C46A-CTR-T | |
| | | | | | Tape and Reel | FT93C46A-CTR-T | |
| | | | | Green | Tube | FT93C46A-CTG-B | |
| | | | | | Tube | FT93C46A-CTG-B | |
| | | | | | Tape and Reel | FT93C46A-CTG-T | |
| | | | | | Tape and Reel | FT93C46A-CTG-T | |
| | | | Pin Rotated 1.8V-5.5V | RoHS | 2.5V-5.5V | Tube | FT93C46A-R-CTR-B |
| | | | | | | Tube | FT93C46A-R-CTR-T |
| | | | | | | Tape and Reel | FT93C46A-R-CTR-T |
| | | | | | | Tape and Reel | FT93C46A-R-CTR-T |
| | | | | Green | Tube | FT93C46-R-CTR-B | |
| | | | | | Tube | FT93C46-R-CTR-T | |
| | | | | | Tape and Reel | FT93C46-R-CTR-T | |
| | | | | | Tape and Reel | FT93C46-R-CTR-T | |
| TSSOP8 | -40°C-85°C | 1.8V-5.5V | RoHS | Tube | FT93C46A-ITR-B | | |
| | | | | Tube | FT93C46A-UTR-B | | |
| | | | | Tape and Reel | FT93C46A-ITR-T | | |
| | | | | Tape and Reel | FT93C46A-UTR-T | | |
| | | | Green | Tube | FT93C46A-ITG-B | | |
| | | | | Tube | FT93C46A-UTG-B | | |
| | | | | Tape and Reel | FT93C46A-ITG-T | | |
| | | | | Tape and Reel | FT93C46A-UTG-T | | |
| | | Pin Rotated 1.8V-5.5V | RoHS | Pin Rotated 1.8V-5.5V | Tube | FT93C46A-R-ITR-B | |
| | | | | | Tube | FT93C46A-R-UTR-B | |
| | | | | | Tape and Reel | FT93C46A-R-ITR-T | |
| | | | | | Tape and Reel | FT93C46A-R-UTR-T | |
| | | | Green | Tube | FT93C46A-R-ITG-B | | |
| | | | | Tube | FT93C46A-R-UTG-B | | |
| | | | | Tape and Reel | FT93C46A-R-ITG-T | | |
| | | | | Tape and Reel | FT93C46A-R-UTG-T | | |

| | | | | | | |
|--------|--------------------------|---------------|-----------------|-----------------|----------------|---------------|
| 1kbits | TSSOP8 | -40°C-85°C | 2.5V-5.5V | RoHS | Tube | FT93C46-ITR-B |
| | | | | | Tube | FT93C46-UTR-B |
| | | | | Tape and Reel | FT93C46-ITR-T | |
| | | | | | FT93C46-UTR-T | |
| | | | Green | Tube | FT93C46-ITG-B | |
| | | | | Tube | FT93C46-UTG-B | |
| | | | Tape and Reel | FT93C46-ITG-T | | |
| | | | | FT93C46-UTG-T | | |
| | Pin Rotated 2.5V-5.5V | RoHS | Tube | FT93C46-R-ITR-B | | |
| | | | | FT93C46-R-UTR-B | | |
| | | Tape and Reel | FT93C46-R-ITR-T | | | |
| | | | FT93C46-R-UTR-T | | | |
| | | Green | Tube | FT93C46-R-ITG-B | | |
| | | | Tube | FT93C46-R-UTG-B | | |
| | | Tape and Reel | FT93C46-R-ITG-T | | | |
| | | | FT93C46-R-UTG-T | | | |
| DFN8 | -40°C-85°C | 1.8V-5.5V | RoHS | Tape and Reel | FT93C46A-UNR-T | |
| | | | Green | Tape and Reel | FT93C46A-UNG-T | |
| | | 2.5V-5.5V | RoHS | Tape and Reel | FT93C46-UNR-T | |
| | | | Green | Tape and Reel | FT93C46-UNG-T | |



| Density | Package | Temperature Range | Pin and Voltage | HSF | Packaging | Ordering Code | |
|---------------|------------|-------------------|-----------------|---------------|----------------|----------------|----------------|
| 2kbits | DIP8 | 0°C-70°C | 1.8V-5.5V | RoHS | Tube | FT93C56A-CDR-B | |
| | | | | Green | Tube | FT93C56A-CDG-B | |
| | | | 2.5V-5.5V | RoHS | Tube | FT93C56-CDR-B | |
| | | | | Green | Tube | FT93C56-CDG-B | |
| | | -40°C-85°C | 1.8V-5.5V | RoHS | Tube | FT93C56A-IDR-B | |
| | | | | | | FT93C56A-UDR-B | |
| | | | | Green | Tube | FT93C56A-IDG-B | |
| | | | 2.5V-5.5V | | | FT93C56A-UDG-B | |
| | | | | RoHS | Tube | FT93C56-IDR-B | |
| | | | | Green | Tube | FT93C56-IDG-B | |
| | | | | | FT93C56-UDG-B | | |
| | | SOP8 | 0°C-70°C | 1.8V-5.5V | RoHS | Tube | FT93C56A-CSR-B |
| | | | | | Tape and Reel | FT93C56A-CSR-T | |
| | Green | | | | Tube | FT93C56A-CSG-B | |
| | | | | | Tape and Reel | FT93C56A-CSG-T | |
| | 2.5V-5.5V | | | RoHS | Tube | FT93C56-CSR-B | |
| | | | | | Tape and Reel | FT93C56-CSR-T | |
| | | | | Green | Tube | FT93C56-CSG-B | |
| | | | | | Tape and Reel | FT93C56-CSG-T | |
| | -40°C-85°C | | | 1.8V-5.5V | RoHS | Tube | FT93C56A-ISR-B |
| | | | | | | | FT93C56A-USR-B |
| | | | | | | Tape and Reel | FT93C56A-ISR-T |
| | | | | | | FT93C56A-USR-T | |
| | | | Green | | Tube | FT93C56A-ISG-B | |
| | | | | | | FT93C56A-USG-B | |
| | | | | Tape and Reel | FT93C56A-ISG-T | | |
| | | | | | FT93C56A-USG-T | | |
| | | | 2.5V-5.5V | RoHS | Tube | FT93C56-ISR-B | |
| | | | | | | FT93C56-USR-B | |
| | | | | | Tape and Reel | FT93C56-ISR-T | |
| | | | | | FT93C56-USR-T | | |
| | Green | | | Tube | FT93C56-ISG-B | | |
| | | | | FT93C56-USG-B | | | |
| Tape and Reel | | | FT93C56-ISG-T | | | | |
| | | | FT93C56-USG-T | | | | |

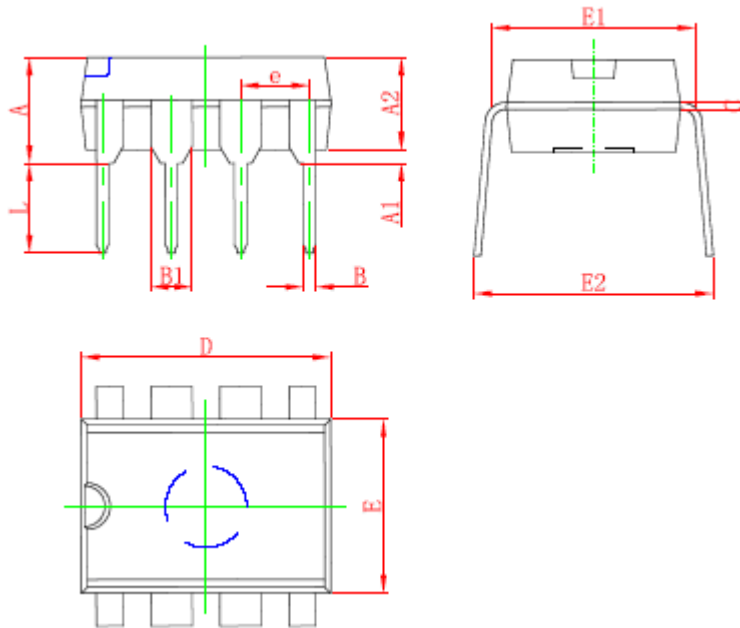
| | | | | | | | |
|--------|-----------|------------|---------------|---------------|----------------|----------------|----------------|
| 2kbits | TSSOP8 | 0°C-70°C | 1.8V-5.5V | RoHS | Tube | FT93C56A-CTR-B | |
| | | | | | Tape and Reel | FT93C56A-CTR-T | |
| | | | Green | Tube | FT93C56A-CTG-B | | |
| | | | | Tape and Reel | FT93C56A-CTG-T | | |
| | | | 2.5V-5.5V | RoHS | Tube | FT93C56-CTR-B | |
| | | | | | Tape and Reel | FT93C56-CTR-T | |
| | | Green | Tube | FT93C56-CTG-B | | | |
| | | | Tape and Reel | FT93C56-CTG-T | | | |
| | | -40°C-85°C | 1.8V-5.5V | RoHS | Tube | FT93C56A-ITR-B | |
| | | | | | Tape and Reel | FT93C56A-UTR-B | |
| | | | | Green | Tube | FT93C56A-ITG-B | |
| | | | | | Tape and Reel | FT93C56A-UTG-B | |
| | 2.5V-5.5V | | | RoHS | Tube | FT93C56-ITR-B | |
| | | | | | Tape and Reel | FT93C56-UTR-B | |
| | Green | | Tube | FT93C56-ITG-B | | | |
| | | | Tape and Reel | FT93C56-UTG-B | | | |
| | DFN8 | | -40°C-85°C | 1.8V-5.5V | RoHS | Tape and Reel | FT93C56A-UNR-T |
| | | | | | Green | Tape and Reel | FT93C56A-UNG-T |
| | | | | 2.5V-5.5V | RoHS | Tape and Reel | FT93C56-UNR-T |
| | | | | | Green | Tape and Reel | FT93C56-UNG-T |



| Density | Package | Temperature Range | Pin and Voltage | HSF | Packaging | Ordering Code | |
|---------|------------|-------------------|-----------------|-----------|---------------|----------------|----------------|
| 4kbits | DIP8 | 0°C-70°C | 1.8V-5.5V | RoHS | Tube | FT93C66A-CDR-B | |
| | | | | Green | Tube | FT93C66A-CDG-B | |
| | | | 2.5V-5.5V | RoHS | Tube | FT93C66-CDR-B | |
| | | | | Green | Tube | FT93C66-CDG-B | |
| | | -40°C-85°C | 1.8V-5.5V | RoHS | Tube | FT93C66A-IDR-B | |
| | | | | | | FT93C66A-UDR-B | |
| | | | | Green | Tube | FT93C66A-IDG-B | |
| | | | 2.5V-5.5V | | | FT93C66A-UDG-B | |
| | | | | RoHS | Tube | FT93C66-IDR-B | |
| | | | | Green | Tube | FT93C66-IDG-B | |
| | | SOP8 | 0°C-70°C | 1.8V-5.5V | RoHS | Tube | FT93C66A-CSR-B |
| | | | | | | Tape and Reel | FT93C66A-CSR-T |
| | Green | | | | Tube | FT93C66A-CSG-B | |
| | | | | | Tape and Reel | FT93C66A-CSG-T | |
| | 2.5V-5.5V | | | RoHS | Tube | FT93C66-CSR-B | |
| | | | | | Tape and Reel | FT93C66-CSR-T | |
| | | | | Green | Tube | FT93C66-CSG-B | |
| | | | | | Tape and Reel | FT93C66-CSG-T | |
| | -40°C-85°C | | 1.8V-5.5V | RoHS | Tube | FT93C66A-ISR-B | |
| | | | | | Tape and Reel | FT93C66A-ISR-T | |
| | | | | Green | Tube | FT93C66A-USR-B | |
| | | | | | Tape and Reel | FT93C66A-USR-T | |
| | | | 2.5V-5.5V | RoHS | Tube | FT93C66A-ISG-B | |
| | | | | | Tape and Reel | FT93C66A-ISG-T | |
| | | | | Green | Tube | FT93C66A-USG-B | |
| | | | | | Tape and Reel | FT93C66A-USG-T | |

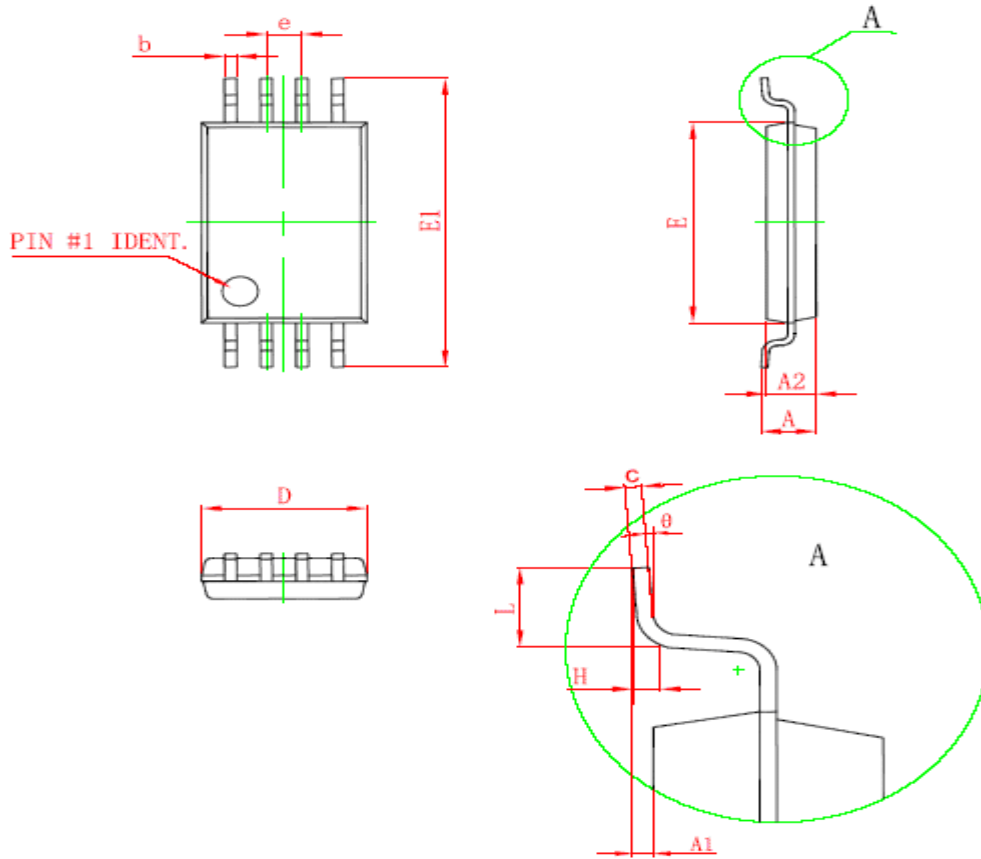
| | | | | | | | |
|--------|-----------|------------|---------------|---------------|----------------|----------------|----------------|
| 4kbits | TSSOP8 | 0°C-70°C | 1.8V-5.5V | RoHS | Tube | FT93C66A-CTR-B | |
| | | | | | Tape and Reel | FT93C66A-CTR-T | |
| | | | Green | Tube | FT93C66A-CTG-B | | |
| | | | | Tape and Reel | FT93C66A-CTG-T | | |
| | | | 2.5V-5.5V | RoHS | Tube | FT93C66-CTR-B | |
| | | | | | Tape and Reel | FT93C66-CTR-T | |
| | | Green | Tube | FT93C66-CTG-B | | | |
| | | | Tape and Reel | FT93C66-CTG-T | | | |
| | | -40°C-85°C | 1.8V-5.5V | RoHS | Tube | FT93C66A-ITR-B | |
| | | | | | Tape and Reel | FT93C66A-UTR-B | |
| | | | | Green | Tube | FT93C66A-ITG-B | |
| | | | | | Tape and Reel | FT93C66A-ITG-T | |
| | 2.5V-5.5V | | | RoHS | Tube | FT93C66-ITR-B | |
| | | | | | Tape and Reel | FT93C66-UTR-B | |
| | Green | | Tube | FT93C66-ITG-B | | | |
| | | | Tape and Reel | FT93C66-ITG-T | | | |
| | DFN8 | | -40°C-85°C | 1.8V-5.5V | RoHS | Tape and Reel | FT93C66A-UNR-T |
| | | | | | Green | Tape and Reel | FT93C66A-UNG-T |
| | | | | 2.5V-5.5V | RoHS | Tape and Reel | FT93C66-UNR-T |
| | | | | | Green | Tape and Reel | FT93C66-UNG-T |

DIP8 PACKAGE OUTLINE DIMENSIONS



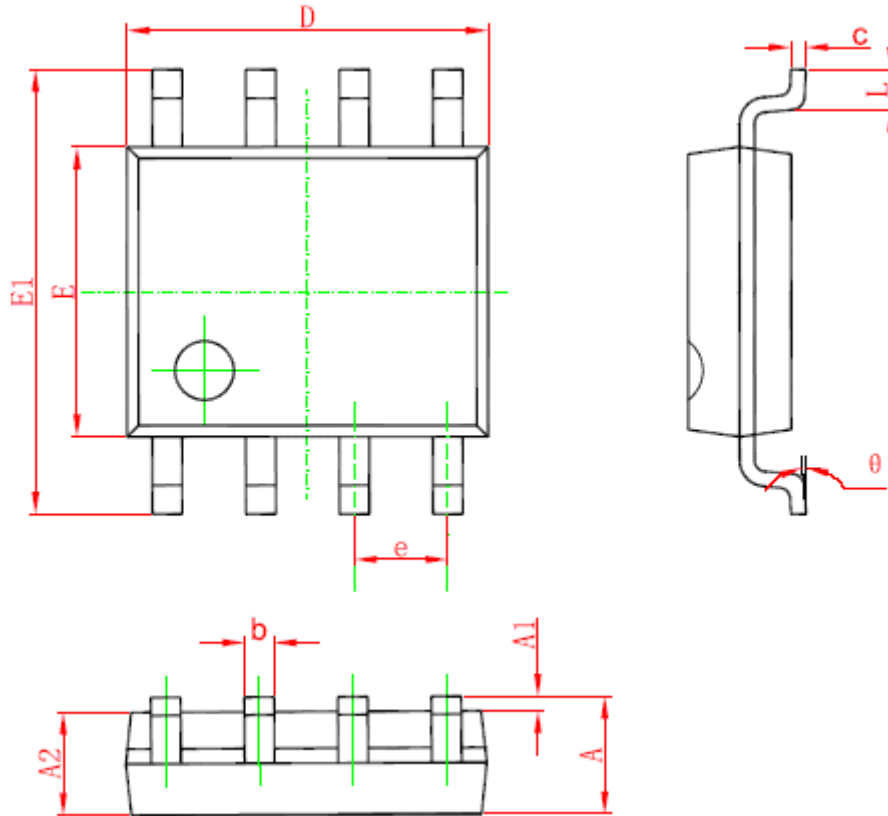
| Symbol | Dimensions In Millimeters | | Dimensions In Inches | |
|--------|---------------------------|-------|----------------------|-------|
| | Min | Max | Min | Max |
| A | 3.710 | 4.310 | 0.146 | 0.170 |
| A1 | 0.510 | | 0.020 | |
| A2 | 3.200 | 3.600 | 0.126 | 0.142 |
| B | 0.380 | 0.570 | 0.015 | 0.022 |
| B1 | 1.524 (BSC) | | 0.060 (BSC) | |
| C | 0.204 | 0.360 | 0.008 | 0.014 |
| D | 9.000 | 9.400 | 0.354 | 0.370 |
| E | 6.200 | 6.600 | 0.244 | 0.260 |
| E1 | 7.320 | 7.920 | 0.288 | 0.312 |
| e | 2.540 (BSC) | | 0.100 (BSC) | |
| L | 3.000 | 3.600 | 0.118 | 0.142 |
| E2 | 8.400 | 9.000 | 0.331 | 0.354 |

TSSOP8 PACKAGE OUTLINE DIMENSIONS



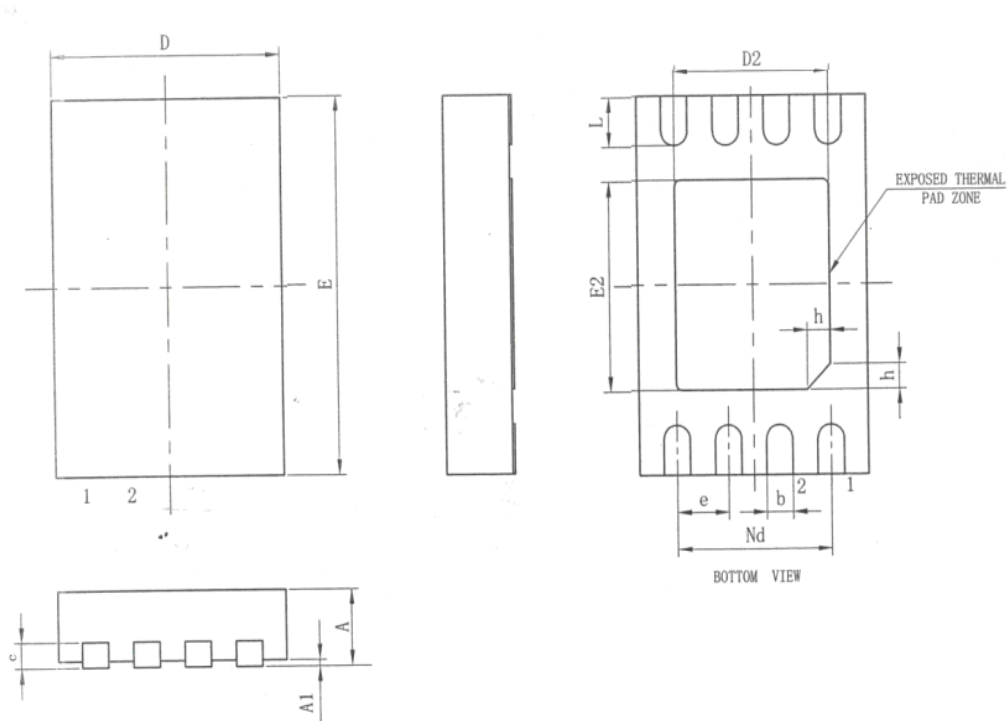
| Symbol | Dimensions In Millimeters | | Dimensions In Inches | |
|--------|---------------------------|-------|----------------------|-------|
| | Min | Max | Min | Max |
| D | 2.900 | 3.100 | 0.114 | 0.122 |
| E | 4.300 | 4.500 | 0.169 | 0.177 |
| b | 0.190 | 0.300 | 0.007 | 0.012 |
| c | 0.090 | 0.200 | 0.004 | 0.008 |
| E1 | 6.250 | 6.550 | 0.246 | 0.258 |
| A | | 1.100 | | 0.043 |
| A2 | 0.800 | 1.000 | 0.031 | 0.039 |
| A1 | 0.020 | 0.150 | 0.001 | 0.006 |
| e | 0.65 (BSC) | | 0.026 (BSC) | |
| L | 0.500 | 0.700 | 0.020 | 0.028 |
| H | 0.25 (TYP) | | 0.01 (TYP) | |
| θ | 1° | 7° | 1° | 7° |

SOP8 PACKAGE OUTLINE DIMENSIONS



| Symbol | Dimensions In Millimeters | | Dimensions In Inches | |
|--------|---------------------------|-------|----------------------|-------|
| | Min | Max | Min | Max |
| A | 1.350 | 1.750 | 0.053 | 0.069 |
| A1 | 0.100 | 0.250 | 0.004 | 0.010 |
| A2 | 1.350 | 1.550 | 0.053 | 0.061 |
| b | 0.330 | 0.510 | 0.013 | 0.020 |
| c | 0.170 | 0.250 | 0.006 | 0.010 |
| D | 4.700 | 5.100 | 0.185 | 0.200 |
| E | 3.800 | 4.000 | 0.150 | 0.157 |
| E1 | 5.800 | 6.200 | 0.228 | 0.244 |
| e | 1.270 (BSC) | | 0.050 (BSC) | |
| L | 0.400 | 1.270 | 0.016 | 0.050 |
| θ | 0° | 8° | 0° | 8° |

DFN8 PACKAGE OUTLINE DIMENSIONS



| Symbol | Dimensions In Millimeters | | |
|--------|---------------------------|------|------|
| | Min | Nom | Max |
| A | 0.70 | 0.75 | 0.80 |
| A1 | - | 0.02 | 0.05 |
| b | 0.18 | 0.25 | 0.30 |
| c | 0.18 | 0.20 | 0.25 |
| D | 1.90 | 2.00 | 2.10 |
| D2 | 1.50REF | | |
| e | 0.50BSC | | |
| Nd | 1.50BSC | | |
| E | 2.90 | 3.00 | 3.10 |
| E2 | 1.40 | | 1.60 |
| L | 0.20 | | 0.40 |
| h | 0.20 | 0.25 | 0.30 |



Fremont Micro Devices (SZ) Limited

#5-8, 10/F, Changhong Building, Ke-Ji Nan 12 Road, Nanshan District, Shenzhen

Tel: (86 755) 86117811

Fax: (86 755) 86117810

Fremont Micro Devices (Hong Kong) Limited

#16, 16/F, Blk B, Veristrong Industrial Centre, 34-36 Au Pui Wan Street, Fotan, Shatin, Hong Kong

Tel: (852) 27811186

Fax: (852) 27811144

Web Site: <http://www.fremontmicro.com/>

* Information furnished is believed to be accurate and reliable. However, Fremont Micro Devices, Incorporated (BVI) assumes no responsibility for the consequences of use of such information or for any infringement of patents of other rights of third parties which may result from its use. No license is granted by implication or otherwise under any patent rights of Fremont Micro Devices, Incorporated (BVI). Specifications mentioned in this publication are subject to change without notice. This publication supersedes and replaces all information previously supplied. Fremont Micro Devices, Incorporated (BVI) products are not authorized for use as critical components in life support devices or systems without express written approval of Fremont Micro Devices, Incorporated (BVI). The FMD logo is a registered trademark of Fremont Micro Devices, Incorporated (BVI). All other names are the property of their respective owners.

X-ON Electronics

Largest Supplier of Electrical and Electronic Components

Click to view similar products for [EEPROM](#) category:

Click to view products by [Fremont Micro Devices](#) manufacturer:

Other Similar products are found below :

[718278CB](#) [M24C64-WMN6](#) [AT28C256-15PU-ND](#) [444358RB](#) [444362FB](#) [BR93C46-WMN7TP](#) [EEROMH](#) [AT24C256BY7-YH-T](#)
[CAT25320YIGT-KK](#) [LE2464DXATBG](#) [CAS93C66VP2I-GT3](#) [M95320-DFDW6TP](#) [CAT24S128C4UTR](#) [S-93S66A0S-J8T2UD](#)
[N21C21ASNDT3G](#) [NV24M01MUW3VTBG](#) [S-93A66BD0A-K8T2U3](#) [NV24C32UVLT2G](#) [BR25H128NUX-5ACTR](#) [BR24G512FVT-5AE2](#)
[BR25H256FJ-5ACE2](#) [CAT24C512C8UTR](#) [BR24G1MFVT-5AE2](#) [GT24C04A-2ZLI-TR](#) [M95160-DWDW4TP/K](#) [CAT24C16WE-GT3](#)
[CAT24C512XI](#) [CAT25M01YE-GT3](#) [GX2431G](#) [HG24C08CMM/TR](#) [AT24C08CMM/TR](#) [HG24C08CM/TR](#) [HG24LC64M/TR](#)
[AT24C08CM/TR](#) [FT24C512A-TSR-T](#) [AT24C128AN](#) [AT24C128AM/TR](#) [FT93C66A-USR-T](#) [FT24C04A-KTR-T](#) [FT24C64A-EDR-B](#)
[FT24C16A-EPR-T](#) [FT24C04A-TLR-T](#) [FT93C46A-UTR-T](#) [FT24C16A-KSG-T](#) [FT24C128A-TSR-B](#) [FT24C64A-TTR-T](#) [FT93C46A-USR-T](#)
[FT24C1024A-TTR-T](#) [GX2505](#) [GX2431P](#)