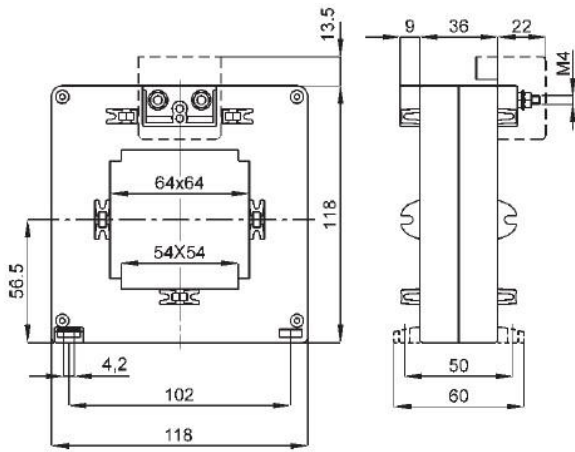


TAT064 Current Transformers single pole, 54x54 mm to 64x64 mm – Busbar 3 x 60 x 10						
Series	MPN	Ratio	MPN	Ratio	VA Kl. 1	VA Kl. 0.5
TAT064 horizontal	TAT064200X05	200/5A	TAT064200X01	200/1A	2	-
TAT064 horizontal	TAT064300X05	300/5A	TAT064300X01	300/1A	4	2
TAT064 horizontal	TAT064400X05	400/5A	TAT064400X01	400/1A	6	4
TAT064 horizontal	TAT064500X05	500/5A	TAT064500X01	500/1A	8	6
TAT064 horizontal	TAT064600X05	600/5A	TAT064600X01	600/1A	10	6
TAT064 horizontal	TAT064800X05	800/5A	TAT064800X01	800/1A	12	8
TAT064 horizontal	TAT0641K0X05	1000/5A	TAT0641K0X01	1000/1A	15	10
TAT064 horizontal	TAT0641K2X05	1200/5A	TAT0641K2X01	1200/1A	18	12
TAT064 horizontal	TAT0641K5X02	1500/5A	TAT0641K5X01	1500/1A	20	15
TAT064 horizontal	TAT0642K0X05	2000/5A	TAT0642K0X01	2000/1A	25	18
TAT064 horizontal	TAT0642K5X05	2500/5A	TAT0642K5X01	2500/1A	30	20
TAT064 vertical	TAT064200X05V	200/5A	TAT064200X01V	200/1A	2	-
TAT064 vertical	TAT064300X05V	300/5A	TAT064300X01V	300/1A	4	2
TAT064 vertical	TAT064400X05V	400/5A	TAT064400X01V	400/1A	6	4
TAT064 vertical	TAT064500X05V	500/5A	TAT064500X01V	500/1A	8	6
TAT064 vertical	TAT064600X05V	600/5A	TAT064600X01V	600/1A	10	6
TAT064 vertical	TAT064800X05V	800/5A	TAT064800X01V	800/1A	12	8
TAT064 vertical	TAT0641K0X05V	1000/5A	TAT0641K0X01V	1000/1A	15	10
TAT064 vertical	TAT0641K2X05V	1200/5A	TAT0641K2X01V	1200/1A	18	12
TAT064 vertical	TAT0641K5X02V	1500/5A	TAT0641K5X01V	1500/1A	20	15
TAT064 vertical	TAT0642K0X05V	2000/5A	TAT0642K0X01V	2000/1A	25	18
TAT064 vertical	TAT0642K5X05V	2500/5A	TAT0642K5X01V	2500/1A	30	20



kg 0,45 - 0,65

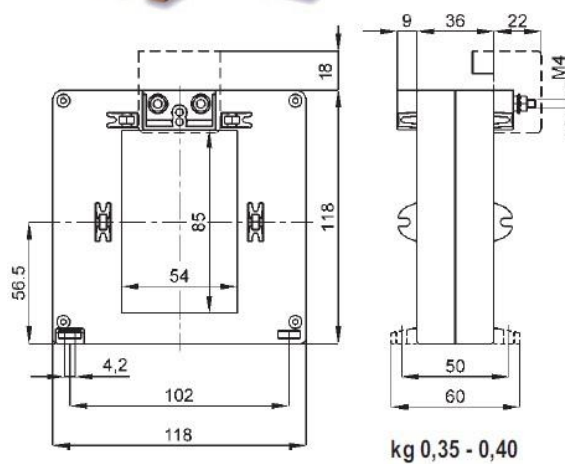
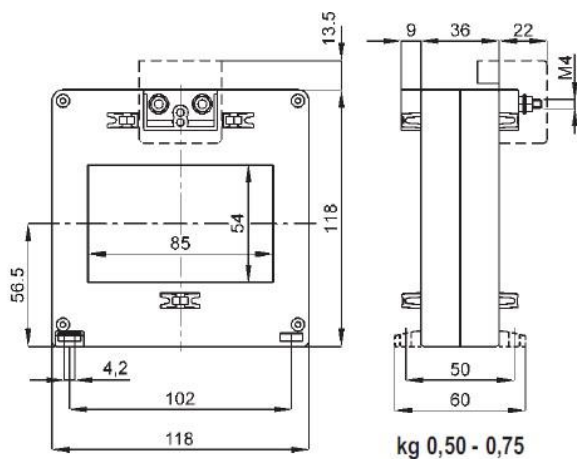
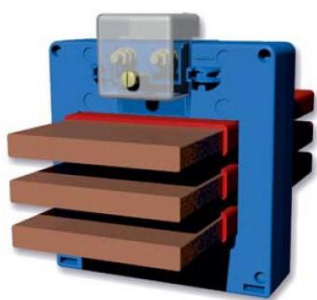


TAT085 Current Transformers single pole, 85x54 mm – Busbar 3 x 80 x 10

Series	MPN	Ratio	MPN	Ratio	VA Kl. 1	VA Kl. 0.5
TAT085 horizontal	TAT085800X05	800/5A	TAT085800X01	800/1A	12	8
TAT085 horizontal	TAT0851K0X05	1000/5A	TAT0851K0X01	1000/1A	15	10
TAT085 horizontal	TAT0851K2X05	1200/5A	TAT0851K2X01	1200/1A	18	12
TAT085 horizontal	TAT0851K5X02	1500/5A	TAT0851K5X01	1500/1A	20	15
TAT085 horizontal	TAT0852K0X05	2000/5A	TAT0852K0X01	2000/1A	25	18
TAT085 horizontal	TAT0852K5X05	2500/5A	TAT0852K5X01	2500/1A	30	20
TAT085 vertical	TAT085800X05V	800/5A	TAT085800X01V	800/1A	12	8
TAT085 vertical	TAT0851K0X05V	1000/5A	TAT0851K0X01V	1000/1A	15	10
TAT085 vertical	TAT0851K2X05V	1200/5A	TAT0851K2X01V	1200/1A	18	12
TAT085 vertical	TAT0851K5X02V	1500/5A	TAT0851K5X01V	1500/1A	20	15
TAT085 vertical	TAT0852K0X05V	2000/5A	TAT0852K0X01V	2000/1A	25	18
TAT085 vertical	TAT0852K5X05V	2500/5A	TAT0852K5X01V	2500/1A	30	20

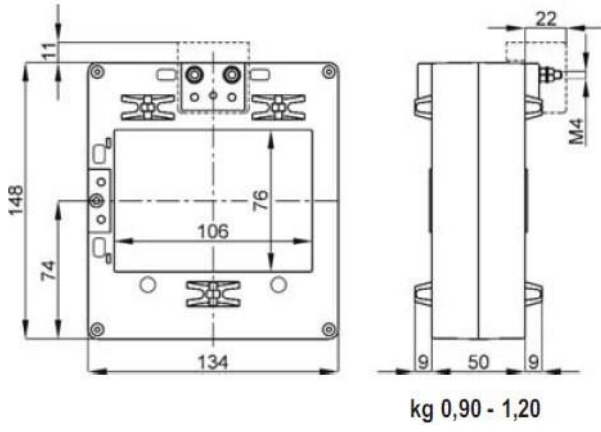
horizontal Version

vertical Version

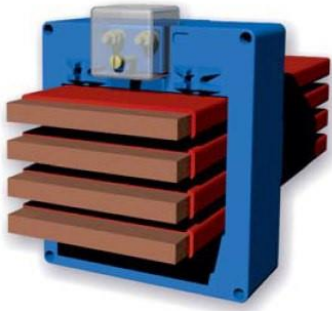
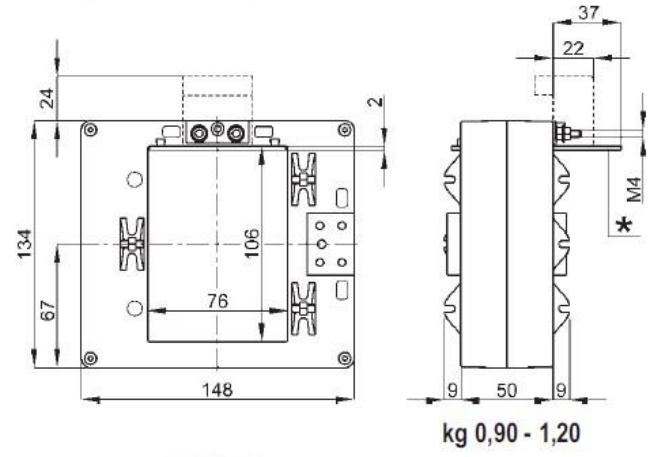


TAT106 Current Transformers single pole, 106x76 mm – Busbar 4 x 100 x 10						
Series	MPN	Ratio	MPN	Ratio	VA Kl. 1	VA Kl. 0.5
TAT106 horizontal	TAT106600X05	600/5A	TAT106600X01	600/1A	5	2
TAT106 horizontal	TAT106800X05	800/5A	TAT106800X01	800/1A	8	4
TAT106 horizontal	TAT1061K0X05	1000/5A	TAT1061K0X01	1000/1A	10	5
TAT106 horizontal	TAT1061K2X05	1200/5A	TAT1061K2X01	1200/1A	10	5
TAT106 horizontal	TAT1061K5X02	1500/5A	TAT1061K5X01	1500/1A	20	10
TAT106 horizontal	TAT1062K0X05	2000/5A	TAT1062K0X01	2000/1A	20	10
TAT106 horizontal	TAT1062K5X05	2500/5A	TAT1062K5X01	2500/1A	25	12
TAT106 horizontal	TAT1063K0X05	3000/5A	TAT1063K0X05	3000/1A	30	15
TAT106 horizontal	TAT1064K0X05	4000/5A	TAT1064K0X05	4000/1A	40	20
TAT106 vertical	TAT106600X05V	600/5A	TAT106600X01V	600/1A	5	2
TAT106 vertical	TAT106800X05V	800/5A	TAT106800X01V	800/1A	8	4
TAT106 vertical	TAT1061K0X05V	1000/5A	TAT1061K0X01V	1000/1A	10	5
TAT106 vertical	TAT1061K2X05V	1200/5A	TAT1061K2X01V	1200/1A	10	5
TAT106 vertical	TAT1061K5X02V	1500/5A	TAT1061K5X01V	1500/1A	20	10
TAT106 vertical	TAT1062K0X05V	2000/5A	TAT1062K0X01V	2000/1A	20	10
TAT106 vertical	TAT1062K5X05V	2500/5A	TAT1062K5X01V	2500/1A	25	12
TAT106 vertical	TAT1063K0X05V	3000/5A	TAT1063K0X05V	3000/1A	30	15
TAT106 vertical	TAT1064K0X05V	4000/5A	TAT1064K0X05V	4000/1A	40	20

horizontal Version



vertical Version

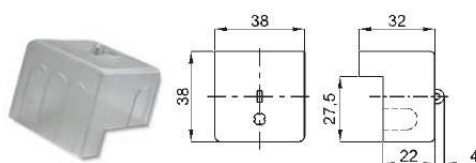


TAT Current Transformers - Accessories		
Description	VE	MPN
Insulating cover for fixing screws	2	9SAMCP
Terminal cover	1	9SBMCTA125
Insulation plate (nur TAT106)	1	9SBMPRT
Available on Request		
- Current Transformers with 2 or 3 ratios		
- None standard (see table) ratios		

Insulating cover



Terminal cover



Insulating plate



Customer specific current transformers

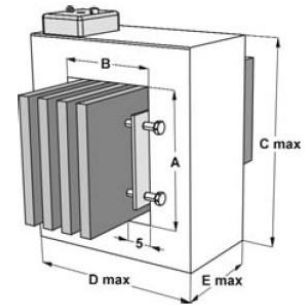
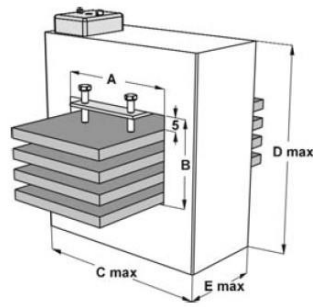
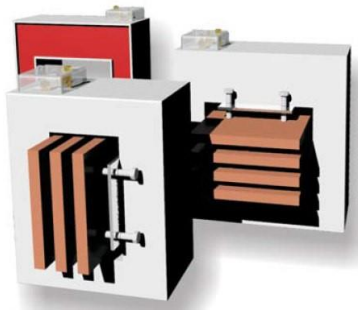
Series TAR...

Description

Low Voltage Current Transformers Series TAR are manufactured to customer specification. The following values can be specified: Outer and inner dimensions, Location of terminals, Ratios, Class 0.2s, 0.2, 0.5s, 0.5, 1 or 3 für measuring CTs; 5P, 10P or PX for protective CTs, etc.. Versions are available with multi-ratios, measuring or protective CTs and combined measuring and protective CTs with separate cores. TAR series are used, if standard products do not fulfill the required electrical or mechanical details. The current transformers will be delivered in a resin casted plastic case to withstand high level mechanical and thermal values such as vibration, shock and temperature. A busbar can be included. Part numbers are defined by the manufacturer on an individual basis.

Technical details

Frequency (to be specified)	16,66Hz to 400kHz
System voltage (to be specified):	0,72kV to 1,2kV
Test voltage:	3kV for 1 minute at 50Hz
Degree of protection (to be specified):	IP20 to IP54
Continuous overload:	1,2 x I _n
Thermal short time overload (I _{th}):	40 to 80 x I _n .
Dynamic short time overload (I _{dyn}):	2,5 x I _{th}
Overcurrent limiting factor:	N ≤ 5 to 10
Ambient operating temperature:	-25°C to +50°C
Stocking temperature:	-40°C to +80°C
Applicable standard:	EN 61869-1 and EN 61869-2



Version	Standard	Optional	Version	Standard	Optional
Busbar fixing		-	Test voltage 1,2 to 6kV	-	
Seleable terminal cover		-	Test certfcate		-
Customised terminals	-		Test report	-	
Secondary wires	-		Magnetising curve	-	

Low Voltage Current Transformers

General functionality , features and specification



General

Low Voltage Current Transformers are used to transfer high primary currents into a low level secondary current, which can be easily used in measuring applications. The relation between the input primary current and the output secondary current gives always a proportional signal.

Usage

For use with analogue indicators, digital metering systems, transducers, measuring relays and other components that accept an AC input signal.

Applicable Standards

EN 61869-1 and EN 61869-2 (previously EN 60044)

Case and enviromental conditions

Self-extinguishing polycarbonate in accordance to UL94V-0.

Ambient temperature for operation : -25°C to +50°C

Stocking temperature: -40°C to +80°C

Degree of protection: IP20

For indoor use

Insulating Class: E

Connection

M4 Terminal or stud with nut and washer

Electrical specification Systemvoltage: max. 720V AC

Nominal frequency: 50/60 Hz

Primary Current: 200A to 4000A (Series TAR to specification) Secondary Current: 5A or 1A

Tes Voltage: 3KV 50Hz for 1 Minute.

VA rating and class index: See product specification

Accuracy classes and typical usage

Class 0,2 and 0,2s: Laboratory use and network analyzers

Class 0,5 and 0,5s: Enregy Measurment

Class 1: Current and Power meters Class 3:

General usage

Überlastbarkeit:

Permanent Overload: $1,2 \times I_n$

Thermal short time overload (I_{th}): $60 \times I_n$.

Dynamic short time oberload (I_{dyn}): $2,5 \times I_{th}$

Frer offers a wide range of current transformers and also products with **EAC** certificate (formerly known as GOST) and **Kazachstan** certificate.

X-ON Electronics

Largest Supplier of Electrical and Electronic Components

Click to view similar products for [Current Transformers](#) category:

Click to view products by [FRER](#) manufacturer:

Other Similar products are found below :

[L595100](#) [ACST-260](#) [MP3500](#) [L595050](#) [BV EI 304 2089](#) [PACT RCP-4000A-UIRO-PT-D14](#) [PACT RCP-4000A-UIRO-PT-D19](#) [E54CT1L](#)
[CTD-KIT](#) [44021](#) [44104](#) [44176](#) [44248](#) [45023](#) [45041](#) [45071](#) [PA3828NL](#) [SPCT 100/60 1200/5A VA 15 CL 0.5](#) [SPCT 100/60 1000/5A VA 15](#)
[CL 0.5](#) [SPCT 100/60 600/5 A VA 7.5 CL 1](#) [SPCT 100/60 600/5 A VA 5 CL 0.5](#) [SPCT 100/60 800/5 A VA 10 CL 0.5](#) [SPCT 140/100 1200/5A](#)
[VA 15 CL 0.5](#) [SPCT 140/100 1250/5A VA 15 CL 0.5](#) [SPCT 140/100 1500/5A VA 15 CL 0.5](#) [SPCT 140/100 1600/5A VA 15 CL 0.5](#) [SPCT](#)
[140/100 1000/5A VA 15 CL 0.5](#) [SPCT 140/100 2500/5A VA 15 CL 0.5](#) [SPCT 140/100 2000/5A VA 15 CL 0.5](#) [SPCT 140/100 3000/5A VA 15](#)
[CL 0.5](#) [SPCT 140/100 800/5A VA 15 CL 0.5](#) [SPCT 62/30 50/5A VA1 CL 3](#) [SPCT 62/30 60/5A VA1 CL 3](#) [SPCT 62/30 75/5A VA1 CL 3](#)
[SPCT 62/30 75/5A VA3 CL 3](#) [SPCT 62/40 100/5 A VA 1 CL 1](#) [SPCT 62/40 125/5 A VA 1 CL 1](#) [SPCT 62/40 160/5 A VA 1.5 CL 1](#) [SPCT](#)
[62/40 200/5 A VA 2,5 CL 0,5](#) [SPCT 62/40 200/5 A VA 3 CL 1](#) [SPCT 62/40 250/5 A VA 2.5 CL 0.5](#) [SPCT 62/40 250/5 A VA 3 CL 1](#) [SPCT](#)
[62/40 300/5 A VA 3 CL 0.5](#) [SPCT 62/40 400/5 A VA 3.75 CL 0.5](#) [2CSM029000R1211](#) [HPT205NBJ-1](#) [HCT204KFH](#) [HCT20K-QD](#)
[HPT205A/F](#) [HCT-1\(80\)AH](#)