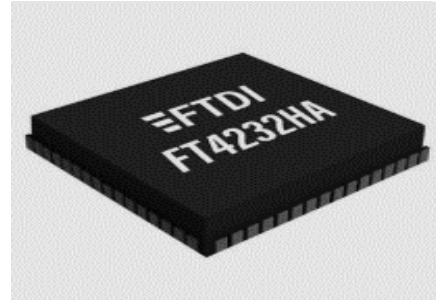


# Future Technology Devices International Ltd

## FT4232HA

### Automotive grade Quad High Speed USB to Multi-purpose UART/MPSSE IC



The FT4232HA is FTDI's 5<sup>th</sup> generation of USB devices. The FT4232HA is a USB 2.0 High Speed (480Mb/s) to UART/MPSSE IC that is automotive qualified for AEC temperature grade 2. The device features four UARTs. Two of these have an option to independently configure an MPSSE engine. This allows the FT4232HA to operate as two UART/Bit-Bang ports plus two MPSSE engines used to emulate JTAG, SPI, I<sup>2</sup>C, Bit-bang or other synchronous serial modes. The FT4232HA has the following advanced features:

- Single chip USB to quad serial ports with a variety of configurations.
- Entire USB protocol handled on the chip. No USB specific firmware programming required.
- USB 2.0 High Speed (480Mbits/Second) and Full Speed (12Mbits/Second) compatible.
- Two Multi-Protocol Synchronous Serial Engine (MPSSE) on channel A and channel B, to simplify synchronous serial protocol (USB to JTAG, I<sup>2</sup>C, SPI or bit-bang) design.
- Independent Baud rate generators.
- RS232/RS422/RS485 UART Transfer Data Rate up to 12Mbaud. (RS232 Data Rate limited by external level shifter).
- FTDI's royalty-free Virtual Com Port (VCP) and Direct (D2XX) drivers eliminate the requirement for USB driver development in most cases.
- Optional traffic TX/RX indicators can be added with LEDs and an external 74HC595 shift register.
- Adjustable receive buffer timeout.
- Support for USB suspend and resume conditions via PWREN#, SUSPEND# and RI# pins.
- FTDI FT232R/FT-X style, asynchronous serial UART interface option with full hardware handshaking and modem interface signals.
- Fully assisted hardware or X-On / X-Off software handshaking.
- UART Interface supports 7/8 bit data, 1/2 stop bits, and Odd/Even/Mark/Space/No Parity.
- Auto-transmit enable control for RS485 serial applications using TXDEN pin through external EEPROM.
- Operational configuration mode and USB Description strings configurable in external EEPROM over the USB interface.
- Low operating and USB suspend current.
- Configurable I/O drive strength (4, 8, 12 or 16mA) and slew rate.
- Supports bus powered, self-powered and high-power bus powered USB configurations.
- UHCI/OHCI/EHCI/xHCI host controller compatible.
- USB Bulk data transfer mode (512 byte packets in High Speed mode).
- Dedicated Windows DLLs available for USB to SPI, and USB to I<sup>2</sup>C applications.
- +3.3V single supply operating voltage range.
- +3.3V I/O interfacing (+5V Tolerant).
- Highly integrated design includes +1.2V LDO regulator for V<sub>CORE</sub>, integrated POR function and on chip clock multiplier PLL (12MHz – 480MHz).
- Extended -40°C to 105°C automotive grade 2 operating temperature range.
- Available in compact Pb-free 64 Pin QFN package (RoHS compliant)
- ESD protection for FT4232HA IO's: Human Body Model (HBM) ±2kV, Machine Mode (MM) ±200V, Charge Device Model (CDM) ±500V, Latch-up free.

Neither the whole nor any part of the information contained in, or the product described in this manual, may be adapted or reproduced in any material or electronic form without the prior written consent of the copyright holder. This product and its documentation are supplied on an as-is basis and no warranty as to their suitability for any particular purpose is either made or implied. Future Technology Devices International Ltd will not accept any claim for damages howsoever arising as a result of use or failure of this product. Your statutory rights are not affected. This product or any variant of it is not intended for use in any medical appliance, device or system in which the failure of the product might reasonably be expected to result in personal injury. This document provides preliminary information that may be subject to change without notice. No freedom to use patents or other intellectual property rights is implied by the publication of this document. Future Technology Devices International Ltd, Unit 1, 2 Seaward Place, Centurion Business Park, Glasgow, G41 1HH, United Kingdom.

## 1 Typical Applications

- Automotive
- Single chip USB to four channels UART (RS232, RS422 or RS485) or Bit-Bang interfaces.
- Single chip USB to 2 JTAG channels plus 2 UARTS.
- Single chip USB to 1 JTAG channel plus 3 UARTS.
- Single chip USB to 1 SPI channel plus 3 UARTS.
- Single chip USB to 2 SPI channels plus 2 UARTS.
- Single chip USB to 2 Bit-Bang channels plus 2 UARTS.
- Single chip USB to 1 SPI channel, plus 1 JTAG channel plus 2 UARTS.
- Single chip USB to 2 I<sup>2</sup>C channels plus 2 UARTS.
- Numerous combinations of 4 channels.
- Upgrading Legacy Peripheral Designs to USB
- Field Upgradable USB Products
- Cellular and cordless phone USB data transfer cables and interfaces.
- Interfacing MCU / PLD / FPGA based designs to USB
- PDA to USB data transfer
- USB Smart Card Readers
- USB Instrumentation
- USB Industrial Control
- USB MP3 Player Interface
- USB FLASH Card Reader / Writers
- Set Top Box PC - USB interface
- USB Digital Camera Interface
- USB Bar Code Readers

### 1.1 Driver Support

The FT4232HA requires USB drivers (listed below), which will be made available for free from <http://www.ftdichip.com>, and are used to make the FT4232HA appear as a virtual COM port (VCP). This allows the user to communicate with the USB interface via a standard PC serial emulation port (for example TTY). Another FTDI USB driver, the D2XX driver, can also be used with application software to directly access the FT4232HA through a DLL.

#### **Royalty free VIRTUAL COM PORT (VCP) DRIVERS for...**

- Windows 11,64-bit
- Windows 10 32,64-bit
- Windows 8/8.1 32,64-bit
- Windows 7 32,64-bit
- Windows Server 2008 and server 2012 R2
- Windows CE 4.2, 5.0 and 6.0
- Mac OS
- Linux 2.4 and greater

#### **Royalty free D2XX Direct Drivers (USB Drivers + DLL S/W Interface)**

- Windows 11,64-bit
- Windows 10 32,64-bit
- Windows 8/8.1 32,64-bit
- Windows 7 32,64-bit
- Windows Server 2008 and server 2012 R2
- Windows CE 4.2, 5.0 and 6.0
- Mac OS
- Linux 2.4 and greater
- Android(J2xx)

For driver installation, please refer to the installation guides on our website:  
<http://www.ftdichip.com/Support/Documents/InstallGuides.htm>

The following additional application notes and technical notes are also available:

- [AN 113 - "Interfacing FT2232H Hi-Speed Devices To I2C Bus"](#).
- [AN 117 - "User Guide For libMPSSE - I2C "](#)
- [AN 178 - "User Guide For libMPSSE - SPI "](#)
- [AN 113 - "Interfacing FT2232H Hi-Speed Devices To I2C Bus"](#)
- [AN 114 - "Interfacing FT2232H Hi-Speed Devices To SPI Bus"](#)
- [AN 135 - MPSSE Basics](#)
- [AN 108 - Command Processor For MPSSE and MCU Host Bus Emulation Modes](#)
- [AN 411 - FTx232H MPSSE I2C Master Example in C#](#)

- [TN\\_104 - "Guide to Debugging Customers Failed Driver Installation"](#)

## 1.2 Part Numbers

Part number	Description	Packing
FT4232HAQ-REEL	USB Hi-Speed to Quad Channel Serial UART/JTAG/SPI/I2C IC, Automotive, QFN-64, Reel.	2600 pieces per reel
FT4232HAQ-TRAY	USB Hi-Speed to Quad Channel Serial UART/JTAG/SPI/I2C IC, Automotive, QFN-64, Tray.	260 pieces per tray

## 1.3 USB Compliant

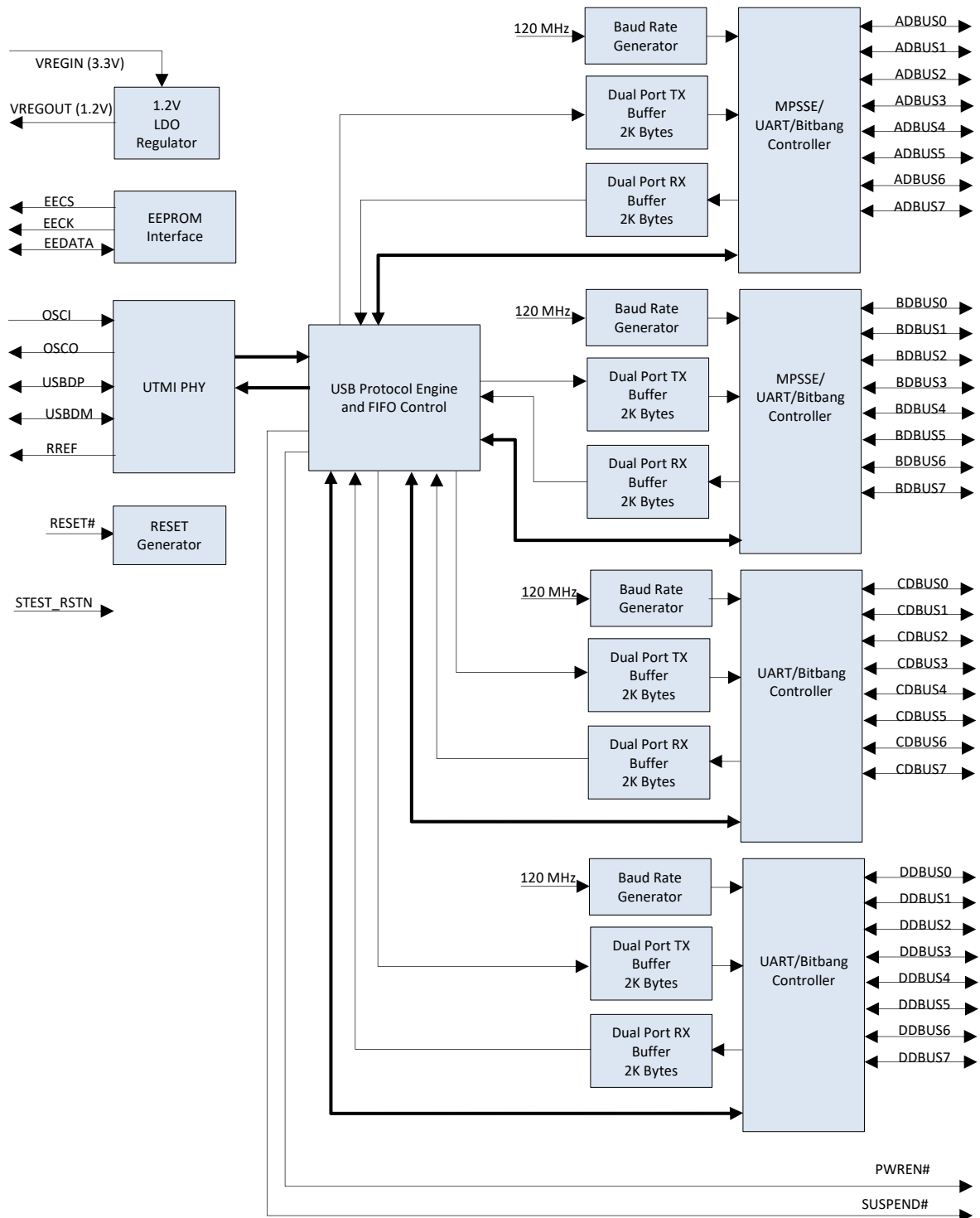
The FT4232HA is fully compliant with the USB 2.0 specification

It has been given the USB IF Test-ID 4345 for FT4232HA.

The timing of the rise/fall time of the USB signals is not only dependant on the USB signal drivers, it is also dependant on system and is affected by factors such as PCB layout, external components and any transient protection present on the USB signals. For USB compliance these may require a slight adjustment. Timing can also be changed by adding appropriate passive components to the USB signals.



## 2 FT4232HA Block Diagram



**Figure 2.1 FT4232HA Block Diagram**

For a description of each function please refer to **Section 4**.

## Table of Contents

<b>1 Typical Applications .....</b>	<b>2</b>
<b>1.1 Driver Support .....</b>	<b>2</b>
<b>1.2 Part Numbers.....</b>	<b>3</b>
<b>1.3 USB Compliant .....</b>	<b>3</b>
<b>2 FT4232HA Block Diagram.....</b>	<b>4</b>
<b>3 Device Pin Out and Signal Description.....</b>	<b>7</b>
<b>3.1 64-pin QFN Package.....</b>	<b>7</b>
3.1.1 Schematic Symbol .....	7
3.1.2 Pin Descriptions.....	8
3.1.3 Common Pins.....	9
3.1.4 Configured Pins .....	10
<b>4 Function Description .....</b>	<b>12</b>
<b>4.1 Key Features .....</b>	<b>12</b>
<b>4.2 Functional Blocks Description .....</b>	<b>12</b>
<b>4.3 FT232 UART Interface Mode Description.....</b>	<b>14</b>
4.3.1 RS232 Configuration .....	14
4.3.2 RS422 Configuration .....	16
4.3.3 RS485 Configuration .....	16
<b>4.4 MPSSE Interface Mode Description .....</b>	<b>18</b>
4.4.1 MPSSE Adaptive Clocking.....	19
<b>4.5 Synchronous &amp; Asynchronous Bit-Bang Interface Mode Desc. ...</b>	<b>20</b>
4.5.1 Asynchronous Bit-Bang Mode .....	20
4.5.2 Synchronous Bit-Bang Mode.....	20
<b>4.6 FT4232HA Mode Selection.....</b>	<b>21</b>
<b>5 Devices Characteristics and Ratings.....</b>	<b>22</b>
<b>5.1 Absolute Maximum Ratings.....</b>	<b>22</b>
<b>5.2 DC Characteristics.....</b>	<b>22</b>
<b>5.3 ESD Tolerance.....</b>	<b>24</b>
<b>5.4 Thermal Characteristics .....</b>	<b>24</b>
<b>6 FT4232HA Configurations.....</b>	<b>25</b>
<b>6.1 USB Bus Powered Configuration .....</b>	<b>25</b>
<b>6.2 USB Self Powered Configuration .....</b>	<b>26</b>
<b>6.3 Oscillator Configuration .....</b>	<b>27</b>
<b>6.4 4 Channel Transmit and Receiver LED Indication Example.....</b>	<b>28</b>

---

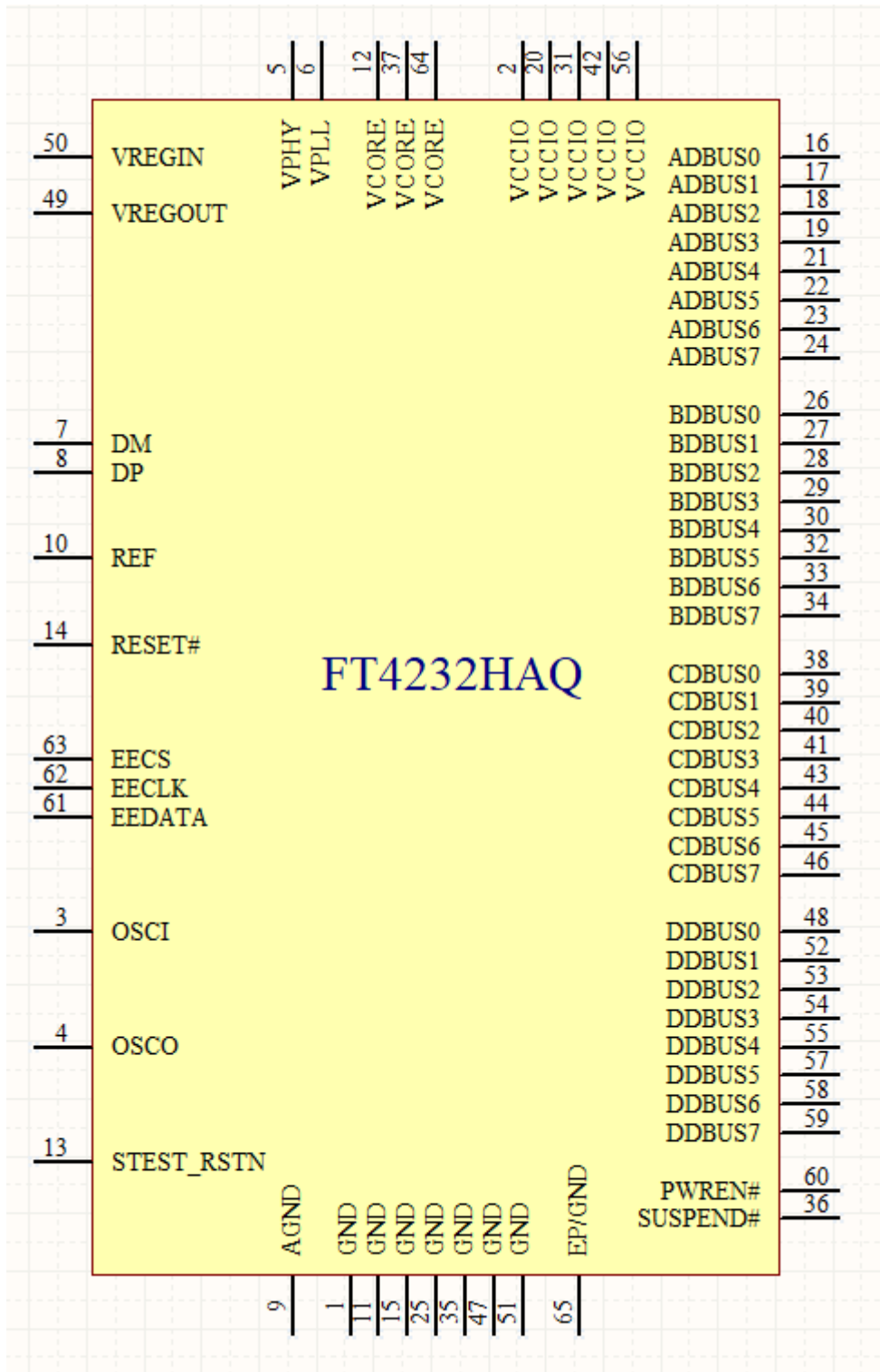
<b>7 EEPROM Configuration .....</b>	<b>29</b>
<b>7.1 Default EEPROM Configuration.....</b>	<b>29</b>
<b>8 Package Parameters .....</b>	<b>31</b>
<b>8.1 FT4232HAQ, QFN-64 Package Details .....</b>	<b>31</b>
<b>8.2 Solder Reflow Profile .....</b>	<b>32</b>
<b>9 Contact Information.....</b>	<b>33</b>
<b>Appendix A – References .....</b>	<b>34</b>
Document References.....	34
Acronyms and Abbreviations .....	34
<b>Appendix B - List of Tables and Figures .....</b>	<b>36</b>
List of Tables .....	36
List of Figures.....	36
<b>Appendix C - Revision History .....</b>	<b>38</b>

### 3 Device Pin Out and Signal Description

#### 3.1 64-pin QFN Package

The 64-pin QFN pin numbering is illustrated in the schematic symbol shown in Figure 3.1.

##### 3.1.1 Schematic Symbol



**Figure 3.1 FT4232HAQ Schematic Symbol**

### 3.1.2 Pin Descriptions

This section describes the operation of the FT4232HA pins for 64-pin QFN. The function of many pins is determined by the configuration of the FT4232HA.

Table 3-1 details the function of each pin dependent on the configuration of the interface.

**Note:** The convention used throughout this document for active low signals is signal name followed by #.

FT4232HA (64-pin)					
Pins		Pin functions (depend on configuration)			
Pin #	Pin Name	ASYNC Serial (RS232)	ASYNC Bit-bang	SYNC Bit-bang	MPSSE
<b>Channel A</b>					
16	ADBUS0	TXD	D0	D0	TCK/SK
17	ADBUS1	RXD	D1	D1	TDI/DO
18	ADBUS2	RTS#	D2	D2	TDO/DI
19	ADBUS3	CTS#	D3	D3	TMS/CS
21	ADBUS4	DTR#	D4	D4	GPIOL0
22	ADBUS5	DSR#	D5	D5	GPIOL1
23	ADBUS6	DCD#	D6	D6	GPIOL2
24	ADBUS7	RI#/ TXDEN*	D7	D7	GPIOL3
<b>Channel B</b>					
26	BDBUS0	TXD	D0	D0	TCK/SK
27	BDBUS1	RXD	D1	D1	TDI/DO
28	BDBUS2	RTS#	D2	D2	TDO/DI
29	BDBUS3	CTS#	D3	D3	TMS/CS
30	BDBUS4	DTR#	D4	D4	GPIOL0
32	BDBUS5	DSR#	D5	D5	GPIOL1
33	BDBUS6	DCD#	D6	D6	GPIOL2
34	BDBUS7	RI#/ TXDEN*	D7	D7	GPIOL3
<b>Channel C</b>					
38	CDBUS0	TXD	D0	D0	RS232 or Bit-Bang interface
39	CDBUS1	RXD	D1	D1	RS232 or Bit-Bang interface
40	CDBUS2	RTS#	D2	D2	RS232 or Bit-Bang interface
41	CDBUS3	CTS#	D3	D3	RS232 or Bit-Bang interface
43	CDBUS4	DTR#	D4	D4	RS232 or Bit-Bang interface
44	CDBUS5	DSR#	D5	D5	RS232 or Bit-Bang interface
45	CDBUS6	DCD#	D6	D6	RS232 or Bit-Bang interface
46	CDBUS7	RI#/ TXDEN*	D7	D7	RS232 or Bit-Bang interface
<b>Channel D</b>					
48	DDBUS0	TXD	D0	D0	RS232 or Bit-Bang interface
52	DDBUS1	RXD	D1	D1	RS232 or Bit-Bang interface
53	DDBUS2	RTS#	D2	D2	RS232 or Bit-Bang interface
54	DDBUS3	CTS#	D3	D3	RS232 or Bit-Bang interface
55	DDBUS4	DTR#	D4	D4	RS232 or Bit-Bang interface
57	DDBUS5	DSR#	D5	D5	RS232 or Bit-Bang interface
58	DDBUS6	DCD#	D6	D6	RS232 or Bit-Bang interface
59	DDBUS7	RI#/ TXDEN*	D7	D7	RS232 or Bit-Bang interface

**Table 3-1 FT4232HA Pin Configurations for 64-pin QFN package**

\* RI#/ or TXDEN is selectable in the EEPROM. Default is RI#.



### 3.1.3 Common Pins

The operation of the following FT4232HA pins are the same regardless of the configured mode:-

Pin No.	Name	Type	Description
<b>12,37,64</b>	VCORE	POWER Input	+1.2V input. Core supply voltage input.
<b>2,20,31,42,56</b>	VCCIO	POWER Input	+3.3V input. I/O interface power supply input. Failure to connect all VCCIO pins will result in failure of the device.
<b>6</b>	VPLL	POWER Input	+3.3V input. Internal PHY PLL power supply input. It is recommended that this supply is filtered using an LC filter.
<b>5</b>	VPHY	POWER Input	+3.3V Input. Internal USB PHY power supply input. Note that this cannot be connected directly to the USB supply. A +3.3V regulator must be used. It is recommended that this supply is filtered using an LC filter.
<b>50</b>	VREGIN	POWER Input	+3.3V Input. Integrated 1.2V voltage regulator input.
<b>49</b>	VREGOUT	POWER Output	+1.2V Output. Integrated voltage regulator output. Connect to VCORE with 3.3uF filter capacitor.
<b>9</b>	AGND	POWER Input	0V Analog ground.
<b>1, 11,15, 25,35,47,51,65</b>	GND	POWER Input	0V Ground input.

**Table 3-2 Power and Ground for 64-pin QFN package**

Pin No.	Name	Type	Description
<b>3</b>	OSCI	INPUT	Oscillator input.
<b>4</b>	OSCO	OUTPUT	Oscillator output.
<b>10</b>	REF	INPUT	Current reference – connect via a 12K Ohm resistor @ 1% to GND.
<b>7</b>	DM	I/O	USB Data Signal Minus.
<b>8</b>	DP	I/O	USB Data Signal Plus.
<b>13</b>	STEST_RSTN	INPUT	IC test pin – for normal operation should be connected to GND.
<b>14</b>	RESET#	INPUT	Reset input (active low).
<b>60</b>	PWREN#	OUTPUT	Active low power-enable output. PWREN# = 0: Normal operation. PWREN# = 1: USB SUSPEND mode or device has not been configured. This can be used by external circuitry to power down logic when device is in USB suspend or has not been configured.
<b>36</b>	SUSPEND#	OUTPUT	Active low when USB is in suspend mode.

**Table 3-3 Common Function pins for 64-pin QFN Package**

Pin No.	Name	Type	Description
<b>63</b>	EECS	I/O	EEPROM – Chip Select. Tri-State during device reset.
<b>62</b>	EECLK	OUTPUT	Clock signal to EEPROM. Tri-State during device reset. When not in reset, this outputs the EEPROM clock.
<b>61</b>	EEDATA	I/O	EEPROM – Data I/O Connect directly to Data-In of the EEPROM and to Data-Out of the EEPROM via a 2.2K resistor. Also, pull Data-Out of the EEPROM to VCC via a 10K resistor for correct operation. Tri-State during device reset.

**Table 3-4 EEPROM Interface Group for 64-pin QFN Package**

### 3.1.4 Configured Pins

The following sections describe the function of the configurable pins referred to in

Table 3-1 which is determined by how the FT4232HA is configured.

#### 3.1.4.1 FT4232HA Pins used as an Asynchronous Serial Interface

Any of the 4 channels of the FT4232HA can be configured as an asynchronous serial UART interface (RS232/422/485). When configured in this mode, the pins used and the descriptions of the signals are shown in Table 3-5.

Channel A Pin No.	Channel B Pin No.	Channel C Pin No.	Channel D Pin No.	Name	Type	RS232 Configuration Description
16	26	38	48	TXD	OUTPUT	TXD = transmitter output
17	27	39	52	RXD	INPUT	RXD = receiver input
18	28	40	53	RTS#	OUTPUT	RTS# = Ready To send handshake output
19	29	41	54	CTS#	INPUT	CTS# = Clear To Send handshake input
21	30	43	55	DTR#	OUTPUT	DTR# = Data Transmit Ready modem signaling line
22	32	44	57	DSR#	INPUT	DSR# = Data Set Ready modem signaling line
23	33	45	58	DCD#	INPUT	DCD# = Data Carrier Detect modem signaling line
24	34	46	59	RI#/ TXDEN	INPUT/OUTPUT	RI# = Ring Indicator Control Input. When the Remote Wake up option is enabled in the EEPROM, taking RI# low can be used to resume the PC USB Host controller from suspend. (see note 1, 2 and 3) TXDEN = (TTL level). For use with RS485 level converters.

**Table 3-5 Channel A, B, C and D Asynchronous Serial Interface Configured Pin Descriptions**

#### Notes

1. When using remote wake-up, ensure the resistors are pulled-up in suspend. Also ensure peripheral designs do not allow any current sink paths that may partially power the peripheral.
2. All devices (except InterChip USB) have a maximum suspend current limit of 2.5mA. InterChip device suspend current limit remains at 150uA.
3. If a Pull-down is enabled, the FT4232HA will not wake up from suspend.

#### 3.1.4.2 FT4232HA Pins used in a Synchronous or Asynchronous Bit-Bang Interface

The FT4232HA channel A, B, C or channel D can be configured as a bit-bang interface. There are two types of bit-bang modes: synchronous and asynchronous. When configured in any bit-bang mode (synchronous or asynchronous), the pins used and the descriptions of the signals are shown in **Table 3-6**.

Channel Number	Pin Nos.	Name	Type	Synchronous or Asynchronous Bit-Bang Configuration Description
A	24,23,22,21, 19,18,17,16	ADBUSB[7:0]	I/O	Channel A, D7 to D0 bidirectional bit-bang data
B	34,33,32,30, 29,28,27,26	BDBUSB[7:0]	I/O	Channel B, D7 to D0 bidirectional bit-bang data
C	46,45,44,43, 41,40,39,38	CDBUSB[7:0]	I/O	Channel C, D7 to D0 bidirectional bit-bang data
D	59,58,57,55 54,53,52,48	DDBUSB[7:0]	I/O	Channel D, D7 to D0 bidirectional bit-bang data

**Table 3-6 Channel A, B, C & D Synchronous/Asynchronous Bit-Bang Configured Pin Descriptions**

For the functional description of this mode, please refer to section 0.

### 3.1.4.3 FT4232HA pins used in an MPSSE

The FT4232HA channel A and channel B, each have a Multi-Protocol Synchronous Serial Engine (MPSSE). Each MPSSE can be independently configured to a number of industry standard serial interface protocols such as JTAG, I<sup>2</sup>C or SPI, or it can be used to implement a proprietary bus protocol. For example, it is possible to use one of the FT4232HA's channels (e.g. channel A) to connect to an SRAM configurable FPGA such as supplied by Altera or Xilinx. The FPGA device would normally be un-configured (i.e. have no defined function) at power-up. Application software on the PC could use the MPSSE to download configuration data to the FPGA over USB. This data would define the hardware function on power up. The other MPSSE channel (e.g. channel B) would be available for another serial interface function while channel C and channel D can be configured as UART or bit-bang mode. Alternatively each MPSSE can be used to control a number of GPIO pins. When configured in this mode, the pins used and the descriptions of the signals are shown in Table 3-7.

Channel A Pin No.	Channel B Pin No.	Name	Type	MPSSE Configuration Description
<b>16</b>	<b>26</b>	TCK/SK	OUTPUT	Clock Signal Output. For example: JTAG – TCK, Test interface clock SPI – SK, Serial Clock
<b>17</b>	<b>27</b>	TDI/DO	OUTPUT	Serial Data Output. For example: JTAG – TDI, Test Data Input SPI – DO, serial data output
<b>18</b>	<b>28</b>	TDO/DI	INPUT	Serial Data Input. For example: JTAG – TDO, Test Data output SPI – DI, Serial Data Input
<b>19</b>	<b>29</b>	TMS/CS	OUTPUT	Output Signal Select. For example: JTAG – TMS, Test Mode Select SPI – CS, Serial Chip Select
<b>21</b>	<b>30</b>	GPIOL0	I/O	General Purpose input/output
<b>22</b>	<b>32</b>	GPIOL1	I/O	General Purpose input/output
<b>23</b>	<b>33</b>	GPIOL2	I/O	General Purpose input/output
<b>24</b>	<b>34</b>	GPIOL3	I/O	General Purpose input/output

**Table 3-7 Channel A and Channel B MPSSE Configured Pin Descriptions**

For a functional description of this mode, please refer to section 4.4.

When either Channel A or Channel B or both channels are used in MPSSE mode, Channel C and Channel D can be configured as asynchronous serial interface (RS232/422/485) or Bit-Bang mode or a combination of both.

## 4 Function Description

The FT4232HA is FTDI's 5<sup>th</sup> generation of USB devices. The FT4232HA is a USB 2.0 High Speed (480Mb/s) to UART/MPSSE IC that is automotive qualified for AEC temperature grade 2. It has the capability of being configured in a variety of industry standard serial interfaces.

The FT4232HA has four independent configurable interfaces. Two of these interfaces can be configured as UART, JTAG, SPI, I<sup>2</sup>C or bit-bang mode, using an MPSSE, with independent baud rate generators. The remaining two interfaces can be configured as UART or bit-bang.

### 4.1 Key Features

**USB High Speed to Quad Interface.** The FT4232HA is a USB 2.0 High Speed (480Mbits/s) to four independent flexible/configurable serial interfaces.

**Functional Integration.** The FT4232HA integrates a USB protocol engine which controls the physical Universal Transceiver Macrocell Interface (UTMI) and handles all aspects of the USB 2.0 High Speed interface. The FT4232HA includes an integrated +1.2V Low Drop-Out (LDO) regulator and 12MHz to 480MHz PLL. It also includes 2kbytes Tx and Rx data buffers per channel. The FT4232HA effectively integrates the entire USB protocol on a chip.

**MPSSE.** Multi-Purpose Synchronous Serial Engines (MPSSE), capable of speeds up to 30 Mbits/s, provides flexible synchronous interface configurations.

**Data Transfer Rate.** The FT4232HA supports a data transfer rate up to 12 Mbit/s when configured as an RS232/RS422/RS485 UART interface. Please note the FT4232HA does not support the baud rates of 7 Mbaud, 9 Mbaud, 10 Mbaud and 11 Mbaud.

**Latency Timer.** This is used as a timeout to flush short packets of data back to the PC. The default is 16ms, but it can be altered between 2ms and 255ms. Lower values may reduce latency but may also increase USB bandwidth usage and reduce efficiency.

### 4.2 Functional Blocks Description

**Quad Multi-Purpose UART/MPSSE Controllers.** The FT4232HA has four independent UART/MPSSE Controllers. These blocks control the UART data or control the Bit-Bang mode if selected by the SETUP command. The blocks used on channel A and channel B also contain a MPSSE (Multi-Protocol Synchronous Serial Engine) in each of them which can be used independently of each other and the remaining UART channels. Using this it can be configured under software command to have 1 MPSSE + 3 UARTS (each UART can be set to Bit Bang mode to gain extra I/O if required) or 2 MPSSE + 2 UARTS.

**USB Protocol Engine and FIFO control.** The USB Protocol Engine controls and manages the interface between the UTMI PHY and the FIFOs of the chip. It also handles power management and the USB protocol specification.

**Dual Port FIFO TX Buffer (2Kbytes per channel).** Data from the Host PC is stored in these buffers to be used by the Multi-purpose UART/FIFO controllers. This is controlled by the USB Protocol Engine and FIFO control block.

**Dual Port FIFO RX Buffer (2Kbytes per channel).** Data from the Multi-purpose UART/FIFO controllers is stored in these blocks to be sent back to the Host PC when requested. This is controlled by the USB Protocol Engine and FIFO control block.

**RESET Generator** - The integrated Reset Generator Cell provides a reliable power-on reset to the device internal circuitry at power up. The RESET# input pin allows an external device to reset the FT4232HA. RESET# should be tied to VCCIO (+3.3v) if not being used.

**Independent Baud Rate Generators** - The Baud Rate Generators provides an x16 or an x10 clock input to the UART's from a 120MHz reference clock and consists of a 14 bit pre-scaler and 4 register bits which provide fine tuning of the baud rate (used to divide by a number plus a fraction). This determines the Baud Rate of the UART which is programmable from 183 baud to 12 million baud. The FT4232HA does not support the baud rates of 7 Mbaud, 9 Mbaud, 10 Mbaud and 11 Mbaud.

Refer to application note [AN\\_120](#) for more details.

**+1.2V LDO Regulator.** The +1.2V LDO regulator generates the +1.2 volts for the core and the USB transceiver cell. Its input (VREGIN) must be connected to a +3.3V external power source. It is also recommended to add an external filtering capacitor to the VREGIN. There is no direct connection from the +1.2V output (VREGOUT) and the internal functions of the FT4232HA. The PCB must be routed to connect VREGOUT to the pins that require the +1.2V.

**UTMI PHY.** The Universal Transceiver Macrocell Interface (UTMI) physical interface cell. This block handles the Full speed / High Speed SERDES (serialise – de-serialise) function for the USB TX/RX data. It also provides the clocks for the rest of the chip. A 12 MHz crystal should be connected to the OSCI and OSCO pins. A 12K Ohm resistor should be connected between REF and GND on the PCB.

The UTMI PHY functions include:

- Supports 480 Mbit/s "High Speed" (HS)/ 12 Mbit/s "Full Speed" (FS) and FS Only.
- SYNC/EOP generation and checking.
- Data and clock recovery from serial stream on the USB.
- Bit-stuffing/unstuffing; bit stuff error detection.
- Manages USB Resume, Wake Up and Suspend functions.
- Single parallel data clock output with on-chip PLL to generate higher speed serial data clocks.

**EEPROM Interface.** When used without an external EEPROM the FT4232HA defaults to a quad USB to an asynchronous serial port device. Adding an external 93C46 (93C56 or 93C66) EEPROM allows customization of USB VID, PID, Serial Number, Product Description Strings and Power Descriptor value of the FT4232HA for OEM applications. Other parameters controlled by the EEPROM include Remote Wake Up, Soft Pull Down on Power-Off and I/O pin drive strength.

The EEPROM must be a 16 bit wide configuration such as a Microchip 93LC46B or equivalent capable of a 1Mbit/s clock rate at VCC = +3.00V to 3.6V. The EEPROM is programmable in-circuit over USB using a utility program called [FT\\_PROG](#). This allows a blank part to be soldered onto the PCB and programmed as part of the manufacturing and test process.

If no EEPROM is connected (or the EEPROM is blank), the FT4232HA will default to serial ports. The device uses its built-in default VID (0403), PID (6048) Product Description and Power Descriptor Value. In this case, the device will not have a serial number as part of the USB descriptor.

### 4.3 FT232 UART Interface Mode Description

The FT4232HA can be configured in similar UART modes as the FT232R/FT-X devices (an asynchronous serial interface). The following examples illustrate how to configure the FT4232HA with an RS232, RS422 or RS485 interfaces. The FT4232HA can be configured as a mixture of these interfaces.

#### 4.3.1 RS232 Configuration

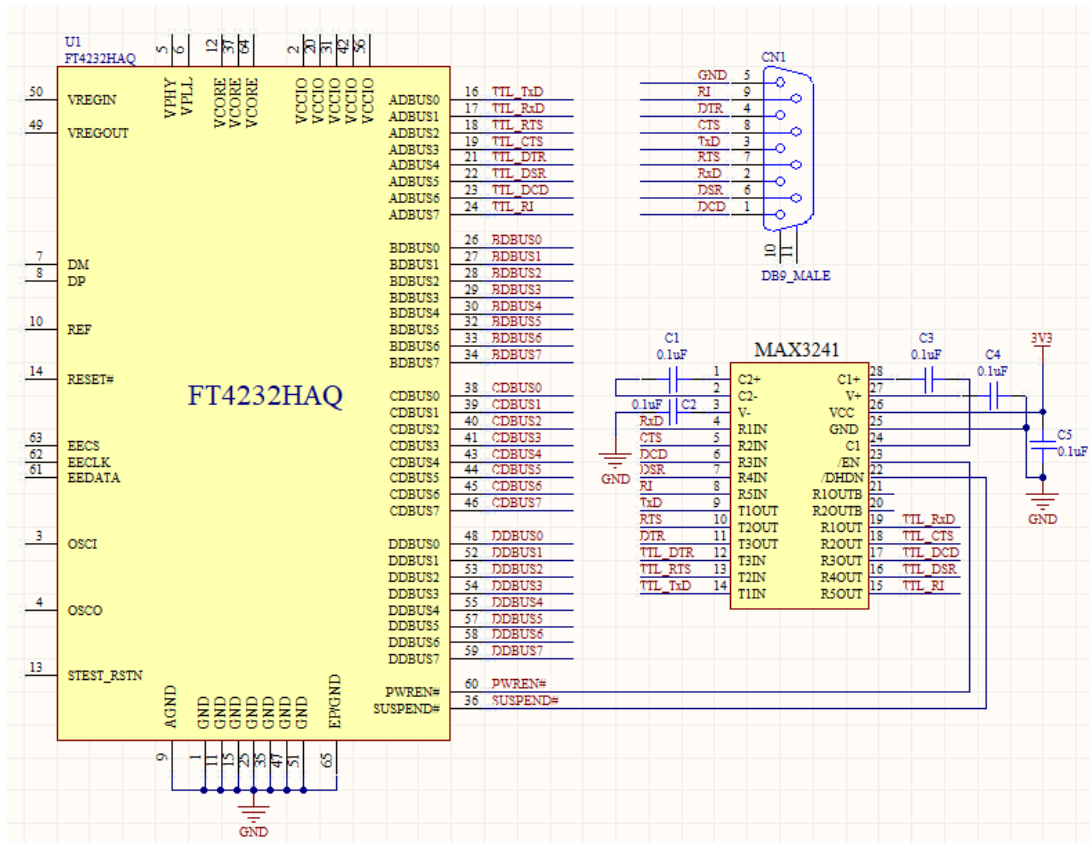
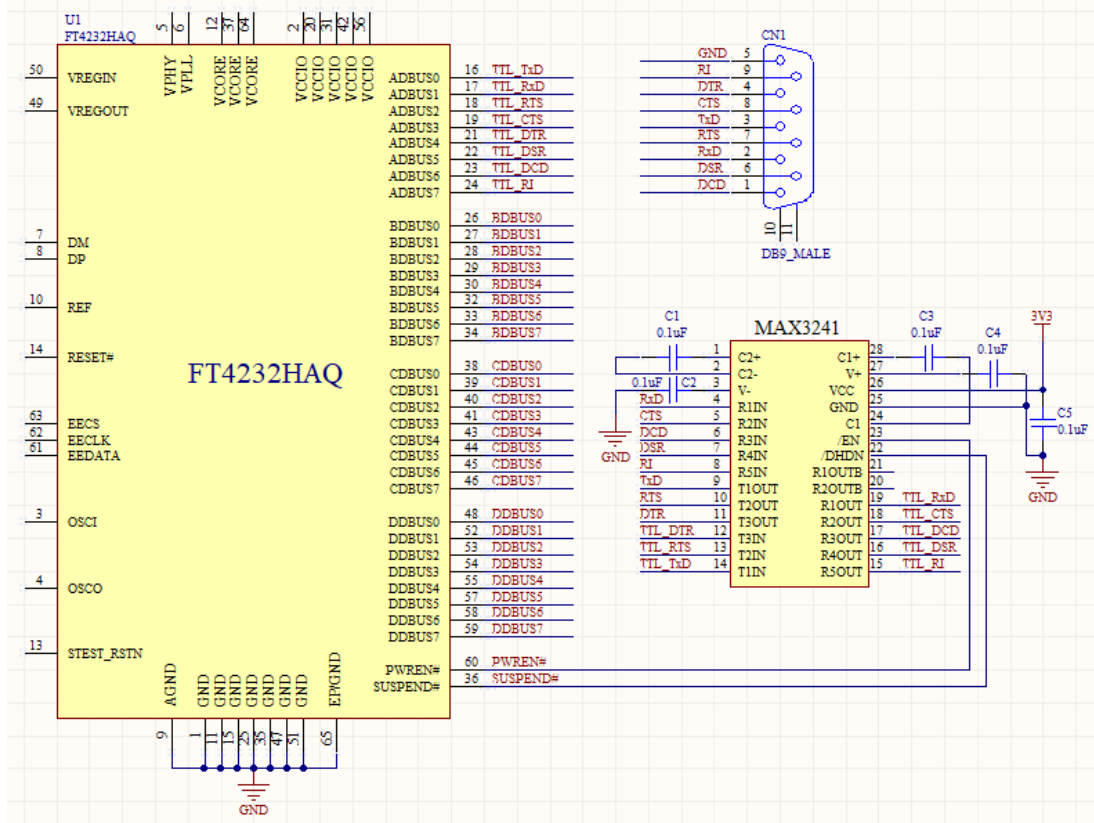


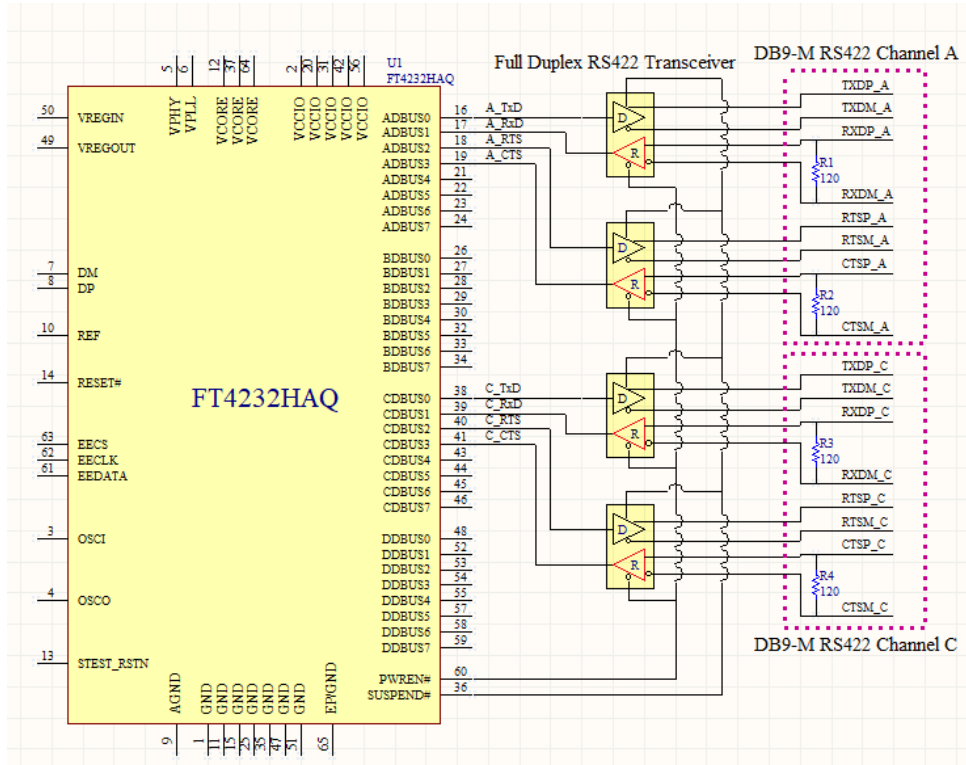
Figure 4.1 Illustrates how the FT4232HA channel A can be configured with an RS232 UART interface. This can be repeated for channels B, C and D to provide a quad RS232, but has been omitted for clarity.



**Figure 4.1 RS232 Configuration**

### 4.3.2 RS422 Configuration

Figure 4.2 illustrates how the FT4232HA can be configured as a dual RS422 interface. The FT4232HA can have all 4 channels connected as RS422, but only channel A and channel C are shown for clarity.



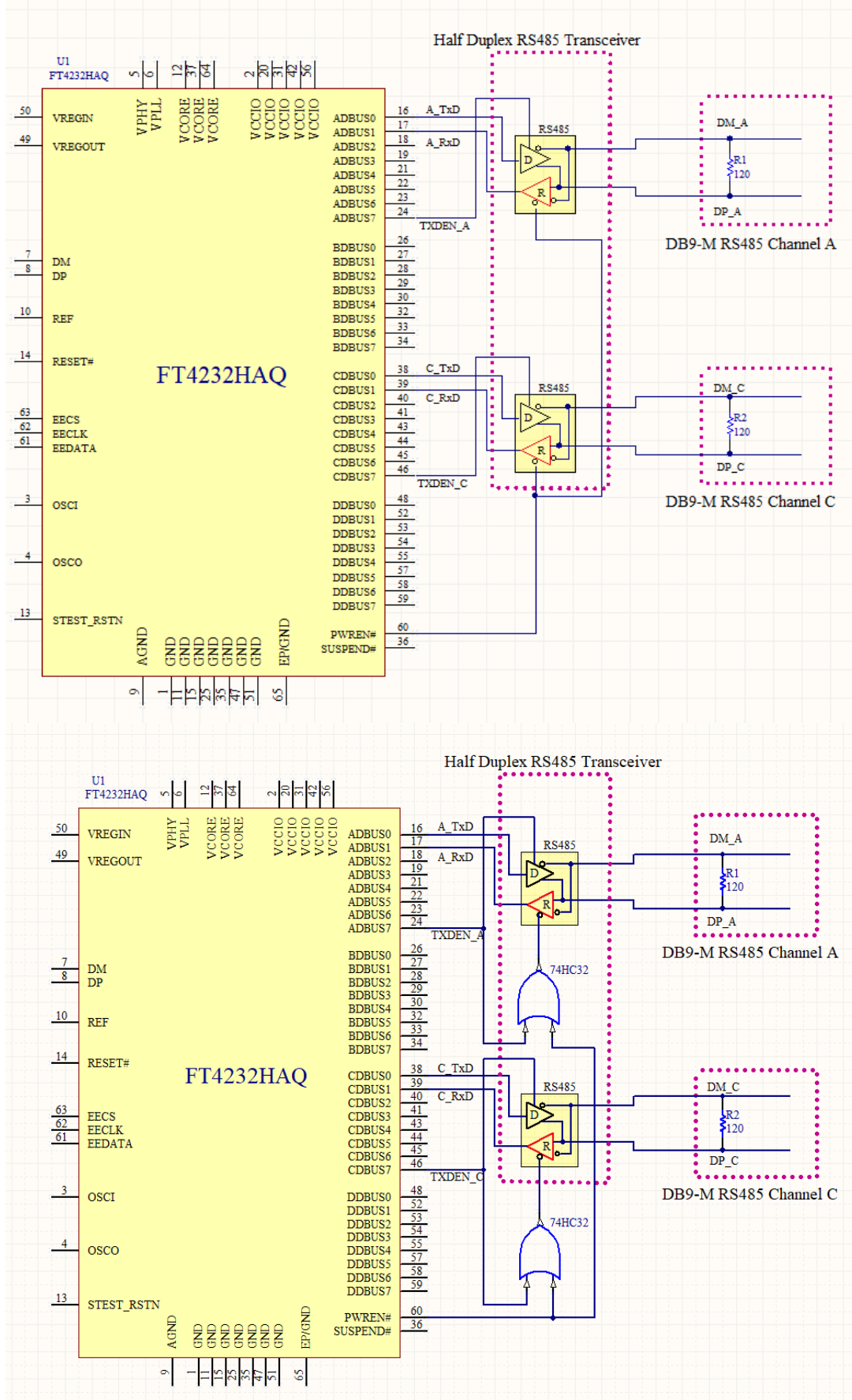
**Figure 4.2 Dual RS422 Configurations**

In this case both channel A and channel C are configured as UART operating at TTL levels and a level converter device (full duplex RS422 transceiver) is used to convert the TTL level signals from the FT4232HA to RS422 levels. The PWREN# signal is used to power down the level shifters such that they operate in a low quiescent current when the USB interface is in suspend mode.

### 4.3.3 RS485 Configuration

Figure 4.3 illustrates two examples how the FT4232HA can be configured as a dual RS485 interface. The FT4232HA can have all 4 channels connected as RS485, but only channel A and channel C are shown for clarity.





**Figure 4.3 Dual RS485 Configurations**

In this case both channel A and channel C are configured as RS485 operating at TTL levels and a level converter device (half duplex RS485 transceiver) is used to convert the TTL level signals from the FT4232HA to RS485 levels. It has separate enables on both the transmitter and receiver. With RS485, the transmitter is only enabled when a character is being transmitted from the UART. The TXDEN pins on the FT4232HA are provided for exactly that purpose, and so the transmitter enables are wired to the TXDEN. The TXDEN function is enabled via the external EEPROM. The receiver enable is active low, so it is wired to the PWREN# pin to disable the receiver when in USB suspend mode.

RS485 is a multi-drop network – i.e. many devices can communicate with each other over a single two wire cable connection. The RS485 cable requires to be terminated at each end of the cable. Links can be provided to allow the cable to be terminated if the device is physically positioned at either end of the cable.

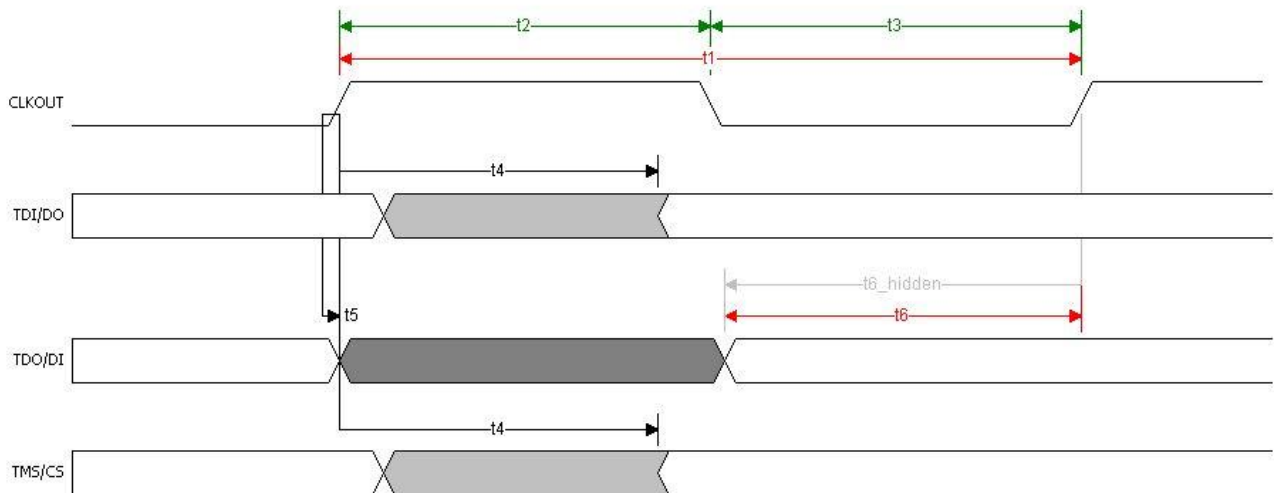
In first example the data transmitted by the FT4232HA is also received by the device that is transmitting. This is a common feature of RS485 and requires the application software to remove the transmitted data from the received data stream. With the FT4232HA it is possible to do this entirely in hardware – simply modify the schematic so that RXD of the FT4232HA is the logical OR of the level converter device receiver output with TXDEN using an HC32 or similar logic gate as seen on the following example.

### 4.4 MPSSE Interface Mode Description

MPSSE Mode is designed to allow the FT4232HA to interface efficiently with synchronous serial protocols such as JTAG, I2C and SPI Bus. It can also be used to program SRAM based FPGA’s over USB. The MPSSE interface is designed to be flexible so that it can be configured to allow any synchronous serial protocol (industry standard or proprietary) to be implemented using the FT4232HA. MPSSE is only available on channel A and channel B.

MPSSE is fully configurable, and is programmed by sending commands down the data stream. These can be sent individually or more efficiently in packets. MPSSE is capable of a maximum sustained data rate of 30 Mbits/s.

When a channel is configured in MPSSE mode, the IO timing and signals used are shown in **Figure 4.4** and **Table 4-1**. These show timings for CLKOUT=30MHz. CLKOUT can be divided internally to be provide a slower clock.



**Figure 4.4 MPSSE Signal Waveforms**

NAME	MIN	NOM	MAX	Units	COMMENT
t1		33.33		ns	CLKOUT period
t2	15	16.67		ns	CLKOUT high period
t3	15	16.67		ns	CLKOUT low period
t4	1		7.15	ns	CLKOUT to TDI/DO delay
t5	0			ns	TDO/DI hold time
t6	11				TDO/DI setup time

**Table 4-1 MPSSE Signal Timings**

MPSSE mode is enabled using Set Bit Bang Mode driver command. A hex value of 2 will enable it, and a hex value of 0 will reset the device. See application note [AN2232-02, "Bit Mode Functions for the FT2232"](#) for more details and examples.

The MPSSE command set is fully described in application note [AN\\_108 – "Command Processor for MPSSE and MCU Host Bus Emulation Modes"](#).

The following additional application notes are available for configuring the MPSSE:

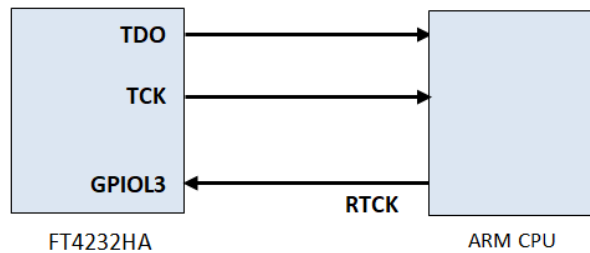
- [AN\\_110 – "Programming Guide for High Speed FTCJTAG DLL"](#)
- The following page has software examples which show how to configure the MPSSE: [MPSSE Examples](#)

#### 4.4.1 MPSSE Adaptive Clocking

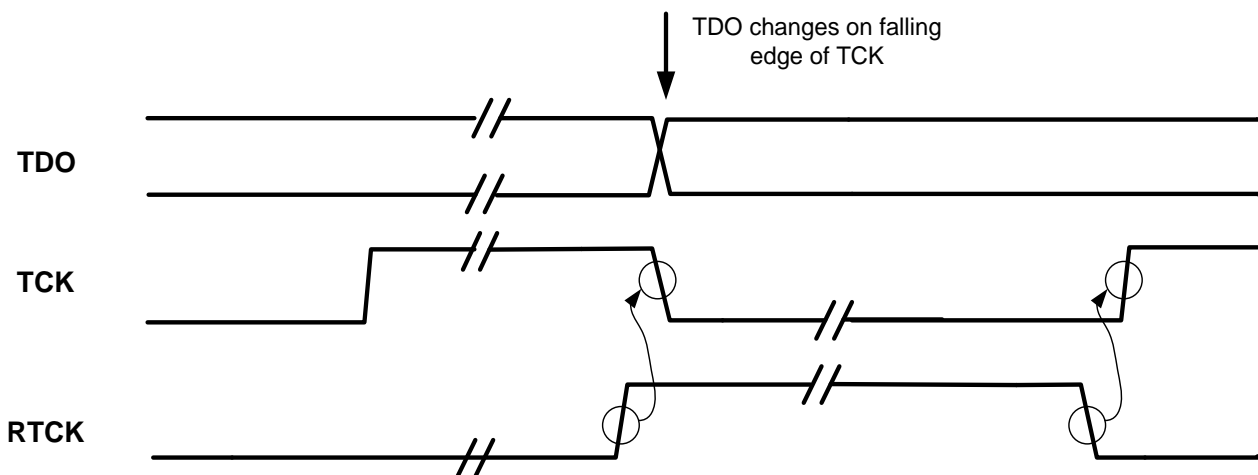
Adaptive clocking is a new MPSSE feature added to the FT4232HA MPSSE engine.

The mode is effectively handshaking the CLK signal with a return clock RTCK. This is a technique used by ARM processors.

The FT4232HA will assert the CLK line and wait for the RTCK to be returned from the target device to GPIOL3 line before changing the TDO (data out line).



**Figure 4.5 Adaptive Clocking Interconnect**



**Figure 4.6: Adaptive Clocking waveform**

Adaptive clocking is not enabled by default.

See: [AN108 - Command Processor For MPSSE and MCU Host Bus Emulation Modes.](#)

## 4.5 Synchronous & Asynchronous Bit-Bang Interface Mode Desc.

The FT4232HA channel A, B, C or channel D can be configured as a bit-bang interface. There are two types of bit-bang modes: synchronous and asynchronous.

### 4.5.1 Asynchronous Bit-Bang Mode

On any channel configured in asynchronous bit-bang mode, data written to the device in the normal manner will be self-clocked onto the parallel I/O data pins (those which have been configured as outputs). Each I/O pin can be independently set as an input or an output. The rate that the data is clocked out at is controlled by the baud rate generator.

For the data to change there has to be new data written, and the baud rate clock has to tick. If no new data is written to the channel, the pins will hold the last value written.

### 4.5.2 Synchronous Bit-Bang Mode

The synchronous Bit-Bang mode will only update the output parallel I/O port pins whenever data is sent from the USB interface to the parallel interface. When this is done, data is read from the USB Rx FIFO buffer and written out on the pins. Data can only be received from the parallel pins (to the USB Tx FIFO interface) when the parallel interface has been written to.

With Synchronous Bit-Bang mode, data will only be sent out by the FT4232HA if there is space in the FT4232HA USB TXFIFO for data to be read from the parallel interface pins. This Synchronous Bit-Bang mode will read the data bus parallel I/O pins first, before it transmits data from the USB RxFIFO. It is therefore 1 byte behind the output, and so to read the inputs for the byte that you have just sent, another byte must be sent.

For example:-

(1) Pins start at 0xFF  
Send 0x55,0xAA  
Pins go to 0x55 and then to 0xAA  
Data read = 0xFF,0x55

(2) Pins start at 0xFF  
Send 0x55,0xAA,0xAA  
(repeat the last byte sent)  
Pins go to 0x55 and then to 0xAA  
Data read = 0xFF,0x55,0xAA

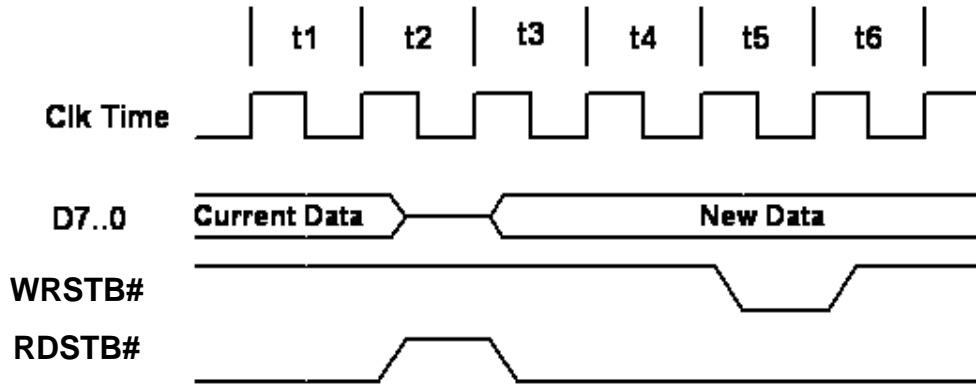
Synchronous Bit-Bang Mode differs from Asynchronous Bit-Bang mode in that the device parallel output is only read when the parallel output is written to by the USB interface. This makes it easier for the controlling program to measure the response to a USB output stimulus as the data returned to the USB interface is synchronous to the output data.

Asynchronous Bit-Bang mode is enabled using Set Bit Bang Mode driver command. A hex value of 1 will enable Asynchronous Bit-Bang mode.

Synchronous Bit-Bang mode is enabled using Set Bit Bang Mode driver command. A hex value of 4 will enable Synchronous Bit-Bang mode.

See application note [AN2232-02, "Bit Mode Functions for the FT2232"](#) for more details and examples of using the bit-bang modes.

An example of the synchronous bi-bang mode timing is shown in **Figure 4.7** and **Table 4-2**.



**Figure 4.7 Synchronous Bit-Bang Mode Timing Interface Example**

It should be noted that the FT4232HA does not output the WRSTB# or RDSTB# signals when configured in bit-bang mode. **Figure 4.7** and **Table 4-2** show these signals for **illustration** purposes only.

NAME	Description
t1	Current pin state is read
t2	RDSTB# is set inactive and data on the parallel I/O pins is read and sent to the USB host.
t3	RDSTB# is set active again, and any pins that are output will change to their new data
t4	1 clock cycle to allow for data setup
t5	WRSTB# goes active. This indicates that the host PC has written new data to the I/O parallel data
t6	WRSTB# goes inactive

**Table 4-2 Synchronous Bit-Bang Mode Timing Interface Example Timings**

WRSTB# = this output indicates when new data has been written to the I/O pins from the Host PC (via the USB interface).

RDSTB# = this output rising edge indicates when data has been read from the I/O pins and sent to the Host PC (via the USB interface).

## 4.6 FT4232HA Mode Selection

The 4 channels of the FT4232HA reset to 4 asynchronous serial UART interfaces. Following a reset, the required mode can be configured by sending the **FT\_SetBitMode** command (refer to [D2XX Programmers Guide](#)) to the USB driver software.

The EEPROM contents have no effect on the selected mode with the exception of selecting the TXDEN for RS485 mode when asynchronous serial interface has been selected in software. If the device is reset, then the 4 channels must be reconfigured into the required mode.

Note that the mode of each of the 4 channels is independent of the other channels.

The MPSSE can be configured directly using the D2XX commands. Refer to [D2XX Programmers Guide](#) for more details.

Also the MPSSE command set is fully described in application note [AN108 - Command Processor For MPSSE and MCU Host Bus Emulation Modes](#)

## 5 Devices Characteristics and Ratings

### 5.1 Absolute Maximum Ratings

The absolute maximum ratings for the FT4232HA devices are as follows. These are in accordance with the Absolute Maximum Rating System (IEC 60134). Exceeding these values may cause permanent damage to the device.

Parameter	Value	Unit
Storage Temperature	-65°C to 150°C	Degrees C
Floor Life (Out of Bag) At Factory Ambient (30°C / 60% Relative Humidity)	168 Hours (IPC/JEDEC J-STD-033A MSL Level 3 Compliant)*	Hours
Ambient Operating Temperature (Power Applied)	-40°C to 105°C	Degrees C
MTTF FT4232HAQ	TBD	hours
VCORE Supply Voltage	-0.3 to +2.0	V
VCCIO IO Voltage	-0.3 to +4.0	V
DC Input Voltage – USBDP and USBDM	-0.5 to +3.63	V
DC Input Voltage – High Impedance Bi-directional (powered from VCCIO)	-0.3 to +5.8	V
DC Input Voltage – All Other Inputs	-0.5 to + (VCCIO +0.5)	V
DC Output Current – Outputs	16	mA

**Table 5-1 Absolute Maximum Ratings**

\* If devices are stored out of the packaging beyond this time limit the devices should be baked before use. The devices should be ramped up to a temperature of +125°C and baked for up to 17 hours.

### 5.2 DC Characteristics

DC Characteristics (Ambient Temperature = -40°C to +105°C)

Parameter	Description	Minimum	Typical	Maximum	Units	Conditions
VCORE	VCC Core Operating Supply Voltage	1.08	1.20	1.32	V	
VCCIO*	VCCIO Operating Supply Voltage	2.97	3.30	3.63	V	Cells are 5V tolerant
VREGIN	VREGIN Voltage regulator Input	3.00	3.30	3.60	V	
VREGOUT	Voltage regulator Output	1.08	1.2	1.32	V	
I total	Total Current Draw					After enumeration has completed
Ireg	Regulator Current	---	26.6	150	mA	VREGIN +3.3V HS data transfers active on all 4 channels (UART @12Mbps).
Icc1	Core Operating Supply Current	---	23.8	---	mA	VCORE = +1.2V Powered and enumerated state (no data transfers)
Icc1	Core Operating Supply Current	---	25	---	mA	VCORE = +1.2V HS data transfers active on all 4 channels (UART @12Mbps).
Icc1r	Core Reset Supply Current	---	177	---	µA	VCORE = +1.2V Device in reset state.
Icc1s	Core Suspend Supply Current	---	174	---	µA	VCORE = +1.2V USB Suspend

**Table 5-2 Operating Voltage and Current**

**Note:** Failure to connect all VCCIO pins will result in failure of the device. The I/O pins are +3.3V cells, which are +5V tolerant (except the USB PHY pins).

Parameter	Description	Minimum	Typical	Maximum	Units	Conditions
Voh	Output Voltage High	2.40	3.26		V	Ioh = +/-2mA I/O Drive strength* = 4mA
			3.28		V	I/O Drive strength* = 8mA
			3.285		V	I/O Drive strength* = 12mA
			3.29		V	I/O Drive strength* = 16mA
Vol	Output Voltage Low		0.1	0.40	V	Iol = +/-2mA I/O Drive strength* = 4mA
			0.05		V	I/O Drive strength* = 8mA
			0.04		V	I/O Drive strength* = 12mA
			0.03		V	I/O Drive strength* = 16mA
Vil	Input low Switching Threshold		-	0.80	V	LVTTL
Vih	Input High Switching Threshold	2.0	-		V	LVTTL
Vt	Switching Threshold		1.50		V	LVTTL
Vt-	Schmitt trigger negative going threshold voltage	0.80	1.10	-	V	
Vt+	Schmitt trigger positive going threshold voltage		1.60	2.0	V	
Rpu	Input pull-up resistance**	40	75	190	KΩ	Vin = 0
Rpd	Input pull-down resistance	40	75	190	KΩ	Vin =VCCIO
Iin	Input Leakage Current	15	45	85	μA	Vin = 0
Ioz	Tri-state output leakage current		+/-10		μA	Vin = 5.5V or 0

**Table 5-3 I/O Pin Characteristics (except USB PHY pins)**

\*The I/O drive strength and slow slew-rate are configurable in the EEPROM.

\*\*The voltage pulled up to is VCCIO-0.9V in the worst case.

DC Characteristics (Ambient Temperature = -40°C to +105°C)

Parameter	Description	Minimum	Typical	Maximum	Units	Conditions
VPHY, VPLL	PHY Operating Supply Voltage	3.0	3.3	3.6	V	3.3V I/O
Iccphy	PHY Operating Supply Current	---	16	60	mA	High-speed operation at 480 MHz
Iccphy (susp)	PHY Operating Supply Current	---	162	2000	μA	USB Suspend

**Table 5-4 PHY Operating Voltage and Current**

Parameter	Description	Minimum	Typical	Maximum	Units	Conditions
USB2.0 Transceiver (HS)						

Parameter	Description	Minimum	Typical	Maximum	Units	Conditions
VHSOI	High-speed idle level output voltage (Differential)	-10		10	mV	
VHSOL	High-speed low level output voltage (Differential)	-10		10	mV	
VHSOH	High-speed high level output voltage (Differential)	-360	-	400	mV	
VCHIRPJ	Chirp-J output voltage (Differential)	700	-	1100	mV	
VCHIRPK	Chirp-K output voltage (Differential)	-900		-500	mV	
USB 1.1 Transceiver (FS)						
VOL	Low-level output voltage	0		0.3	V	
VOH	High-level output voltage	2.8		3.6	V	

**Table 5-5 Phy I/O Pin Characteristics**

### 5.3 ESD Tolerance

ESD protection for FT4232HA IO's

Parameter	Reference	Minimum	Typical	Maximum	Units
Human Body Model (HBM)	AEC - Q100-002, ANSI/ESDA/JEDEC JS-001 Class 2		±2kV		kV
Machine Mode (MM)*	JEDEC EIA/JESD22-A115-C, Class B		±200V		V
Charge Device Model (CDM)	AEC - Q100-011, ANSI/ESDA/JEDEC JS-002, JEDEC JESD22-C101-D Class-III		±500V		V
Latch-up	AEC - Q100-004, JEDEC STANDARD EIA/JESD78, Trigger Class-II		±200mA		mA

**Table 5-6 ESD Tolerance**

**\*Note:** AEC-Q100-003: MACHINE MODEL (MM) ELECTROSTATIC DISCHARGE (ESD) TEST (DECOMMISSIONED)

### 5.4 Thermal Characteristics

Parameter	Minimum	Typical	Maximum	Units
$\theta_{JA}$ (FT4232HAQ)		26.9		°C/W
$\theta_{JC}$ (FT4232HAQ)		8.2		°C/W
$T_J$ (FT4232HAQ)	-40	25	125	°C

**Table 5-7 Thermal Characteristics**

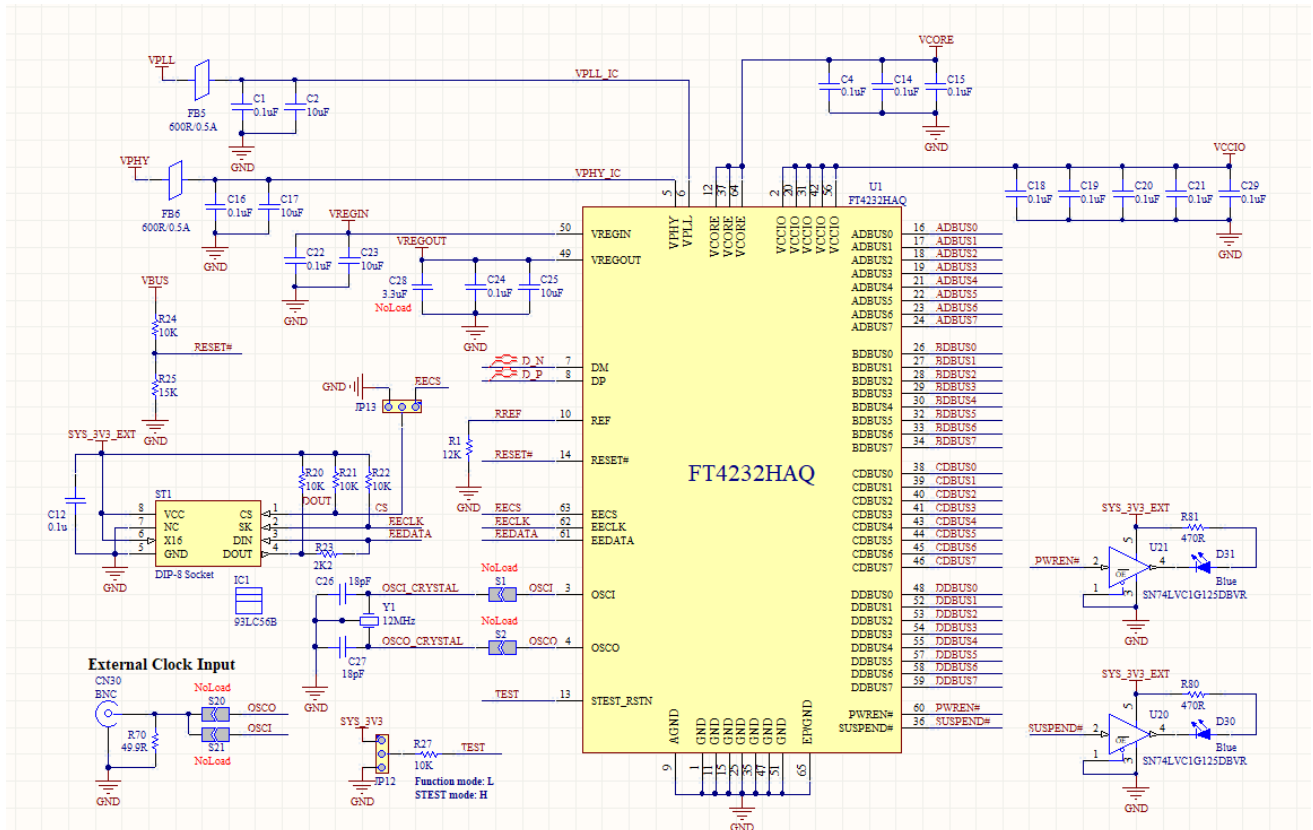


## 6 FT4232HA Configurations

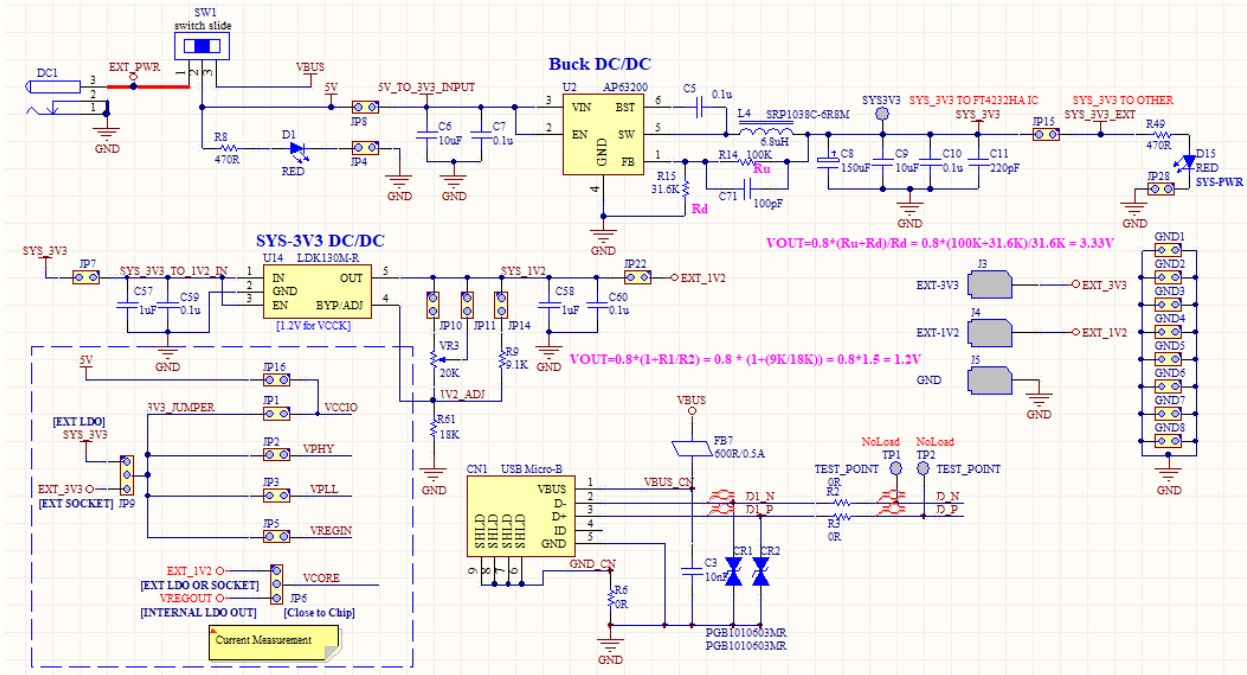
The following sections illustrate possible USB power configurations for the FT4232HA.

### 6.1 USB Bus Powered Configuration

Figure 6.1 and Figure 6.2 illustrate the FT4232HA USB power design configurations. The power can be configured as bus-power or self-power. A USB bus powered device gets its power from the USB bus. In this application, the FT4232HA requires that the VBUS (USB +5V) is regulated down to +3.3V (using a Buck DCDC) to supply the VCCIO, VPLL, VPHY and VREGIN.



**Figure 6.1 Power Configuration 1**



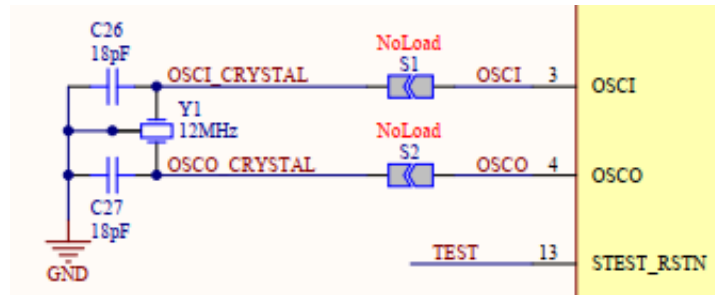
**Figure 6.2 Power Configuration 2**

VREGIN is the +3.3V input to the on chip +1.2V regulator. The output of the on chip LDO regulator (+1.2V) drives the FT4232HA core supply (VCCORE). Alternately, there is also additional 1.2V LDO voltage regulator for VCCORE above.

## 6.2 USB Self Powered Configuration

Based on Figure 6.1 and Figure 6.2, the power also can be configured as self-Powered application by setting the switch slide to position 1-2. A USB self-powered device gets its power from its own power supply and does not draw current from the USB bus. In this application an external power supply is used. This external supply is regulated to +3.3V. Similarly, there is also the +1.2V for the FT4232HA core that has been regulated from the external power supply. Note that in this set-up, the EEPROM should be configured for self-powered operation.

### 6.3 Oscillator Configuration



**Figure 6.3 Recommended FT4232HA Crystal Oscillator Configuration.**

Figure 6.3 illustrates how to connect the FT4232HA with a 12MHz ± 0.003% crystal. In this case loading capacitors should be added between OSCI, OSCO and GND as shown. A value of 18pF is shown as the capacitor in the example – this will be good for many crystals but it is recommended to select the loading capacitor value based on the manufacturer’s recommendations wherever possible. It is recommended to use a parallel cut type crystal.

It is also possible to use a 12 MHz oscillator with the FT4232HA. In this case the output of the oscillator would drive OSCI, and OSCO should be left unconnected. The oscillator must have a CMOS output drive capability.

Item / Type	7B	7B(T)
Frequency Tolerance (at 25 °C)	± 30 ppm	± 10 ppm
Frequency Stability Over Operating Temperature Range	± 30 ppm	± 10 ppm
Shunt Capacitance (C0)	5 pF Max. (2 pF typical)	
Drive Level	1 ~ 200 μW (100 μW typical)	
Load Capacitance	10 pF, 16 pF, 20 pF, or specify	6 pF, 9 pF, 10 pF, 12 pF, 16 pF

**Table 6-1 Crystal characteristics**

## 6.4 4 Channel Transmit and Receiver LED Indication Example

Figure 6.4 illustrates how a 74HC595-Q100 can be used to decode the EEDATA data to indicate Tx and Rx on each of the channels. The associated LED will light when the Channel is transmitting or receiving data.

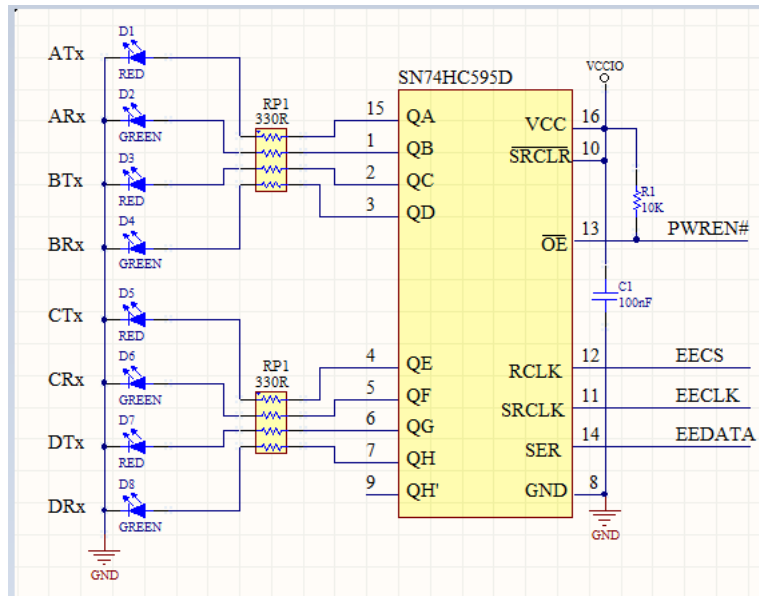


Figure 6.4 Using 74HC595 to Indicate Tx and Rx Data

In this configuration, the LEDs will flash when the EEPROM is accessed e.g. during enumeration.

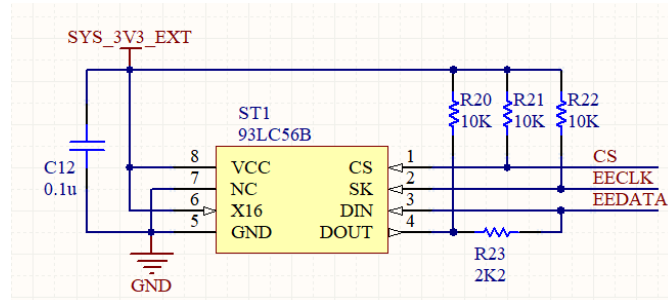
Under normal operation, the EECS is held low to disable access to the EEPROM. In this special case, the EECLK (frequency = 1.56μs) will clock the EEDATA into the 74HC595 shift register (with EECS low, therefore EEPROM ignores the EEDATA). Then EECS will pulse high. The rising edge of the EECS latches the data into a storage register of the 74HC595 which drives the LEDs.

Please refer to the [74HC595-Q100 datasheet](#) for further explanation.

## 7 EEPROM Configuration

If an external EEPROM is fitted (93LC46B/56B/66B) it can be programmed over USB using [FT\\_PROG](#). The EEPROM must be 16 bits wide and capable of working at a VCC supply of +3.0 to +3.6 volts.

Adding an external EEPROM allows selecting the TXDEN for RS485 mode when asynchronous serial interface has been selected.



**Figure 7.1 EEPROM Interface**

The external EEPROM can also be used to customise the USB VID, PID, Serial Number, Product Description Strings and Power Descriptor value of the FT4232HA for OEM applications. Other parameters controlled by the EEPROM include Remote Wake Up, Soft Pull Down on Power-Off, I/O pin drive strength and TXDEN selection.

If no EEPROM is connected (or the EEPROM is blank), the FT4232HA uses its built-in default VID (0403), PID (6048) Product Description and Power Descriptor Value. In this case, the device will not have a serial number as part of the USB descriptor.

### 7.1 Default EEPROM Configuration

The external EEPROM (if it's fitted) can be programmed over USB using [FT\\_PROG](#). This allows a blank part to be soldered onto the PCB and programmed as part of the manufacturing and test process. Users who do not have their own USB Vendor ID but who would like to use a unique Product ID in their design can apply to FTDI for a free block of unique PIDs.

See [TN\\_100 USB Vendor ID/Product ID Guidelines](#) for more information.

Parameter	Value	Notes
USB Vendor ID (VID)	0403h	FTDI default VID (hex)
USB Product UD (PID)	6048h	FTDI default PID (hex)
bcd Device	0x3600	
Serial Number Enabled?	Yes	
Serial Number	None	
Pull down I/O Pins in USB Suspend	Disabled	Enabling this option will make the device pull down on the UART interface lines when in USB suspend mode (PWREN# is high).
Manufacturer Name	FTDI	
Product Description	FT4232HA	
Max Bus Power Current	500mA	
Power Source	Bus Powered	
Device Type	FT4232HA	
USB Version	0200h	Returns USB 2.0 device description to the host.
Remote Wake Up	Disabled	Taking RI# low will wake up the USB host controller from suspend in approximately 20 ms. If enabled.
RI RS485	Disabled	Enables TXDEN signal for RS485 buses.
High Current I/Os	Disabled	Enables the high drive level on the UART and ACBUS I/O pins.
IO Slew	Disabled	Slow slew rate if enabled
Schmitt Trigger for Input pin	Normal trigger	Schmitt trigger for input pin if enabled



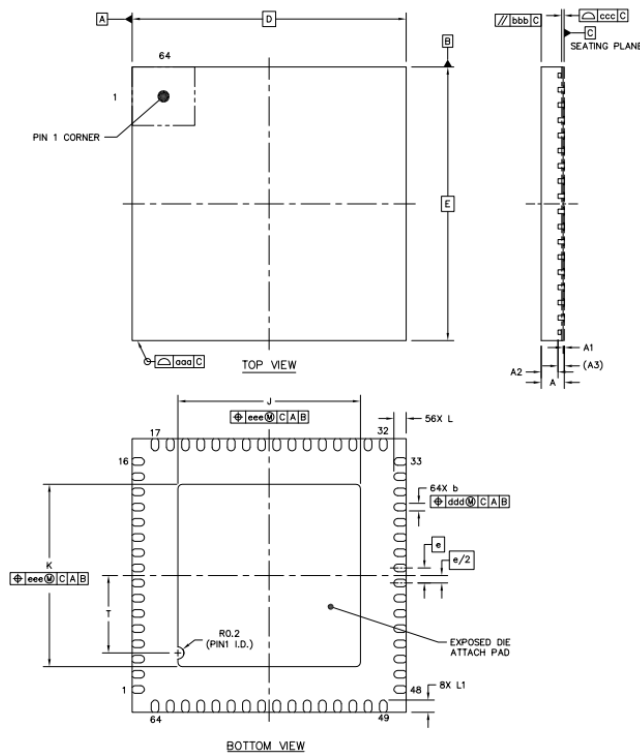
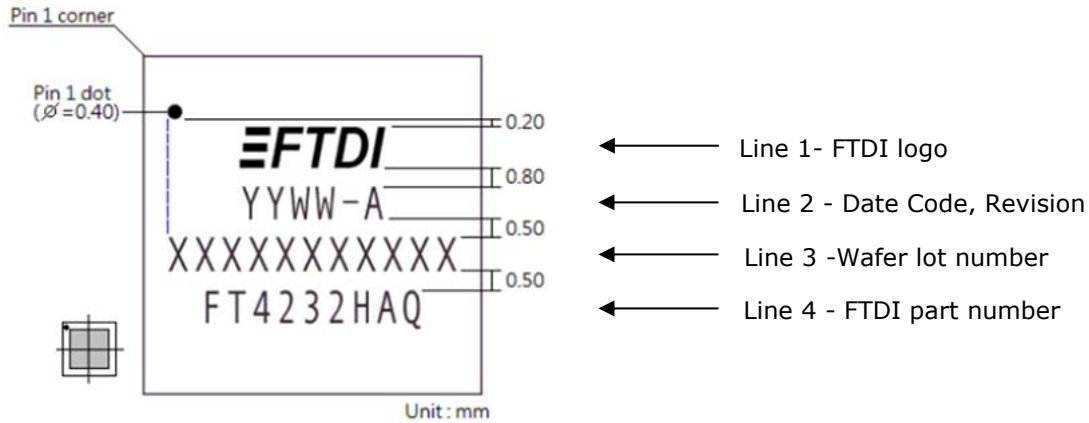
<b>Parameter</b>	<b>Value</b>	<b>Notes</b>
Load VCP Driver	Enabled	Makes the device load the VCP driver interface for the device.

**Table 7-1 Default Configuration with a blank/no EEPROM**

## 8 Package Parameters

The FT4232HA is available in QFN-64 package option. The solder reflow profile is described in Section 0. Refer to TN\_166 [FTDI Example IC Footprints](#) for PCB footprint guidelines.

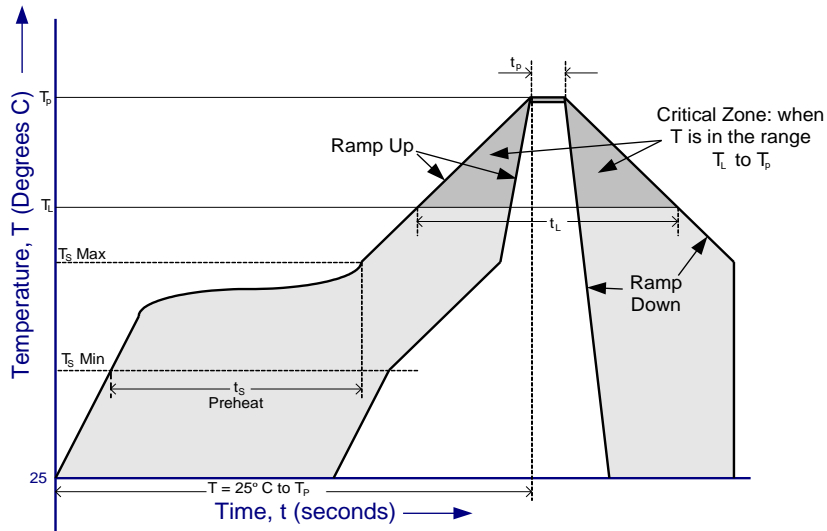
### 8.1 FT4232HAQ, QFN-64 Package Details



	SYMBOL	MIN	NOM	MAX	
TOTAL THICKNESS	A	0.7	0.75	0.8	
STAND OFF	A1	0	0.035	0.05	
MOLD THICKNESS	A2	---	0.55	---	
L/F THICKNESS	A3		0.203 REF		
LEAD WIDTH	b	0.2	0.25	0.3	
BODY SIZE	X	D		9 BSC	
	Y	E		9 BSC	
LEAD PITCH	e		0.5 BSC		
EP SIZE	X	J	5.9	6	6.1
	Y	K	5.9	6	6.1
LEAD LENGTH	L	0.35	0.4	0.45	
	L1	0.3	0.4	0.45	
	T	2.45	2.55	2.65	
PACKAGE EDGE TOLERANCE	aaa		0.1		
MOLD FLATNESS	bbb		0.1		
COPLANARITY	ccc		0.08		
LEAD OFFSET	ddd		0.1		
EXPOSED PAD OFFSET	eee		0.1		

NOTES  
1.0 COPLANARITY APPLIES TO LEADS, CORNER LEADS AND DIE ATTACH PAD.  
2.0 TOTAL THICKNESS NOT INCLUDE SAW BURR.

## 8.2 Solder Reflow Profile



**Figure 8.1 FT4232HA Solder Reflow Profile**

Profile Feature	Pb Free Solder Process (green material)	SnPb Eutectic and Pb free (non green material) Solder Process
Average Ramp Up Rate (T <sub>s</sub> to T <sub>p</sub> )	3°C / second Max.	3°C / Second Max.
Preheat - Temperature Min (T <sub>s</sub> Min.) - Temperature Max (T <sub>s</sub> Max.) - Time (t <sub>s</sub> Min to t <sub>s</sub> Max)	150°C 200°C 60 to 120 seconds	100°C 150°C 60 to 120 seconds
Time Maintained Above Critical Temperature T <sub>L</sub> : - Temperature (T <sub>L</sub> ) - Time (t <sub>L</sub> )	217°C 60 to 150 seconds	183°C 60 to 150 seconds
Peak Temperature (T <sub>p</sub> )	260°C	see Table 8-2
Time within 5°C of actual Peak Temperature (t <sub>p</sub> )	30 to 40 seconds	20 to 40 seconds
Ramp Down Rate	6°C / second Max.	6°C / second Max.
Time for T= 25°C to Peak Temperature, T <sub>p</sub>	8 minutes Max.	6 minutes Max.

**Table 8-1 Reflow Profile Parameter Values**

SnPb Eutectic and Pb free (non green material)		
Package Thickness	Volume mm3 < 350	Volume mm3 >=350
< 2.5 mm	235 +5/-0 deg C	220 +5/-0 deg C
≥ 2.5 mm	220 +5/-0 deg C	220 +5/-0 deg C
<b>Pb Free (green material) = 260 +5/-0 deg C</b>		

**Table 8-2 Package Reflow Peak Temperature**



## 9 Contact Information

### Head Office – Glasgow, UK

Future Technology Devices International Limited  
Unit 1, 2 Seaward Place, Centurion Business Park  
Glasgow G41 1HH  
United Kingdom  
Tel: +44 (0) 141 429 2777  
Fax: +44 (0) 141 429 2758

E-mail (Sales) [sales1@ftdichip.com](mailto:sales1@ftdichip.com)  
E-mail (Support) [support1@ftdichip.com](mailto:support1@ftdichip.com)  
E-mail (General Enquiries) [admin1@ftdichip.com](mailto:admin1@ftdichip.com)

### Branch Office – Tigard, Oregon, USA

Future Technology Devices International Limited (USA)  
7130 SW Fir Loop  
Tigard, OR 97223-8160  
USA  
Tel: +1 (503) 547 0988  
Fax: +1 (503) 547 0987

E-mail (Sales) [us.sales@ftdichip.com](mailto:us.sales@ftdichip.com)  
E-mail (Support) [us.support@ftdichip.com](mailto:us.support@ftdichip.com)  
E-mail (General Enquiries) [us.admin@ftdichip.com](mailto:us.admin@ftdichip.com)

### Branch Office – Taipei, Taiwan

Future Technology Devices International Limited (Taiwan)  
2F, No. 516, Sec. 1, NeiHu Road  
Taipei 114  
Taiwan, R.O.C.  
Tel: +886 (0) 2 8797 1330  
Fax: +886 (0) 2 8751 9737

E-mail (Sales) [tw.sales1@ftdichip.com](mailto:tw.sales1@ftdichip.com)  
E-mail (Support) [tw.support1@ftdichip.com](mailto:tw.support1@ftdichip.com)  
E-mail (General Enquiries) [tw.admin1@ftdichip.com](mailto:tw.admin1@ftdichip.com)

### Branch Office – Shanghai, China

Future Technology Devices International Limited (China)  
Room 1103, No. 666 West Huaihai Road,  
Shanghai, 200052  
China  
Tel: +86 21 62351596  
Fax: +86 21 62351595

E-mail (Sales) [cn.sales@ftdichip.com](mailto:cn.sales@ftdichip.com)  
E-mail (Support) [cn.support@ftdichip.com](mailto:cn.support@ftdichip.com)  
E-mail (General Enquiries) [cn.admin@ftdichip.com](mailto:cn.admin@ftdichip.com)

### Web Site

<http://ftdichip.com>

### Distributor and Sales Representatives

Please visit the Sales Network page of the [FTDI Web site](#) for the contact details of our distributor(s) and sales representative(s) in your country.

System and equipment manufacturers and designers are responsible to ensure that their systems, and any Future Technology Devices International Ltd (FTDI) devices incorporated in their systems, meet all applicable safety, regulatory and system-level performance requirements. All application-related information in this document (including application descriptions, suggested FTDI devices and other materials) is provided for reference only. While FTDI has taken care to assure it is accurate, this information is subject to customer confirmation, and FTDI disclaims all liability for system designs and for any applications assistance provided by FTDI. Use of FTDI devices in life support and/or safety applications is entirely at the user's risk, and the user agrees to defend, indemnify and hold harmless FTDI from any and all damages, claims, suits or expense resulting from such use. This document is subject to change without notice. No freedom to use patents or other intellectual property rights is implied by the publication of this document. Neither the whole nor any part of the information contained in, or the product described in this document, may be adapted or reproduced in any material or electronic form without the prior written consent of the copyright holder. Future Technology Devices International Ltd, Unit 1, 2 Seaward Place, Centurion Business Park, Glasgow G41 1HH, United Kingdom. Scotland Registered Company Number: SC136640

## Appendix A – References

### Document References

[AN\\_177 User Guide For libMPSSE-I2C](#)

[AN\\_178 User Guide For libMPSSE-SPI](#)

[AN\\_113, "Interfacing FT2232H Hi-Speed Devices To I2C Bus](#)

[AN114 – "Interfacing FT2232H Hi-Speed Devices To SPI Bus](#)

[AN135 – MPSSE Basics](#)

[AN108 - Command Processor For MPSSE and MCU Host Bus Emulation Modes](#)

[TN\\_104, "Guide to Debugging Customers Failed Driver Installation](#)

[TN\\_100 USB Vendor ID/Product ID Guidelines](#)

[TN\\_166 FTDI Example IC Footprints](#)

[AN2232-02, "Bit Mode Functions for the FT2232](#)

[74HCT595-Q100 datasheet](#)

[FT\\_PROG](#) EEPROM Programming Utility

### Acronyms and Abbreviations

Terms	Description
CDM	Charge Device Model
CMOS	Complementary Metal Oxide Semiconductor
ESD	Electrostatic Discharge
EHCI	Extensible Host Controller Interface
EEPROM	Electrically Erasable Programmable Read-Only Memory
FIFO	First In First Out
FPGA	Field-Programmable Gate Array
HBM	Human Body Model
IC	Integrated Circuit
I <sup>2</sup> C	Inter Integrated Circuit
JTAG	Joint Test Action Group
LDO	Low Drop Out
LED	Light Emitting Diode
LQFP	Low profile Quad Flat Package
MM	Machine Mode
MCU	Microcontroller Unit
MPSSE	Multi-Protocol Synchronous Serial Engine

OHCI	Open Host Controller Interface
PLD	Programmable Logic Device
QFN	Quad Flat No-Lead
SPI	Serial Peripheral Interface
USB	Universal Serial Bus
UART	Universal Asynchronous Receiver/Transmitter
UHCI	Universal Host Controller Interface
UTMI	Universal Transceiver Macrocell Interface
VCP	Virtual COM Ports

## Appendix B - List of Tables and Figures

### List of Tables

Table 3-1 FT4232HA Pin Configurations for 64-pin QFN package.....	8
Table 3-2 Power and Ground for 64-pin QFN package.....	9
Table 3-3 Common Function pins for 64-pin QFN Package.....	9
Table 3-4 EEPROM Interface Group for 64-pin QFN Package.....	9
Table 3-5 Channel A, B, C and D Asynchronous Serial Interface Configured Pin Descriptions .....	10
Table 3-6 Channel A, B, C & D Synchronous/Asynchronous Bit-Bang Configured Pin Descriptions .....	10
Table 3-7 Channel A and Channel B MPSSE Configured Pin Descriptions .....	11
Table 3-1 MPSSE Signal Timings.....	18
Table 3-2 Synchronous Bit-Bang Mode Timing Interface Example Timings.....	21
Table 5-1 Absolute Maximum Ratings.....	22
Table 5-2 Operating Voltage and Current.....	23
Table 5-3 I/O Pin Characteristics (except USB PHY pins).....	23
Table 5-4 PHY Operating Voltage and Current .....	23
Table 5-5 Phy I/O Pin Characteristics .....	24
Table 5-6 ESD Tolerance .....	24
Table 5-7 Thermal Characteristics.....	24
Table 6-1 Crystal characteristics .....	27
Table 7-1 Default Configuration with a blank/no EEPROM.....	30
Table 8-1 Reflow Profile Parameter Values .....	32
Table 8-2 Package Reflow Peak Temperature .....	32
Figure 0.1, added pin65 in GND (Table 0-1).....	39

### List of Figures

Figure 2.1 FT4232HA Block Diagram .....	4
Figure 3.1 FT4232HAQ Schematic Symbol .....	7
Figure 4.1 RS232 Configuration .....	15
Figure 4.2 Dual RS422 Configurations .....	16
Figure 4.3 Dual RS485 Configurations .....	17
Figure 4.4 MPSSE Signal Waveforms .....	18
Figure 4.5 Adaptive Clocking Interconnect .....	19
Figure 4.6: Adaptive Clocking waveform .....	19
Figure 4.7 Synchronous Bit-Bang Mode Timing Interface Example .....	21
Figure 6.1 Power Configuration 1 .....	25
Figure 6.2 Power Configuration 2 .....	26
Figure 6.3 Recommended FT4232HA Crystal Oscillator Configuration. ....	27
Figure 6.4 Using 74HC595 to Indicate Tx and Rx Data.....	28
Figure 7.1 EEPROM Interface.....	29
Figure 8.1 FT4232HA Solder Reflow Profile.....	32
Figure 0.1, added pin65 in GND (Table 0-1).....	39
Figure 0.2, added pin57 in GND (Table 0.9) .....	39



---

Figure 0.1, Figure 0.3, Figure 0.3, Figure 6.1, ..... 39

## Appendix C - Revision History

Document Title: FT4232HA Datasheet  
Document Reference No.: FT\_001497  
Clearance No.: FTDI#560  
Product Page: [https://ftdichip.com/product-category/products/ic/?series\\_products=51](https://ftdichip.com/product-category/products/ic/?series_products=51)  
Document Feedback: [Send Feedback](#)

Revision	Changes	Date
1.0	Initial Release	19-03-2021
1.1	Updated Release (In section 1.3 Complaint ID updated and QFN54 package removed); All 56Q references removed.	14-03-2022

## X-ON Electronics

Largest Supplier of Electrical and Electronic Components

*Click to view similar products for [USB Interface IC](#) category:*

*Click to view products by [FTDI](#) manufacturer:*

Other Similar products are found below :

[CY7C69356-48LTXC](#) [USB3319C-GJ-TR](#) [USB3370B-EZK-TR](#) [CYPD2120-24LQXI](#) [CYPD2122-20FNXIT](#) [CYPD2122-24LQXIT](#) [LIF-UC120-SWG36ITR50](#) [UPD360-B/6HX](#) [UPD360-A/6HX](#) [CP2102NP1174GM](#) [CG8454AM](#) [PTN3816EWY](#) [UPD720211K8-711-BAL-A](#) [CY7C68034-56LTXC](#) [TUSB213IRGYT](#) [TUSB213RGYT](#) [USB2517I-JZX-TR](#) [USB3503T-I/ML](#) [CY7C63310-SXC](#) [USB3316C-CP-TR](#) [USB3250-ABZJ](#) [USB2422T/MJ](#) [FT220XS-R](#) [MAX3107ETG+](#) [NCP360SNT1G](#) [MAX14632EZK+T](#) [LAN9512-JZX](#) [CYPD2120-24LQXIT](#) [USB5906/KD](#) [USB5916/KD](#) [VNC2-32L1C-TRAY](#) [TUSB215QRGYTQ1](#) [NB7NPQ701MMTTBG](#) [FUSB302B10MPX](#) [TUSB213RGYR](#) [CP2112-F03-GM](#) [TUSB214RWBR](#) [TUSB212QRWBTQ1](#) [USB4640I-HZH-03](#) [CY7C64215-28PVXC](#) [CY7C68013A-128AXC](#) [CY7C68013A-56LTXI](#) [CY7C68013A-56PVXC](#) [CY7C68013A-56PVXI](#) [CYPD1120-40LQXI](#) [AP43771VDKZ-13](#) [AP43771VFBZ-13](#) [DIO32320MP10](#) [DIO32220MP10](#) [LAN9730I-ABZJ](#)