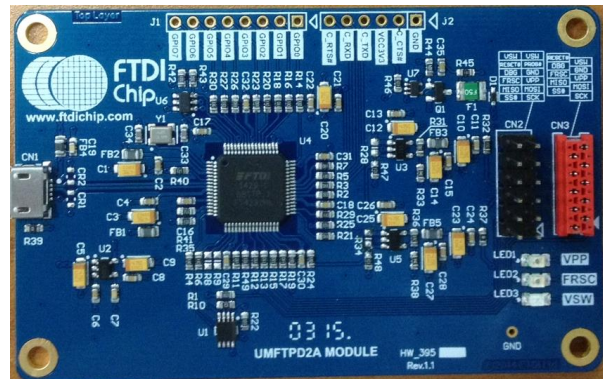


Future Technology Devices International

UMFTPD2A



UMFTPD2A is a module used for FT90x programming, debugging and EFUSE burning.

The UMFTPD2A is a module with an FT4232HL Hi-Speed USB2.0 to multipurpose UART/MPSSE converter. The UMFTPD2A module features a single line half-duplex UART signal with no handshake (One-Wire interface), one MPSSE interface, one UART interface and a Bit-Bang port.

The module has configured the FT4232HL Channel A as a UMFTPD2A one-wire interface for MM900EVxA evaluation board firmware / application download, or GDB debugging.

The FT4232HL Channel B is configured as a UMFTPD2A MPSSE interface with 4 GPIO control signals. This allows the UMFTPD2A to implement MM900EVxA evaluation board EFUSE program, or firmware / application upload as well.

The FT4232HL Channel C is optional. It is configured as a UART that can capture the messages from MM900EVxA evaluation board in software debugging.

The FT4232HL Channel D is reserved as a Bit-Bang interface for generic GPIO purposes.

The FT90x program utility can activate the required channels corresponding to the operations.

The UMFTPD2A has the following features:

- Hi-Speed USB to one-wire interface converter
- Hi-Speed USB to MPSSE interface converter
- Hi-Speed USB to UART interface converter
- Provides H/W Reset# signal
- Provide multiple generic GPIO control signals
- PWREN# line to control +5V power supply
- Fuse protected with 0.5A hold current and schottky diode on the output power line.
- Two dedicated GPIOs to control VPP and FRSC power supplies
- Three LEDs for power supply indication
- 2X5 way 1.27mm pitch Micro-MaTch socket
- 2X6 way 2.54mm pitch through hole pin header
- Micro-B type USB port
- Micro-MaTch Male to Male 10 pin ribbon cable
- All components used are Pb-free (RoHS compliant)

Neither the whole nor any part of the information contained in, or the product described in this manual, may be adapted or reproduced in any material or electronic form without the prior written consent of the copyright holder. This product and its documentation are supplied on an as-is basis and no warranty as to their suitability for any particular purpose is either made or implied. Future Technology Devices International Ltd will not accept any claim for damages howsoever arising as a result of use or failure of this product. Your statutory rights are not affected. This product or any variant of it is not intended for use in any medical appliance, device or system in which the failure of the product might reasonably be expected to result in personal injury. This document provides preliminary information that may be subject to change without notice. No freedom to use patents or other intellectual property rights is implied by the publication of this document. Future Technology Devices International Ltd, Unit1, 2 Seaward Place, Centurion Business Park, Glasgow, G41 1HH, United Kingdom. Scotland Registered Number: SC136640

Table of Contents

1	Driver Support	3
2	Programming Utility Support.....	3
3	Ordering Information	3
4	UMFTPD2A Signals	4
4.1	UMFTPD2A Pin Out.....	4
4.2	Signal Descriptions	5
5	Module Dimensions	7
6	UMFTPD2A Module Circuit Schematic	8
7	Hardware Setup Guide	10
7.1	Module Connect to PC	10
7.2	Module Connect to MM900EVx	10
7.3	FT900 Programming Utility	10
8	Contact Information.....	12
Appendix A – References		11
Document References		11
Acronyms and Abbreviations		11
Appendix B – List of Figures and Tables.....		12
List of Figures		12
List of Tables.....		12
Appendix C – Revision History		13

1 Driver Support

Royalty free D2XX Direct Drivers (USB Drivers + DLL S/W Interface)

- Windows 10 32, 64-bit
- Windows 8.1 32, 64-bit
- Windows 8 32, 64-bit
- Windows 7 32, 64-bit

The above listed drivers are all available for download from <http://www.ftdichip.com/FTDrivers.htm>.

For driver's installation, please refer to <http://www.ftdichip.com/Support/Documents/InstallGuides.htm>.

2 Programming Utility Support

The programming utility is provided as part of the free FT90x toolchain.

Visit FTDI's website at <http://www.ftdichip.com/Products/ICs/FT90x.html> for more information.

3 Ordering Information

Module Code	Description
UMFTPD2A	FTDI Programmer/Debugger Module

4 UMFTP2A Signals

4.1 UMFTP2A Pin Out

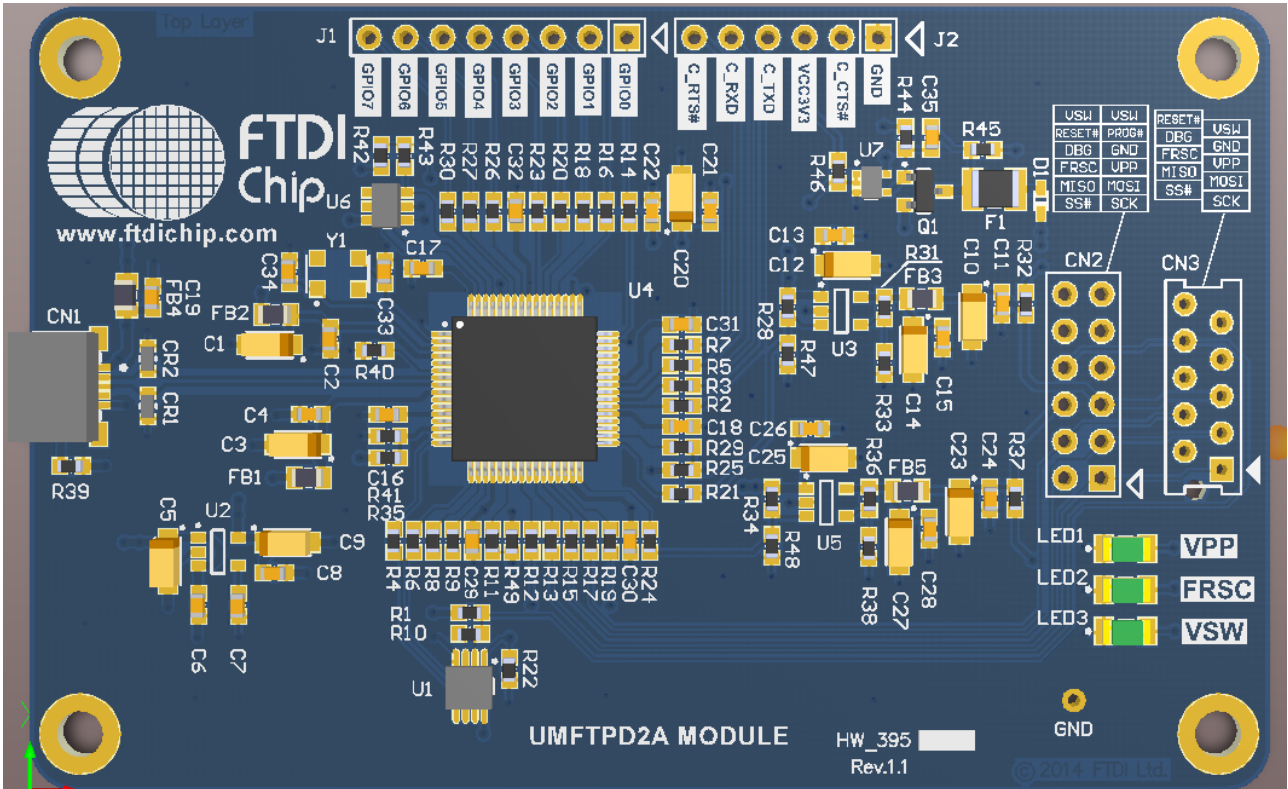


Figure 4.1 – UMFTP2A Module Pin Out

Figure 1 illustrates the signals available on J1, J2 pin header and CN2, CN3 connector of the UMFTP2A.

There are 3 LED indicators for the different power supplies.

LED1 is for the VPP power supply.

LED2 is for the FRSC power supply.

LED3 is for the VSW (+5V) power output.

LED1 and LED2 only will be turned on when the system is programming the FT90x chip EFUSE.

4.2 Signal Descriptions

Pin No.	Name	Type	Description
CN2-1	SCK	Signal output	Serial clock output for SPI.
CN2-2	SS#	Signal output	Slave select output for SPI.
CN2-3	MOSI	Signal Output	Master out slave in for SPI.
CN2-4	MISO	Signal input	Master in slave out for SPI.
CN2-5	VPP	Power Out	Typically +1.85V power output when adjustable LDO is enabled.
CN2-6	FRSC	Power Out	Typically +3.7V power output when adjustable LDO is enabled.
CN2-7	GND	Ground	0V Ground.
CN2-8	DBG	Signal Input/Output	One-wire debugger interface input/output.
CN2-9	PROG#	Signal Output	Feature reserved for future use.
CN2-10	RESET#	Signal Output	Active low reset output.
CN2-11	VSW	Power Out	+5V power output. Outputs the power source from the USB bus when the FT4232HL has enumerated.
CN2-12	VSW	Power Out	+5V power output. Outputs the power source from the USB bus when the FT4232HL has enumerated.

Table 1 - CN2 Connector Pin Out Description

Pin No.	Name	Type	Description
CN3-1	SCK	Signal Output	Serial clock output for SPI.
CN3-2	SS#	Signal Output	Slave select output for SPI.
CN3-3	MOSI	Signal Output	Master out slave in for SPI.
CN3-4	MISO	Signal Input	Master in slave out for SPI.
CN3-5	VPP	Power Out	Typically +1.85V power output when adjustable LDO is enabled.
CN3-6	FRSC	Power Out	Typically +3.7V power output when adjustable LDO is enabled.
CN3-7	GND	Ground	0V Ground.
CN3-8	DBG	Signal Input/Output	One-wire debugger interface input/output.
CN3-9	VSW	Power Out	+5V power output. Outputs the power source from the USB bus when the FT4232HL has enumerated.
CN3-10	RESET#	Signal Output	Active low reset output.

Table 2 - CN3 Connector Pin Out Description

Pin No.	Name	Type	Description
J1-0	GPIO0	Signal Input/Output	Generic GPIO pin 0
J1-1	GPIO1	Signal Input/Output	Generic GPIO pin 1
J1-2	GPIO2	Signal Input/Output	Generic GPIO pin 2
J1-3	GPIO3	Signal Input/Output	Generic GPIO pin 3
J1-4	GPIO4	Signal Input/Output	Generic GPIO pin 4
J1-5	GPIO5	Signal Input/Output	Generic GPIO pin 5
J1-6	GPIO6	Signal Input/Output	Generic GPIO pin 6
J1-7	GPIO7	Signal Input/Output	Generic GPIO pin 7

Table 3 - J1 Header Pin Out Description

Pin No.	Name	Type	Description
J2-1	GND	Ground	0V ground
J2-2	C_CTS#	Signal Input	Active low clear to send input for UART
J2-3	VCC3V3	Power out	+3.3V power output
J2-4	C_TXD	Signal Output	Active high transmitter output for UART
J2-5	C_RXD	Signal Input	Active high receiver input for UART
J2-6	C_RTS#	Signal Output	Active low request to send output for UART

Table 4 - J2 Header Pin Out Description

5 Module Dimensions

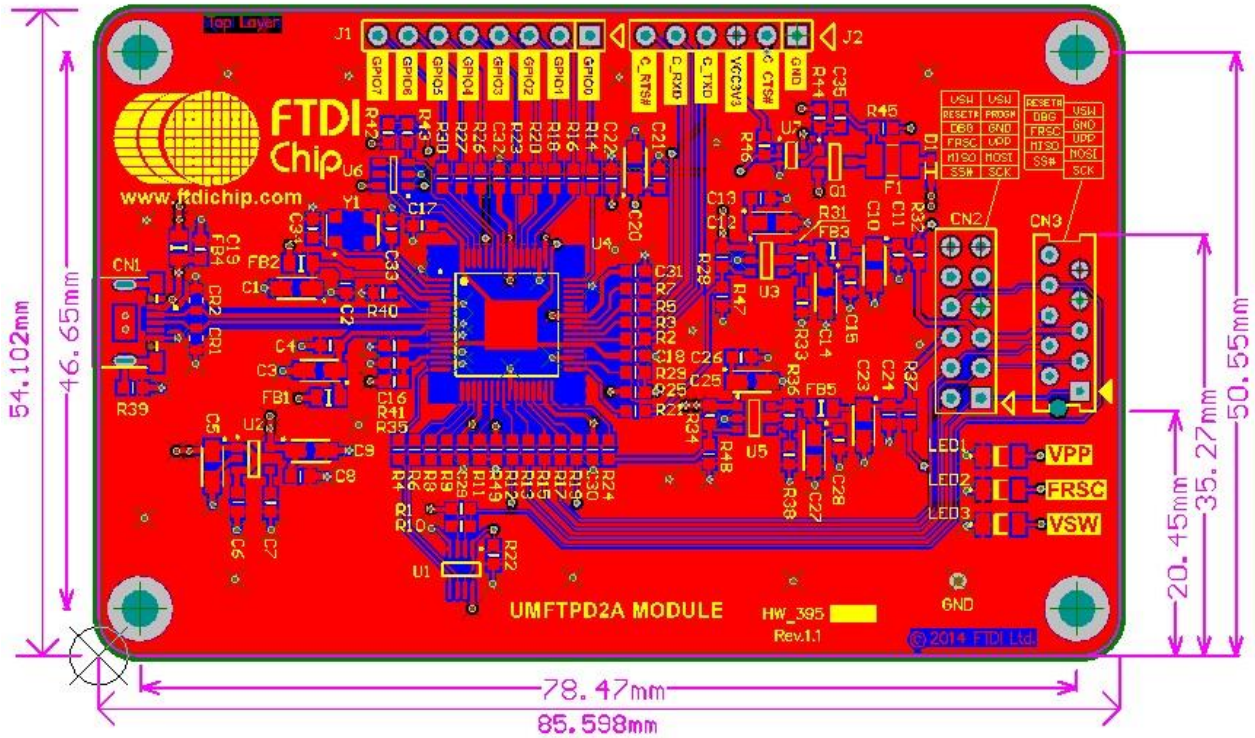


Figure 5.1 – UMFTP2A Module Dimensions

All dimensions are given in millimetres. Hole size diameter = 3.2mm.

The UMFTP2A module exclusively uses lead free components, and is fully compliant with European Union directive 2002/95/EC.

6 UMFTP2A Module Circuit Schematic

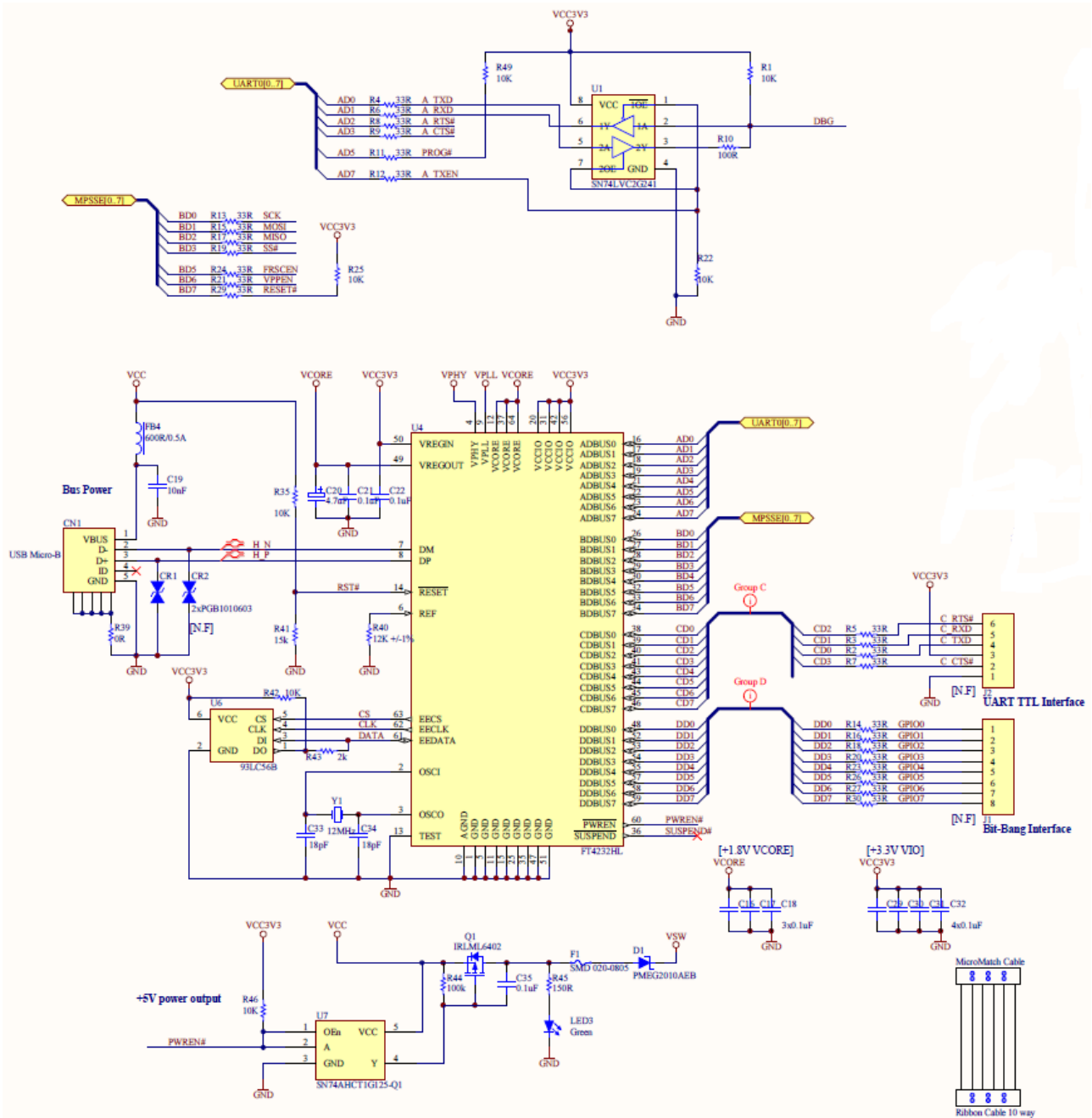


Figure 6.1 - Schematic part 1

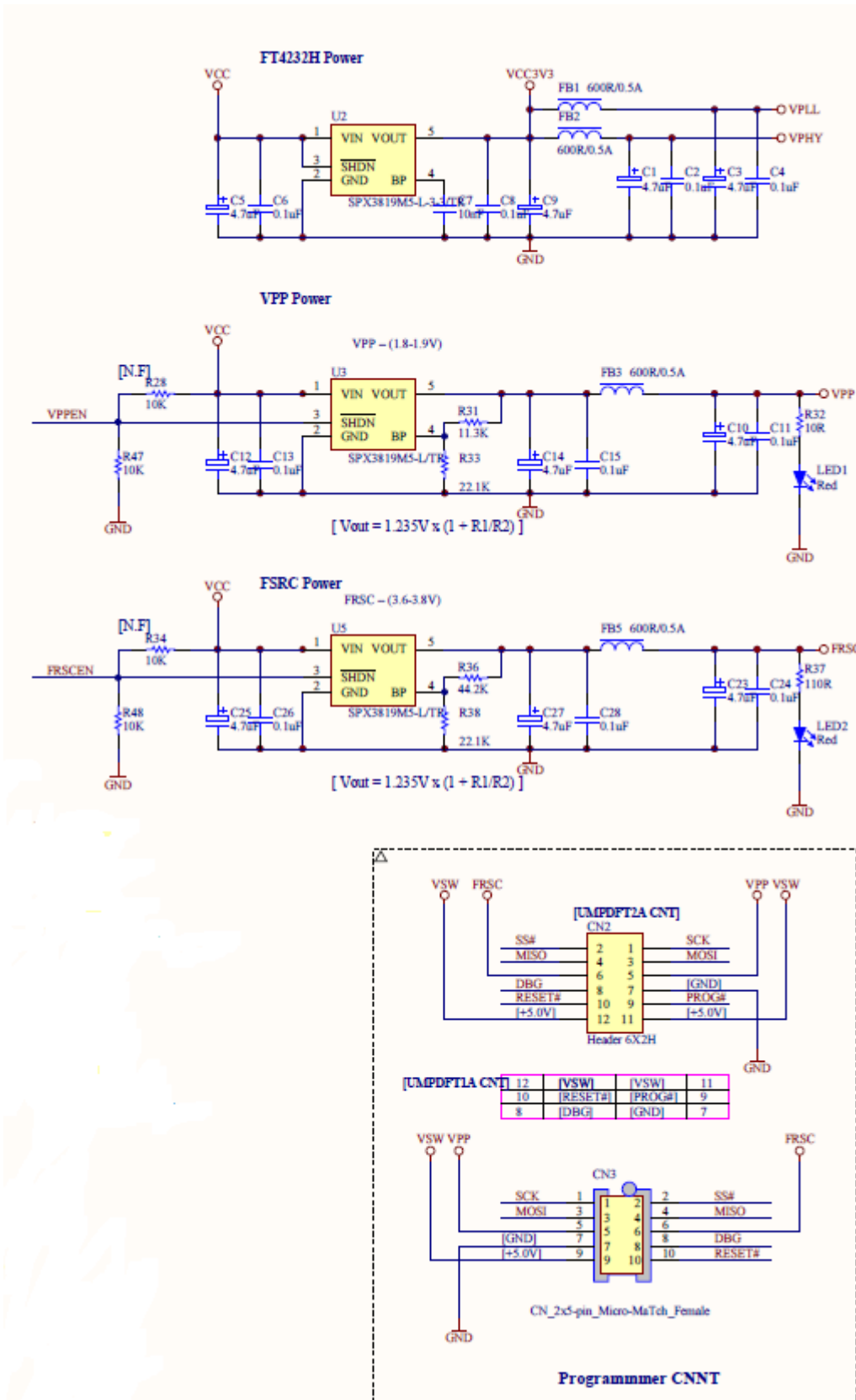


Figure 6.2 - Schematic part 1

7 Hardware Setup Guide

7.1 Module Connect to PC

The first time the UMFTPD2A module is connected to a Windows OS PC, the USB device drivers need to install. This should happen automatically if you are connected to a network but you can also download from the [FTDI Website](http://www.ftdichip.com).

Before the FT900 programming utility uses this module, make sure the D2xx device driver installation completes successfully.

7.2 Module Connect to MM900EVx

The UMFTPD2A module should be connected as shown in Figure 7.1 to the MM900EVxA modules.

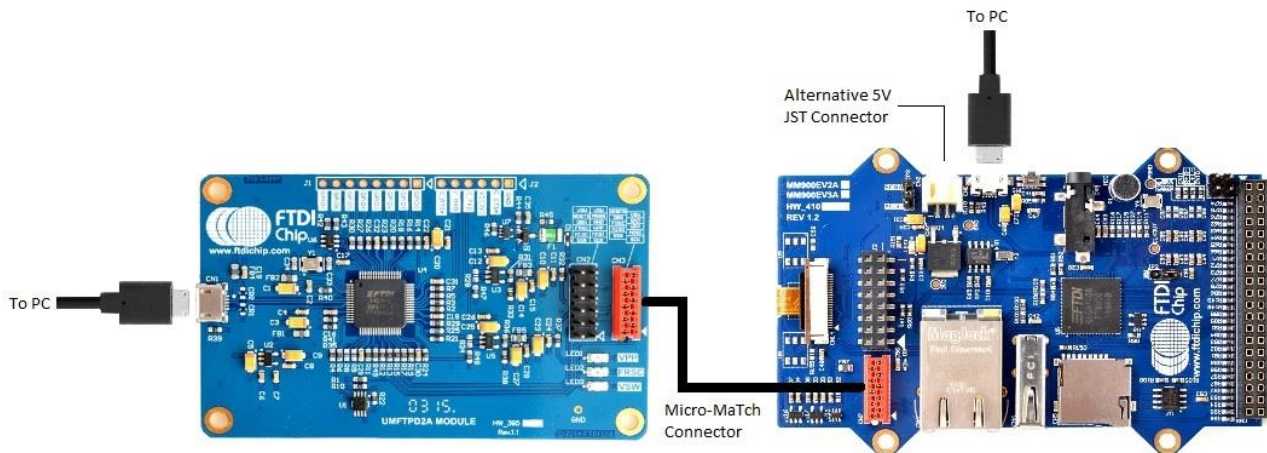


Figure 7.1 – FT90x System Connection

7.3 FT900 Programming Utility

Run the FT90x programming utility (Figure 7.2) to download firmware / application after the whole setup (Figure 7.3) is ready. Please refer to [AN_325 FT90X Toolchain Guide](#) for tool operation.

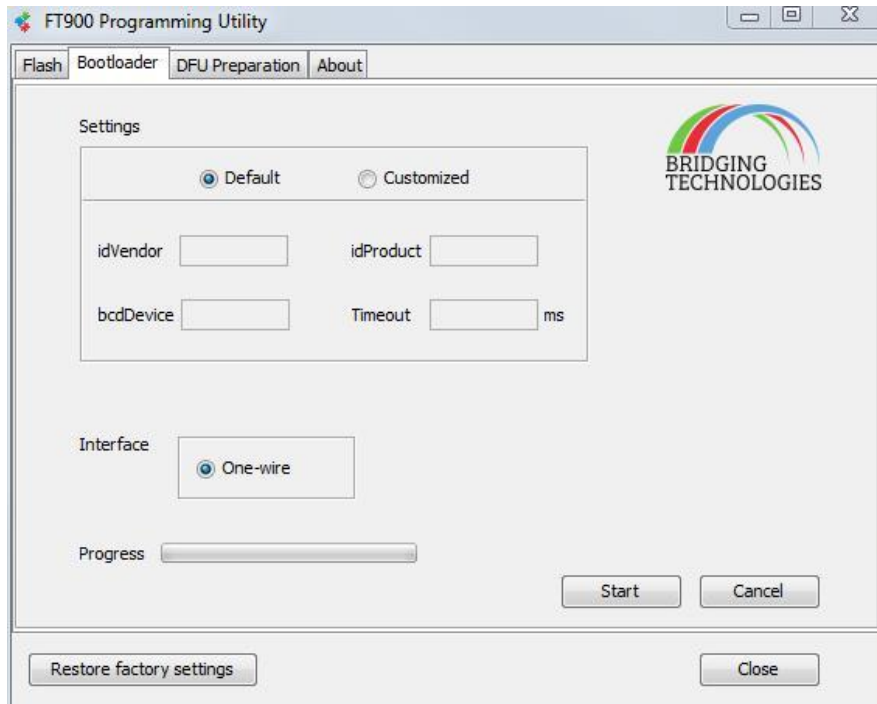


Figure 7.2 – FT90x Progammig Utility

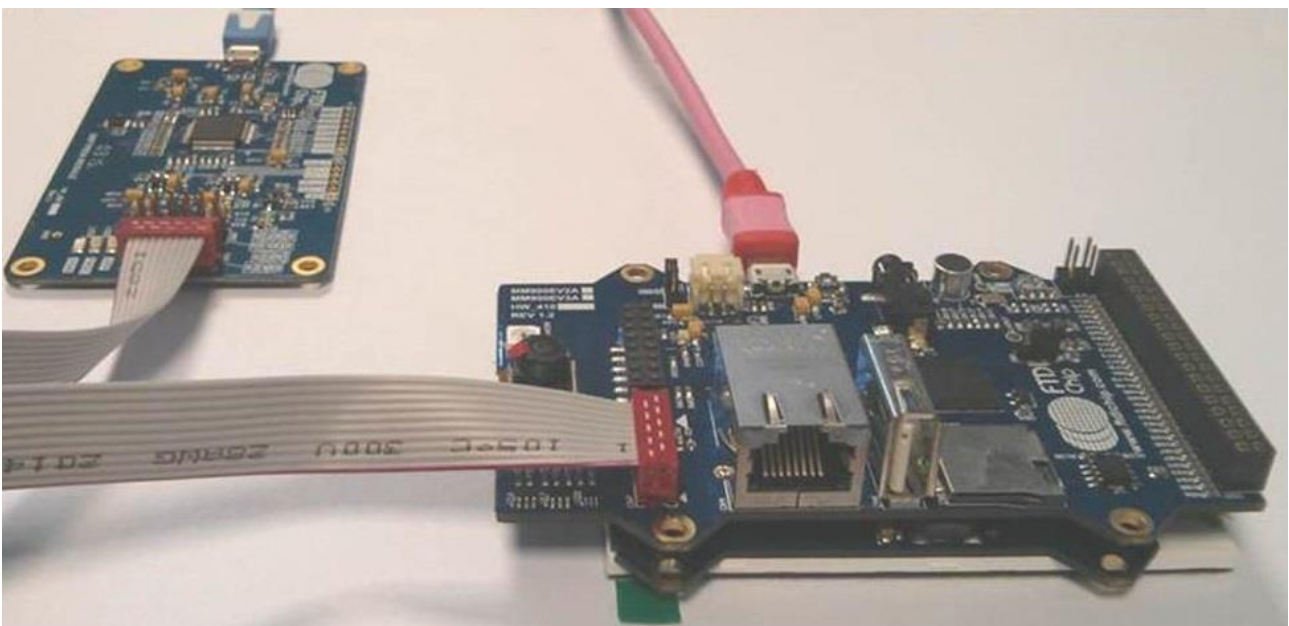


Figure 7.3 – MM900EVxA Module Connection

8 Contact Information

Head Quarters – Singapore

Bridgetek Pte Ltd
178 Paya Lebar Road, #07-03
Singapore 409030
Tel: +65 6547 4827
Fax: +65 6841 6071

E-mail (Sales) sales.apac@brtchip.com
E-mail (Support) support.apac@brtchip.com

Branch Office – Taipei, Taiwan

Bridgetek Pte Ltd, Taiwan Branch
2 Floor, No. 516, Sec. 1, Nei Hu Road, Nei Hu District
Taipei 114
Taiwan, R.O.C.
Tel: +886 (2) 8797 5691
Fax: +886 (2) 8751 9737

E-mail (Sales) sales.apac@brtchip.com
E-mail (Support) support.apac@brtchip.com

Branch Office - Glasgow, United Kingdom

Bridgetek Pte. Ltd.
Unit 1, 2 Seaward Place, Centurion Business Park
Glasgow G41 1HH
United Kingdom
Tel: +44 (0) 141 429 2777
Fax: +44 (0) 141 429 2758

E-mail (Sales) sales.emea@brtchip.com
E-mail (Support) support.emea@brtchip.com

Branch Office – Vietnam

Bridgetek VietNam Company Limited
Lutaco Tower Building, 5th Floor, 173A Nguyen Van
Troai,
Ward 11, Phu Nhuan District,
Ho Chi Minh City, Vietnam
Tel : 08 38453222
Fax : 08 38455222

E-mail (Sales) sales.apac@brtchip.com
E-mail (Support) support.apac@brtchip.com

Web Site

<http://brtchip.com/>

Distributor and Sales Representatives

Please visit the Sales Network page of the [Bridgetek Web site](#) for the contact details of our distributor(s) and sales representative(s) in your country.

System and equipment manufacturers and designers are responsible to ensure that their systems, and any Future Technology Devices International Ltd (FTDI) devices incorporated in their systems, meet all applicable safety, regulatory and system-level performance requirements. All application-related information in this document (including application descriptions, suggested FTDI devices and other materials) is provided for reference only. While FTDI has taken care to assure it is accurate, this information is subject to customer confirmation, and FTDI disclaims all liability for system designs and for any applications assistance provided by FTDI. Use of FTDI devices in life support and/or safety applications is entirely at the user's risk, and the user agrees to defend, indemnify and hold harmless FTDI from any and all damages, claims, suits or expense resulting from such use. This document is subject to change without notice. No freedom to use patents or other intellectual property rights is implied by the publication of this document. Neither the whole nor any part of the information contained in, or the product described in this document, may be adapted or reproduced in any material or electronic form without the prior written consent of the copyright holder. Future Technology Devices International Ltd, Unit 1, 2 Seaward Place, Centurion Business Park, Glasgow G41 1HH, United Kingdom. Scotland Registered Company Number: SC136640

Appendix A – References

Document References

FT90x datasheet: [FT900/FT901/FT902/FT903 Datasheet](#)

FT900 tool chain installation guide document: [AN_325 FT900 Tool Chain Installation Guide](#)

Acronyms and Abbreviations

Terms	Description
DLL	Dynamic Link Library
GPIO	General Purpose Input/Output
LED	Light Emitting Diode
MPSSE	Multi-Protocol Synchronous Serial Engine
OS	Operating System
PC	Personal Computer
RoHS	Restriction of Hazardous Substances
UART	Universal Asynchronous Receiver Transmitter
USB	Universal Serial Bus

Appendix B – List of Figures and Tables

List of Figures

Figure 4.1 – UMFTPD2A Module Pin Out	4
Figure 5.1 – UMFTPD2A Module Dimensions	7
Figure 6.1 - Schematic part 1	8
Figure 6.2 - Schematic part 1	9
Figure 7.1 – FT90x System Connection	10
Figure 7.2 – FT90x Progammig Utility	11
Figure 7.3 – MM900EVxA Module Connection.....	11

List of Tables

Table 1 - CN2 Connector Pin Out Description.....	5
Table 2 - CN3 Connector Pin Out Description.....	5
Table 3 - J1 Header Pin Out Description.....	6
Table 4 - J2 Header Pin Out Description.....	6

Appendix C – Revision History

Document Title : UMFTP2A Program Module
 Document Reference No. : BRT_000027
 Clearance No. : BRT#029
 Product Page : <http://brtchip.com/product>
 Document Feedback : [Send Feedback](#)

Revision	Changes	Date
1.0	Initial Release	2015-09-21
1.1	Updated schematic image	2015-09-30
1.2	Corrected the Typo Big Bang to Bit Bang on the Title page	2016-04-07
1.3	Dual branding to reflect the migration of the product to the Bridgetek name – logo changed, copyright changed, contact information changed	2016-09-16

Revision History

X-ON Electronics

Largest Supplier of Electrical and Electronic Components

Click to view similar products for [Programmiers - Processor Based](#) category:

Click to view products by [FTDI](#) manufacturer:

Other Similar products are found below :

[5.05.10 TPG100004](#) [X2S-FP-X](#) [APM32PROG](#) [ECC111429EU](#) [UMFTPD2A](#) [MIKROPROG FOR 8051](#) [JTAG HS2 PROGRAMMING CABLE](#) [JTAG-SMT2-NC SM PROGRAMMING MODULE](#) [MIKROPROG FOR AVR](#) [MIKROPROG FOR PIC,DSPIC AND PIC32](#) [MIKROPROG FOR STM32](#) [MIKROPROG FOR TIVA](#) [ZL20PRG](#) [AVR-ISP500-TINY](#) [GP-ARM](#) [DFR0116](#) [PGM-08702](#) [ACNPROG](#) [PGM-07834](#) [XUP USB-JTAG PROGRAMMING CABLE](#) [CK-USB-04A](#) [REVELPROG-IS](#) [FLASHPRO-2000-STD](#) [GANGPRO-ARM-1V](#) [CODEGRIP FOR ARM](#) [CODEGRIP FOR STM32](#) [CODEGRIP FOR TIVA](#) [FLASHPRO-430-CC](#) [FLASHPRO-430-LJ](#) [FLASHPRO-430-STD](#) [FLASHPRO-ARM\(X2S\)](#) [FLASHPRO-ARM-1V\(XS\)](#) [GANGPRO-430\(XS\)](#) [GANGPRO-ARM-1V\(XS\)](#) [AVR-ISP500-ISO](#) [AVR-JTAG-USB-A 462](#) [MIKROPROG FOR MSP432](#) [JTAG USB CABLE](#) [PROGRAMMER FOR CMT 2548 46](#) [VA800A-PROG](#) [CY8CKIT-005](#) [FlashPro-CC-STD](#) [FLASHPRO-X](#) [REP430F](#) [USB-MSP430-FPA-LJ](#) [JTAG-SMT3-NC PROGRAMMING MODULE](#)