

Gas Discharge Tube (GDT) Data Sheet

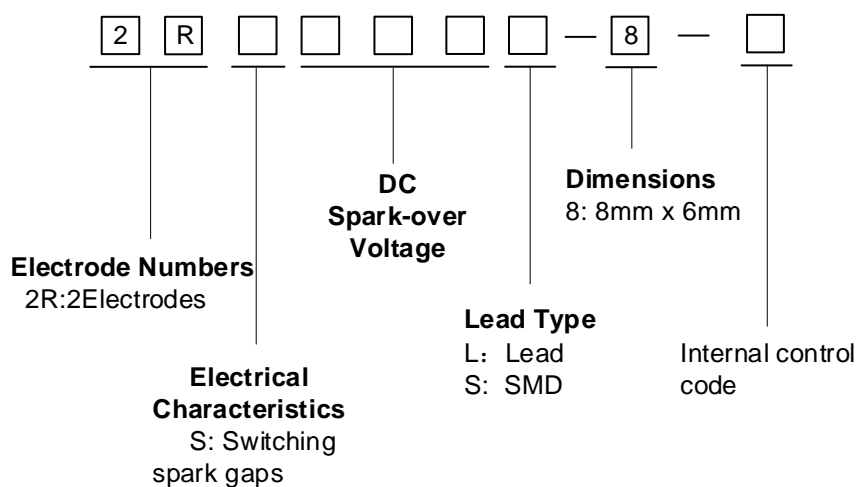
Features

- Provide ultra-fast response to surge voltage from slow-rising surge of 100V/s to rapid-rising surge of 1KV/μs
- Low capacitance (≤1.5pF)
- High holdover voltage
- Stable breakdown voltage
- Large absorbing transient current capability
- Surface mounted gas arrester
- Micro-Gap Design
- Operating and Storage Temperature : -40°C ~ +125°C
- Meets MSL Level 1, per J-STD-020

Applications

- Telephone Interface, Line cards
- Data communication equipment
- Line test equipment
- Repeaters, Modems

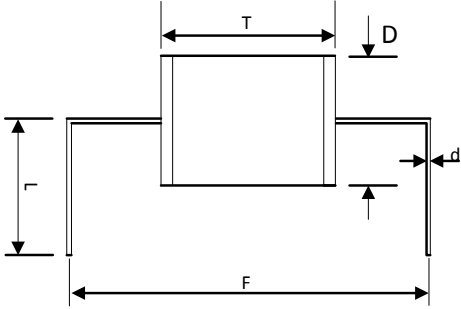
Part Number Code



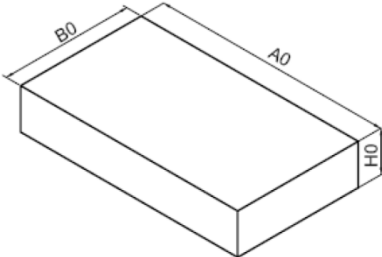
Electrical Characteristics

Part Number	DC Spark-over Voltage	Switching Operations @25° C	Test Voltage (v)	Minimum Insulation Resistance		Maximum Capacitance	Peak dischargecurrent (A)	Device Marking Code
	100V/S	Times		Test Voltage (GΩ)	(1MHz 1V)			
	(v)			DC(V)		(pF)		
2RS800L-8	800±20%	10 ⁵	1000	100	1	1.5	400	KG8 800

Dimensions

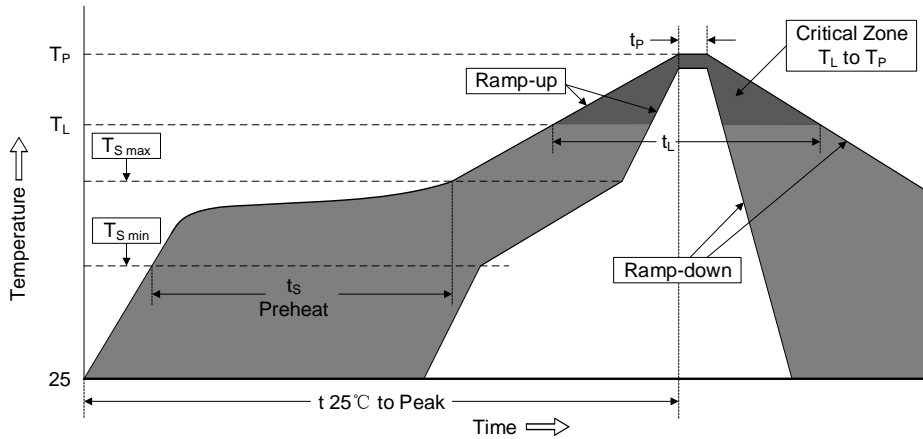
	Symbol	Dimension (mm)
	D	8.00±0.50
	T	6.00±0.50
	d	0.80±0.10
	L	8.00±1.00
	F	10.00±1.00

Packaging

	Symbol	Dimension (mm)
	A0	270 ± 2.0
	B0	150 ± 2.0
	H0	50 ± 2.0
		Quantity:1000pcs

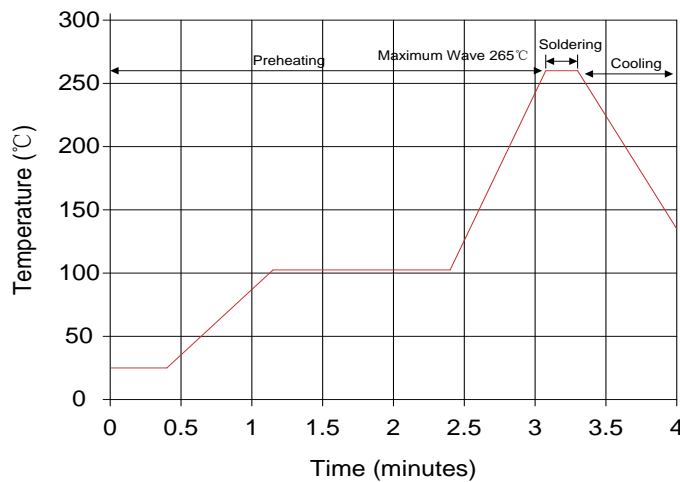
Soldering Recommendation

Reflow Soldering



Profile Feature	Pb-Free Assembly
Average ramp-up rate (T _L to T _P)	3°C/second max.
Preheat	
-Temperature Min (T _{S min})	150°C
-Temperature Max (T _{S max})	200°C
-Time (min to max)(t _s)	60-180 seconds
T _{S max} to T _L	
-Ramp-up Rate	3°C/second max.
Time maintained above:	
-Temperature (T _L)	217°C
-Time (t _L)	60-150 seconds
Peak Temperature (T _P)	260°C
Time within 5°C of actual Peak Temperature (t _p)	20-40 seconds
Ramp-down Rate	6°C/second max.
Time 25°C to Peak Temperature	8 minutes max.

Wave Soldering



Item	Conditions
Peak Temperature	265°C
Dipping Time	10 seconds(max.)
Soldering	1 time

X-ON Electronics

Largest Supplier of Electrical and Electronic Components

Click to view similar products for [Gas Discharge Tubes - GDTs / Gas Plasma Arrestors](#) category:

Click to view products by [FTR manufacturer](#):

Other Similar products are found below :

[PMT1023004](#) [PMT1025001](#) [PMT1035004](#) [PMT1040004](#) [PMT809006](#) [CG2250](#) [CG2800](#) [CG31.5L](#) [GTCR37-231M-R10](#) [GT-SMD181240012-TR](#) [WPGT-2N145B6L](#) [WPGT-2N230B6L](#) [WPGT-2N470B6L](#) [WPGT-2R470B6L](#) [WPGT-2RM230A6L](#) [WPGT-2RM350A6L](#) [WPGT-2RM70A6L](#) [WPGT-2RM90A6L](#) [WPGT-2S145](#) [WPGT-2S350](#) [WPGT-2S470](#) [WPGT-3R350CF](#) [WPGT-3R350G1](#) [WPGT-3R90G1](#) [WPGT-3R75G1](#) [WPGT-3R470G1](#) [WPGT-3R250C](#) [WPGT-3R230G1](#) [WPGT-2S230](#) [WPGT-2RM470A6L](#) [WPGT-2RM145A6L](#) [WPGT-2R3000B8L](#) [WPGT-2R2700B8L](#) [WPGT-2R1000B8L](#) [WPGT-2N90B6L](#) [WPGT-2N70B6L](#) [WPGT-2N350B6L](#) [WPGT-2N230B6L1](#) [CG90](#) [CG2230](#) [CG2145](#) [CG21000](#) [GT-SMD181215012-TR](#) [T61-C350X](#) [9071.99.0547 \(73_Z-0-0-547\)](#) [9071.99.0548 \(73_Z-0-0-548\)](#) [B88069X6940B152](#) [9071.99.0054](#) [B88069X1973T902](#) [V20-3+NPE+FS-280](#)