



ROHS

SPECIFICATION OF PRODUCT

承认书

CUSTOMER: _____
DESCRIPTION: Magnetic Buzzer
FUSHENG P/N: FMB12A24
CUSTOMER P/N: _____
DATE: 2018-8-28

| CUSTOMER | APPROVER | CHECKER |
|----------|------------|----------|
| | Yunqing Wu | Bing Yan |

地址:江苏省泰州市海陵区凤凰西路 168 号

电话: 0086-523-86219066 传真: 0086-523-81601108

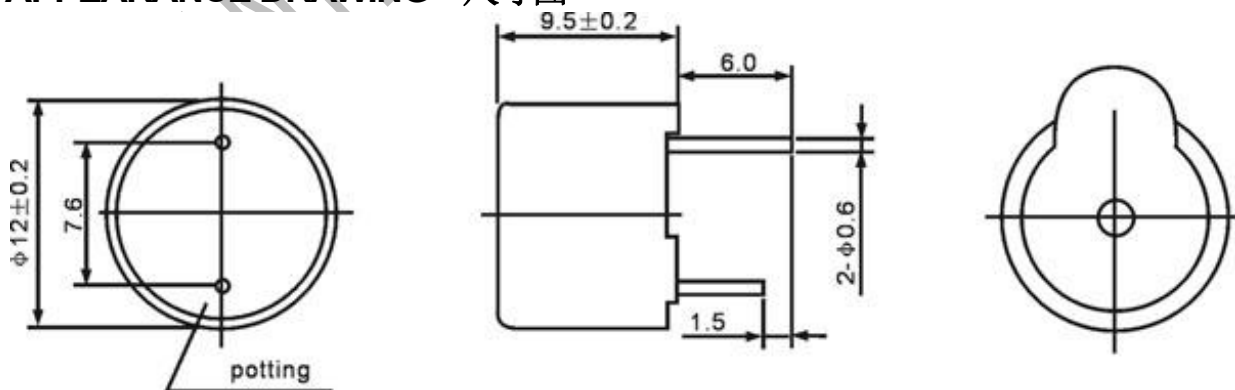
邮箱: sales@electronic-tech.cn

网址: www.tzfsdz.com

1.SPECIFICATION 规格

| No. | Item | Unit | Specification | Condition |
|-----|-------------------------------------|------|----------------------|--------------------------|
| 1 | Oscillation Frequency | Hz | 2700±300 | |
| 2 | Operating Voltage | VDC | 18-26 | |
| 3 | Rated Voltage | VDC | 24 | |
| 4 | Current Consumption | mA | MAX. 30 | at Rated Voltage |
| 5 | Sound Pressure Level | dB | MIN. 80 | at 10cm at Rated Voltage |
| 6 | Operating Temperature | °C | -20 ~ +70 | |
| 7 | Storage Temperature | °C | -30 ~ +80 | |
| 8 | Dimension | mm | 12 x H 9.5 | See appearance drawing |
| 9 | Weight (MAX) | gram | 1.8 | |
| 10 | Housing Material | | PBT(Black) | |
| 11 | Leading Pin | | Tin Plated Brass(Sn) | See appearance drawing |
| 12 | Environmental Protection Regulation | | RoHS | |

2. APPEARANCE DRAWING 尺寸图



Tol : ± 0.5 Unit: mm

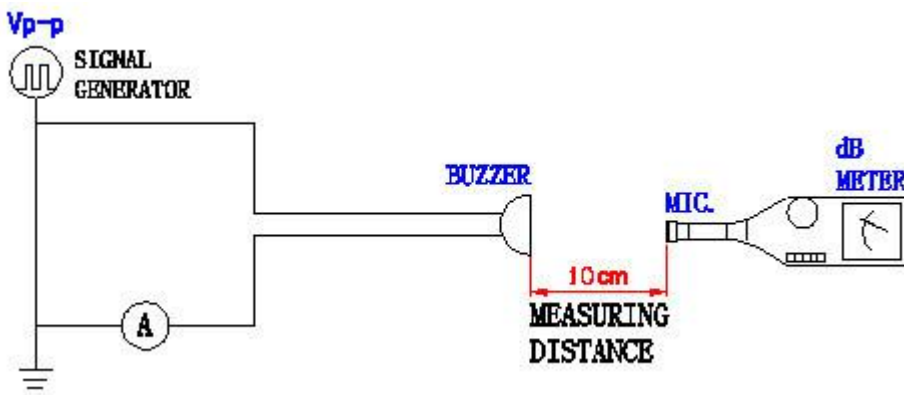
3. TESTING METHOD

Standard Measurement conditions

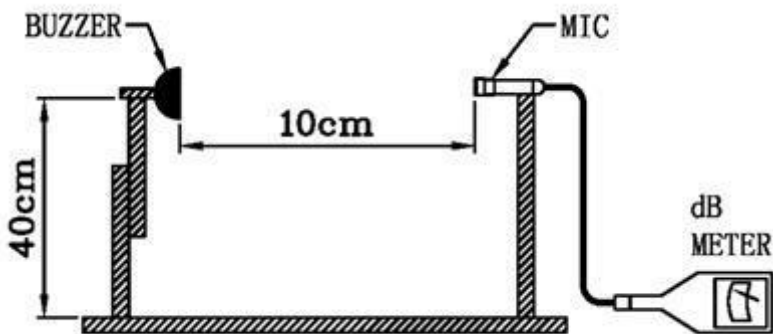
Temperature: $25 \pm 2^\circ\text{C}$ Humidity: 45-65%

Acoustic Characteristics:

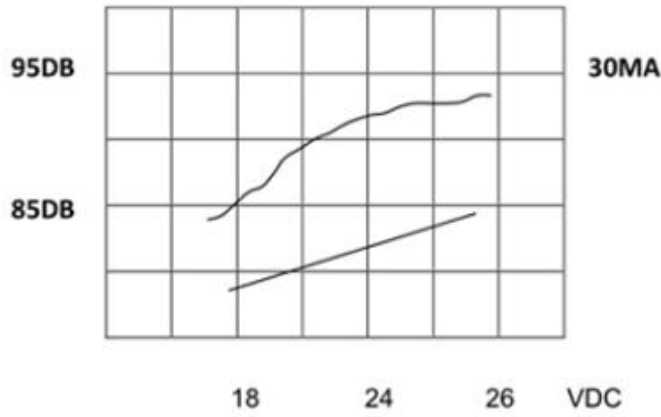
The oscillation frequency, current consumption and sound pressure are measured by the measuring instruments shown below



In the measuring test, buzzer is placed as follows:



4. VOLTAGE / CURRENT / SOUND PRESSURE CHARACTERISTICS



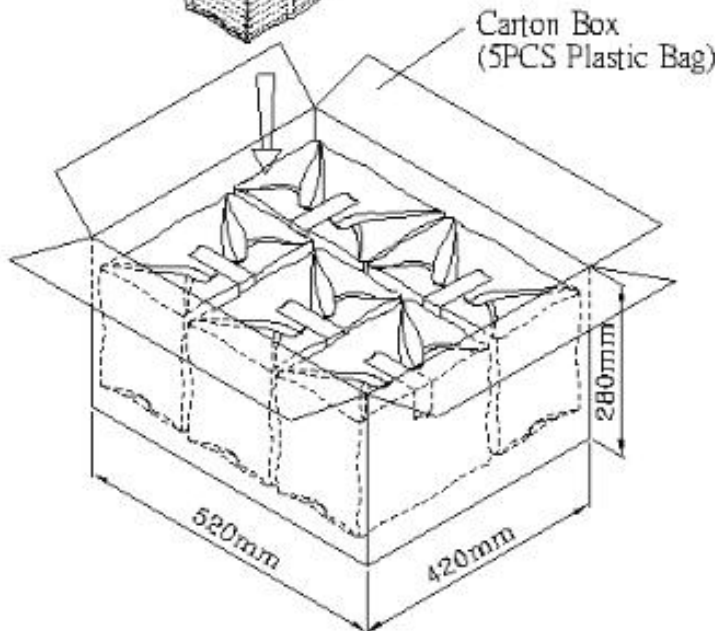
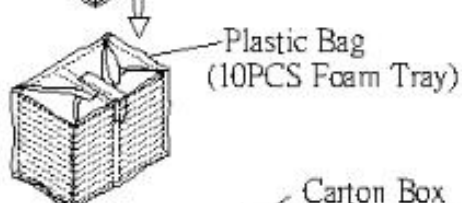
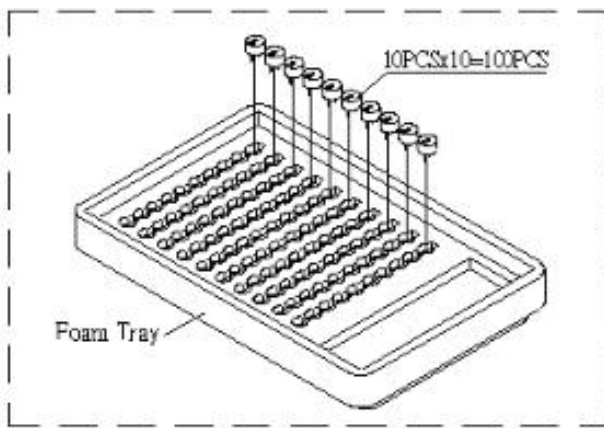
5. RELIABILITY TEST

| 项目 ITEM | 测试方法 TEST |
|---|---|
| 1 高温试验 High Temperature Test | 在+80°C±2°C储存温度下存放 96 小时，恢复 2 小时后测试 After being placed in a chamber with +80±2°C for 96 hours and then being placed in normal condition for 2 hours |
| 2 低温试验 Low Temperature Test | 在-20°C±2°C储存温度下存放 96 小时，恢复 2 小时后测试 After being placed in a chamber with -20±2°C for 96 hours and then being placed in normal condition for 2 hours |
| 3 恒定湿热试验 Humidity Test | |
| 4 温度变化试验 Temperature Cycle Test | |
| 5 振动试验 Vibration Test | |
| 6 跌落试验 Drop Test | 70cm 高自由掉落到 40mm 的木板上，每个方向三次 Drop on a hard wood board of 40mm thick, any directions, three times, at the height of 70cm |
| 7 插针的抗拉强度试验 Terminal Strength Pulling Test | 插针承受 1.0kg 拉力，负荷时间 5s The force 5 seconds of 1.0kg is applied to each terminal. |

| | |
|--------------------------------|---|
| 8 可焊性试验 Solder ability Test | 焊锡温度 $255 \pm 5^{\circ}\text{C}$ ，浸润时间为 $3 \pm 0.5\text{s}$ ，试验后目测产品情况 Lead terminals are immersed in rosin for 5 seconds and then immersed in solder bath of $255 \pm 5^{\circ}\text{C}$ for 3 ± 0.5 seconds. |
| 9 回流焊测试 Soldering Test | |

6. PACKING STANDARD 包装

泰州福声电子科技有限公司



| | | |
|-------------|-------------------|--------------------|
| Foam Tray | 240mmx160mmx30mm | 1x100PCS=100PCS |
| Plastic Bag | | 10x100PCS=1000PCS |
| Carton Box | 520mmx420mmx280mm | 5x1000PCS=5,000PCS |

福声公司

X-ON Electronics

Largest Supplier of Electrical and Electronic Components

Click to view similar products for [Piezo Buzzers & Audio Indicators](#) category:

Click to view products by [FUET](#) manufacturer:

Other Similar products are found below :

[6-4](#) [68S1240-PA](#) [ESZ-26B](#) [FDG06PSLLF](#) [F/DGX12P WITH LABEL LF](#) [PF-35N29WQ](#) [PFD-21A29W](#) [PFD-27A35PQ](#) [PL-21N30WQ](#) [PL-27A35PSQ](#) [PLD-21N30W](#) [PLD-21N30WQ](#) [PS-531Q](#) [PT-3534FP](#) [B822B](#) [B/CP28/100DB/BLACK LF](#) [S6109](#) [SC110E](#) [SC2036ACP](#) [SC616N-2](#) [SC628FW](#) [SC628MPG](#) [SC648D](#) [SCS045MD9DT3S](#) [ESZ-25B-5-250B](#) [ESZ-25S](#) [F/BC 35-DR LF](#) [FCM12PLF](#) [SSX-52SA](#) [F/EB20P-DR LF](#) [AI-4228-TF-LW305-R](#) [FSMD8585JSLF](#) [F/TCW 05 WITH LABEL LF](#) [PFD-27N36W](#) [PKM35-4A0](#) [PL-35N29WQ](#) [PLD-27A35PQ](#) [PS-552Q](#) [CM-5](#) [REF-202](#) [B/SE 128 RED LF](#) [KBS-20DA-7AS](#) [KBS-27DA-5C-105](#) [LSC628ANR](#) [03-810.001](#) [RTO-1R07-001](#) [PL-21N31PQ](#) [F-B-P1405ISB LF](#) [F/DGX 05P WITH LABEL LF](#) [MSR516NP](#)