

# SPECIFICATION FOR APPROVAL

## 规格书

Customer ( 客户名称 ): \_\_\_\_\_

Customer P/N(客户编号): \_\_\_\_\_

Our P/N (本厂编号): FS23DS0420-H10.2-P1.25-L60

Approval Date(日期): 2023.8.17

Environment Request(环境标准):

Non-RoHS (非 RoHS 标准)

RoHS (RoHS 标准)

REACH (REACH 标准)

Others (其他)

CUSTOMER'S APPROVED SIGNATURE



**福声科技**  
FUSHENG TECHNOLOGY

**泰州福声电子科技有限公司**

Taizhou Fusheng Electronic Technology Co.,Ltd.

Adds: No.98 of FengHuang Road West,Hailing District ,Taizhou .

地址：江苏省泰州市海陵区凤凰西路98号

Tel: +86-523-86219066

Fax: +86-523- 81601108

[Http://www.tzfsdz.com](http://www.tzfsdz.com)

E-mail: [sales@electronic-tech.cn](mailto:sales@electronic-tech.cn)

	DESINGER	CHECKED	APPROVED
SIGNATURE			
DATE			

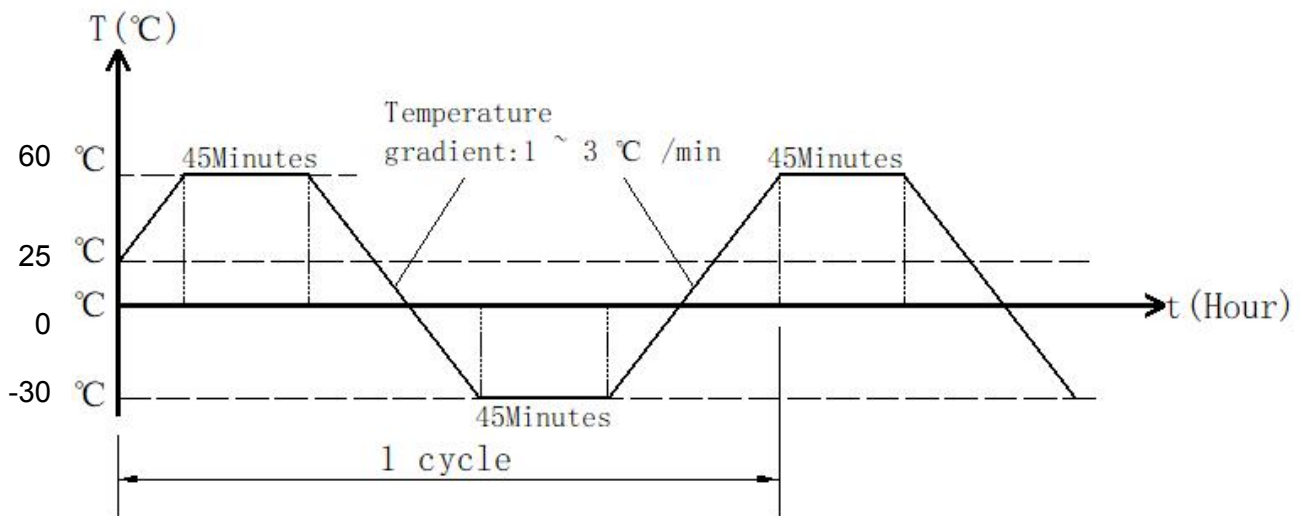


## Speaker Specification

Part No.	Customer No 客户型号		Customer code 客户编号	
	Our Part No 本厂编号	FS23DS0420-H10.2-P1.25-L60		Revision 版本  A
No.	Item 项目	Specification 规格	Testing Condition 测试条件	
1.	Rated Imp 共称阻抗	4Ω±15%	At 1kHz 2.0Vrms	
2.	Resonance Freq 最低共振周波数	Fo: 450Hz±20%	Without Baffle	
3.	Output S.P.L. 出力音压	82±3dB	At 0.1m 0.1w 0.6,0.8,1.0,1.2KHz Average	
4.	Rated Power 定格入力	at 2.0W	at 2.83 Vrms	
5.	Max Power 最大入力	at 3.5W	at 3.74Vrms	
6.	Frequency Range 实效频宽	FO----20kHz		
7.	Operation 可靠性试验	Must Be Normal at Rated Frequency Range	ProgramSource3.0W FO~10kHz	
8.	Buzzes & Rattles 异常音试验	Should not be audible buzz and rattle at Rated Frequency Range 无异常声	Sine Wave Between (正弦波入力) at 2.83Vrms / FO---- 10kHz	
9.	T H D 失真	10% Max	Rated Power Input 1000Hz	
10.	Magnet 磁铁	NdFeB		
11.	Operating Temperature 动作温度	-20°C to +50°C		
12.	Storage Temperature 储存温度	-30°C to +60°C		
13.	Weight 重量	/ g/PC		

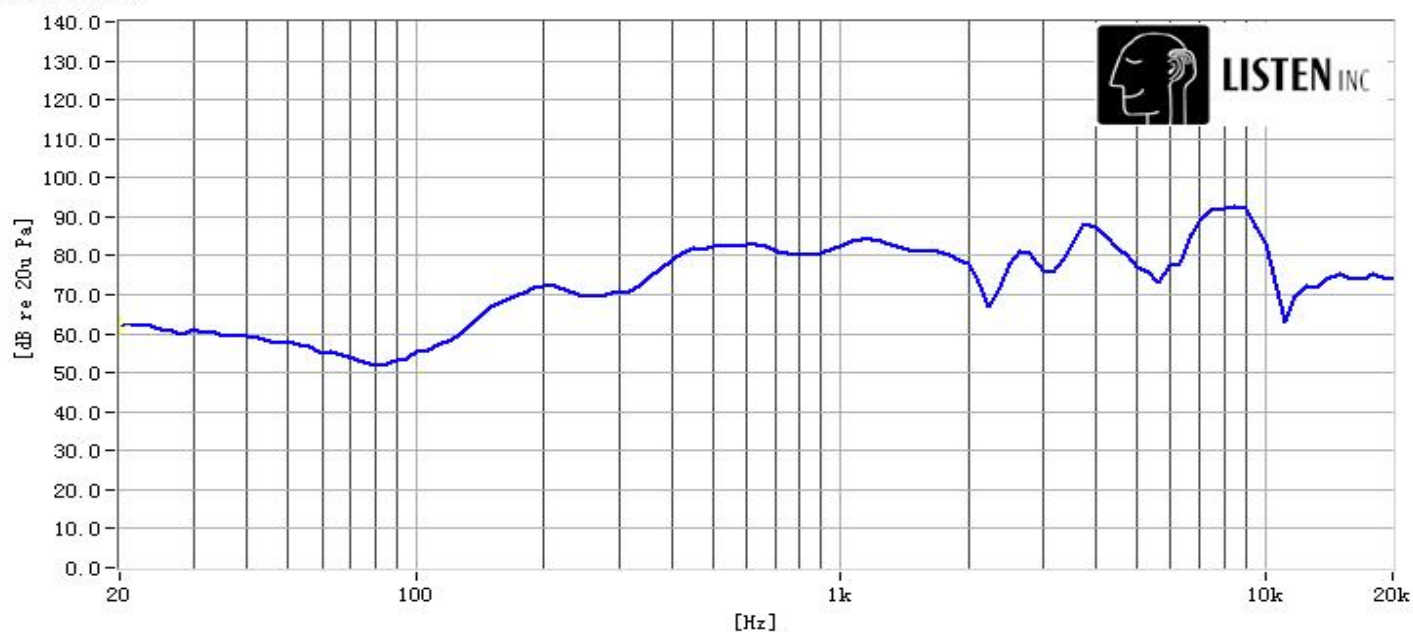
14.	Cold Test 耐寒试验	Must be normal after having been in a test chamber for 96 hours at the condition of $-30^{\circ}\text{C}\pm 2^{\circ}\text{C}$ and then left 2 hours in a room. ( $-30^{\circ}\text{C}\pm 2^{\circ}\text{C}$ , 96 小时试验室温两小时后, 无异常)
15.	Heat Test 耐热试验	Must be normal after having been in a test chamber for 96 hours at the condition of $+60^{\circ}\text{C}\pm 2^{\circ}\text{C}$ 90~95% R.H and then left 2 hours in a room. ( $+60^{\circ}\text{C}\pm 2^{\circ}\text{C}$ 90~95% R.H 96 小时试验, 常温 2 小时后, 无异常的不良)
16.	Load Test 连续负荷试验	Must be normal after load test :white noise 3.0W 96 hours. At rated frequency range (白噪音 2.0W 连续 96 小时试验后无异常的不良)
17	Short Term Max Power test 瞬间最大功率试验	Test for 1 hour under maximum power. Input shall be white noise in rated frequency response. And the signal will be 1 second on, 59 seconds off, total 60 cycles at rated frequency range, Must be normal after the test (白噪音 3.5W, 1 秒开 59 秒关, 连续 60 回合, 试验后无异常之不良)
18.	Polarity 极性	When a DC source's "+" polarity is attached to speaker's "+" polarity, "-" polarity is attached speaker's "-" polarity, the membrane will move forward. Red wire is "+" and the black wire is "-". (接线板右侧为正极, 左侧为负极)
19.	Drop Test 跌落试验	Drop the speakers contained in normal box onto a board 5mm thick 6 times from a height of 1.0m . Must be normal after the test (在厚 5mm 的木板上从 1.0m 的高度跌落 6 次, 无异常不良)
20.	High temperature load test 高温负荷试验	Must be normal after load test :white noise 3.0W 48 hours at the condition of $+50^{\circ}\text{C}\pm 2^{\circ}\text{C}$ At rated frequency range (白噪音 3.0W 连续 48 小时在 $+50^{\circ}\text{C}\pm 5$ , 试验后无异常的不良)

### Temperature Cycle Test(5 cycle)

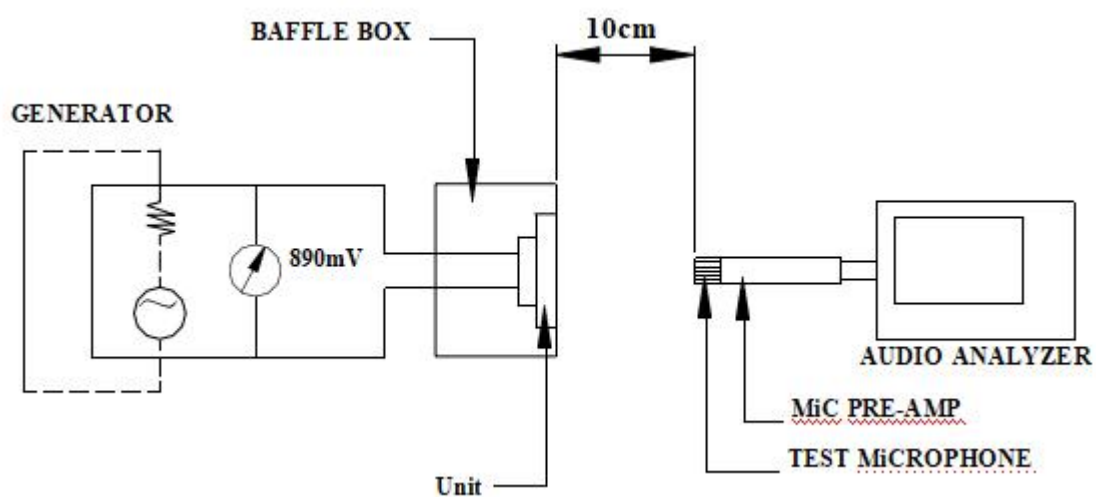
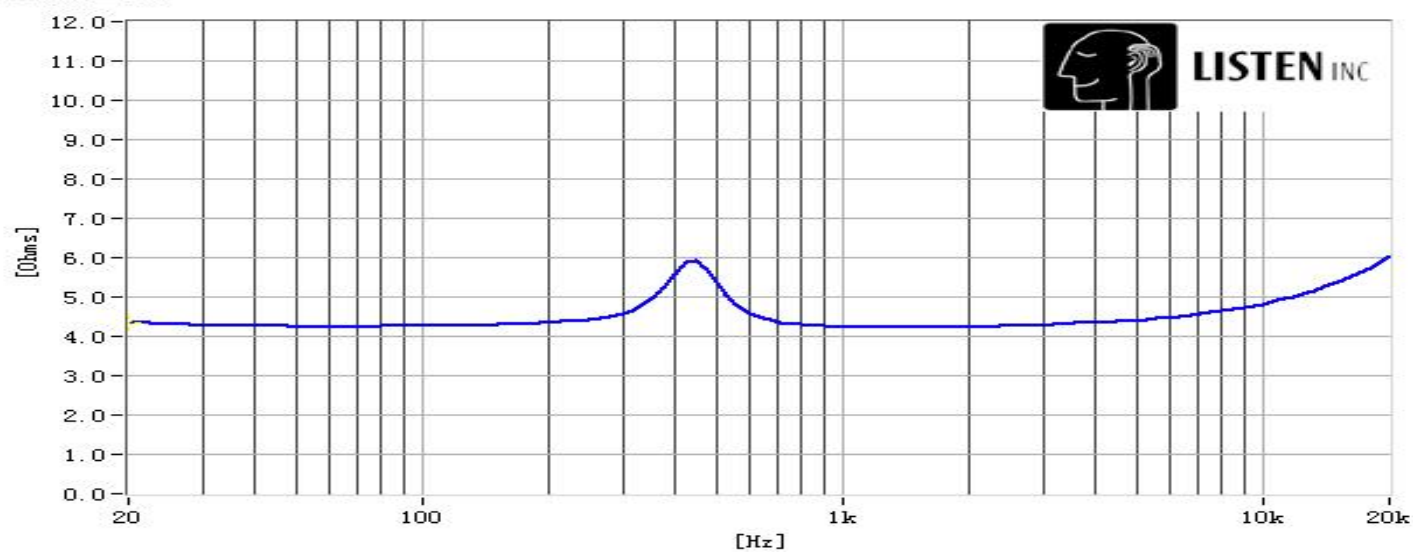


# Frequency Response

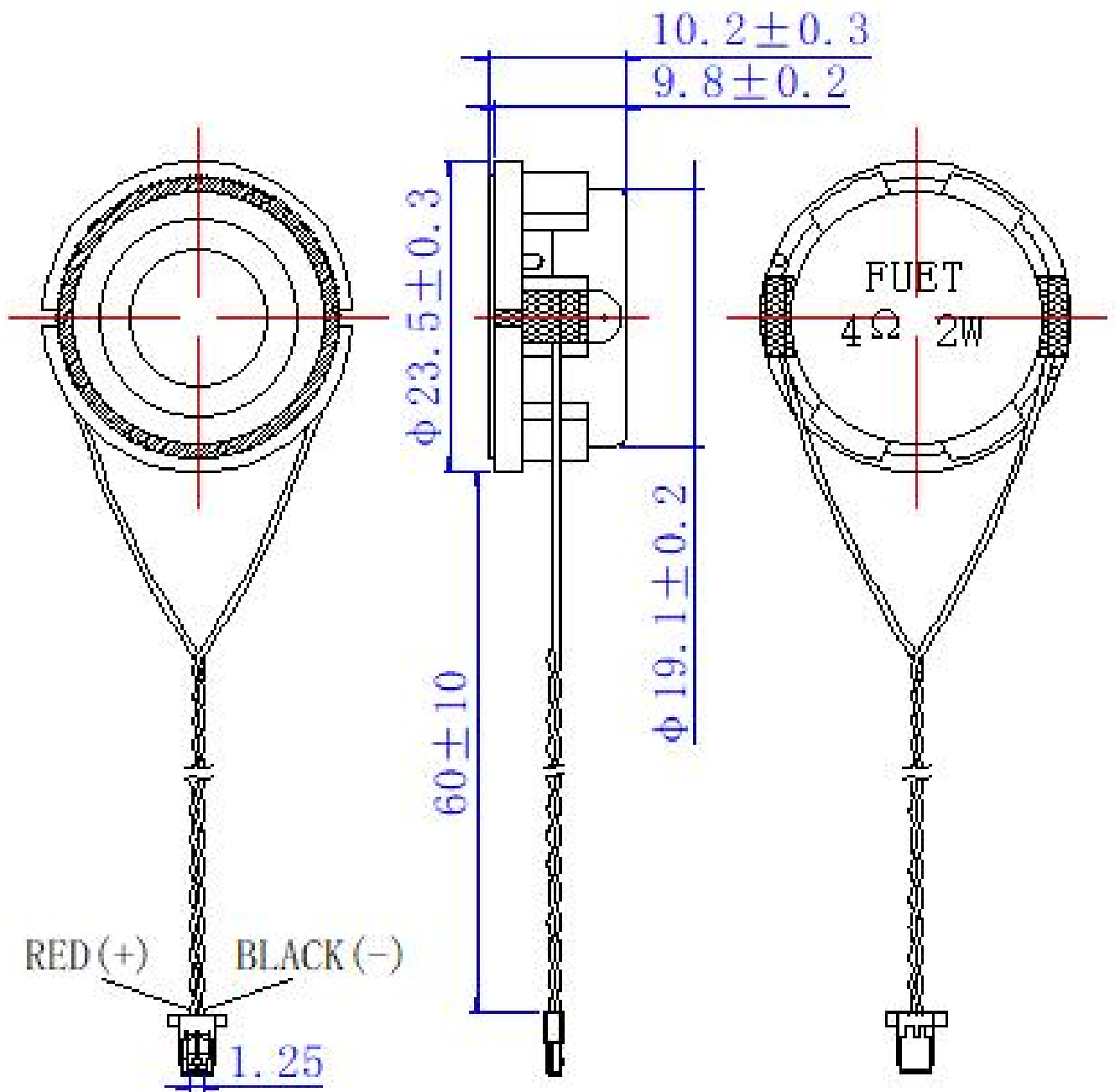
## 频响曲线



## 阻抗曲线



Product Outside View



FS23DS0420-H10.2-P1.25正-L60绞线

## X-ON Electronics

Largest Supplier of Electrical and Electronic Components

*Click to view similar products for [Speakers & Transducers](#) category:*

*Click to view products by [FUET](#) manufacturer:*

Other Similar products are found below :

[FC-30814-P127](#) [AS02832MR-2-R](#) [PB-1220PE](#) [PB-2015PQ](#) [SWFK-31736-000](#) [PT-2065FW](#) [PT-4175W](#) [PB-0927PQ](#) [BF-9778-000](#) [MBS](#)  
[3000-1811-A1AB08-0](#) [SMS2020-08H4.5](#) [LF](#) [BDT1717-08H6.5W56MLF](#) [AS03608MR-LW100-R](#) [SP570445-4](#) [FS7033NB0830-H15.5-R01](#)  
[FS7833NB0830-H19.0-R01](#) [FS77DS0850-H24-R01](#) [GSPK5010TN-4R2W](#) [GSPK5010TN-4R3W](#) [KLJ-1504R8W0.5-L44](#) [FS7423NB0430-](#)  
[H10.0](#) [FS50DS0430-H12.7](#) [PEI](#) [FS3511NB0808-H6.7-R01](#) [FS4020NB0410-H6.0-R01](#) [FS66W04100-H31](#) [FS45DS0880-H24.8-R02](#)  
[FS32NS0820-H5.8-R01](#) [FS2112NB0807-H7.0-R01](#) [FS3520NS0820-H7.9-P1.25-L60](#) [FS50DS0430-H13.3-R24](#) [FS3411P08-H4.0](#)  
[FS26NS0820-H4.9-R01](#) [FS14430NB0880-H30-R01](#) [FS5835DS0850-H19.4-R01](#) [FS2011NB0807-H3.9-R01](#) [FS28DS0820-H9.4-R01](#)  
[FS66W0830-H27](#) [FS66W0850-H22](#) [FS40DS0830-H11.2-P2.0-L100](#) [FS28DS0830-H15.3](#) [FS102W0480-H35](#) [FS3525NS0820-H5.5-R01](#)  
[FS5035NB0820-H26.8-R01](#) [FS27DS0830-H10.8-R01](#) [FS3915NB0808-H11.5-R01](#) [FS3020NB0808-H4.0-R01](#) [FS3616NB0808-H10-R01](#)  
[FS3514NB0808-H6.0-R01](#) [FS40DS0450-H18.3](#) [FS77W0450-H23.5](#)