

SPECIFICATION FOR APPROVAL

規 格 書

Customer (客戶名稱): _____

Customer P/N(客戶番號): _____

Our P/N (本廠番號): FS5045NB0450-H22.0腔体

Approval Date(日期): 2020.4.13

Environment Request(環境標準):

Non-RoHS (非 RoHS 標準)

RoHS2.0 (RoHS2.0 標準)

REACH (REACH 標準)

Others (其他)

CUSTOMER'S APPROVED SIGNATURE

泰州福聲電子科技有限公司



Taizhou Fusheng Electronic Technology Co.,Ltd. Add:

No168 of FengHuang Road West,Hailing District ,Taizhou .

地址: 江蘇省泰州市海陵區鳳凰西路168號

Tel: +86-523-86219066

Fax: +86-523- 81601108

[Http://www.tzfsdz.com](http://www.tzfsdz.com)

E-mail: sales@electronic-tech.cn

| | DESINGER | CHECKED | APPROVED |
|-----------|----------|---------|----------|
| SIGNATURE | | | |
| DATE | | | |

Alteration History

變更歷史

| Note 序號 | Date 日期 | Detail changes 變更內容 | Reason 變更理由 | Revision 變更表示 |
|------------|------------|------------------------|----------------|------------------|
| | | | | |
| | | | | |
| | | | | |
| | | | | |
| | | | | |
| | | | | |
| | | | | |
| | | | | |
| | | | | |
| | | | | |
| | | | | |
| | | | | |
| | | | | |
| | | | | |
| | | | | |
| | | | | |
| | | | | |
| | | | | |
| | | | | |
| | | | | |

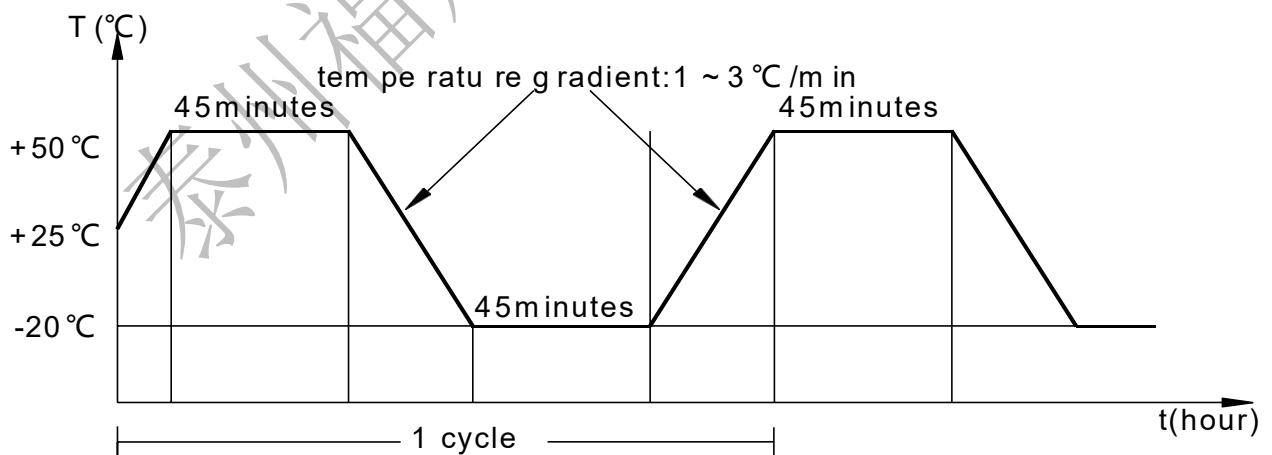
泰州福声电子科技有限公司

Speaker Specification

| | | | | |
|----------|----------------------------------|--|---|-------------------------|
| Part No. | Customer No 顧客型號 | | Customer code 顧客編號 | |
| | Our Part No 本廠編號 | FS5045NB0450-H22.0腔体 | | Revision 版本 A |
| No. | Item 項目 | Specification 規格 | Testing Condition 測試條件 | |
| 1. | Rated Imp 共稱阻抗 | 8Ω±15% | At 1kHz 1.0Vrms | |
| 2. | Resonance Freq 最低共振周波數 | Fb: 125Hz±20% Fo: 500Hz±20% | Without Baffle | |
| 3. | Output S.P.L. 出力音壓 | 95±3dB | At 0.1m 0.1w 0.6,0.8,1.0,1.5KHz Average | |
| 4. | Rated Power 定格入力 | at .0W | at 4.47 Vrms | |
| 5. | Max Power 最大入力 | at 6.0W | at 4.89Vrms | |
| 6. | Frequency Range 實效頻寬 | FO----20kHz | | |
| 7. | Operation 可靠性試驗 | Must Be Normal at Rated Frequency Range | ProgramSource5.0W FO~10kHz | |
| 8. | Buzzes & Rattles 異常音試驗 | Should not be audible buzz and rattle at Rated Frequency Range 無異常聲 | Sine Wave Between (正弦波入力) at 6.32 Vrms / FO----10kHz | |
| 9. | T H D 失真 | 10% Max | Rated Power Input 1000Hz | |
| 10. | Magnet 磁鐵 | NdFeB | | |
| 11. | Operating Temperature 動作溫度 | -20°C to +50°C | | |
| 12. | Storage Temperature 儲存溫度 | -30°C to +60°C | | |
| 13. | Weight 重量 | g | | |

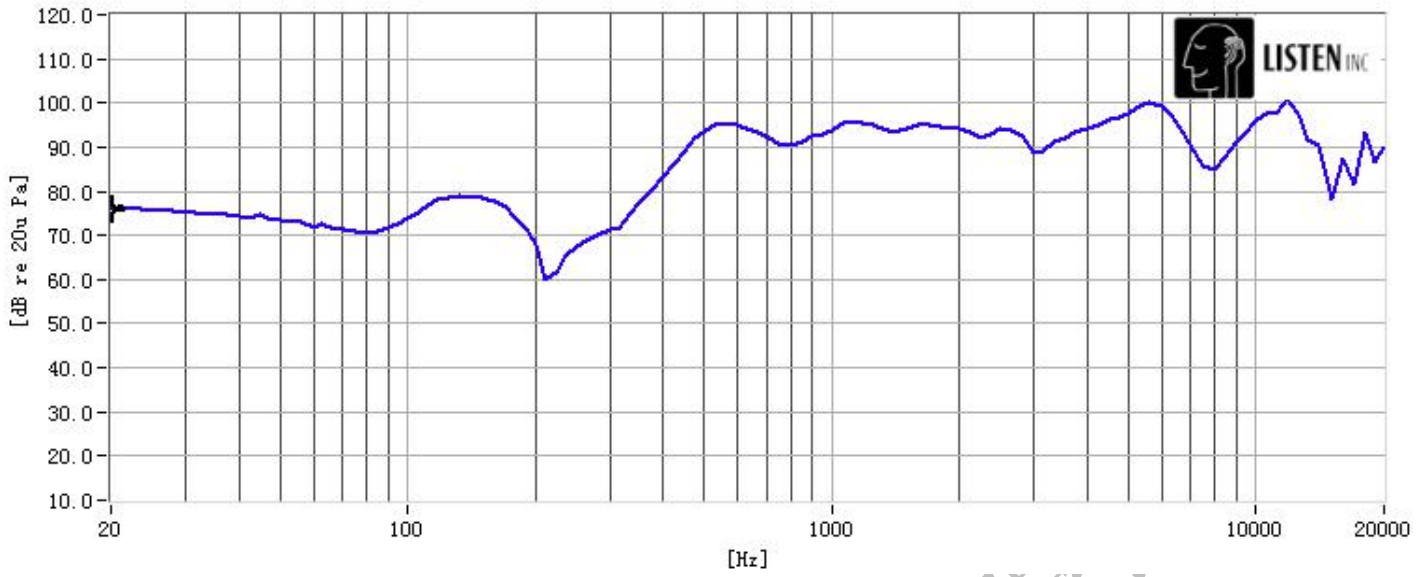
| | | |
|-----|---|---|
| 14. | Cold Test 耐寒試驗 | Must be normal after having been in a test chamber for 96 hours at the condition of $-20^{\circ}\text{C} \pm 2^{\circ}\text{C}$ and then left 2 hours in a room. ($-20^{\circ}\text{C} \pm 2^{\circ}\text{C}$, 96 小時試驗室溫兩小時後, 無異常) |
| 15. | Heat Test 耐熱試驗 | Must be normal after having been in a test chamber for 96 hours at the condition of $+50^{\circ}\text{C} \pm 2^{\circ}\text{C}$ 90~95% R.H and then left 2 hours in a room. ($+50^{\circ}\text{C} \pm 2^{\circ}\text{C}$ 90~95% R.H 96 小時試驗常溫 2 小時後, 無異常的不良) |
| 16. | Load Test 連續負荷試驗 | Must be normal after load test :White noise 1W 96 hours. At rated frequency range (白噪音 5.0W 連續 96 小時試驗後無異常的不良) |
| 17 | Short Term Maximum Power test 瞬間最大功率測試 | Test for 1 hour under maximum power. Input shall be White noise in rated frequency response. And the signal will be 1 second on, 59 seconds off, total 60 cycles at rated frequency range, Must be normal after the test (白噪音 6.0W, 1 秒開 59 秒關, 連續 60 迴圈, 試驗後無異常之不良) |
| 18. | -Polarity 極性 | When a DC source 's "+" polarity is attached to speaker's "+" polarity, "-" polarity is attached speaker's "-" polarity, the membrane will move forward. Red wire is "+" and the black wire is "-". (接線板由側為正極, 左側為負極) |
| 19. | Drop Test 跌落試驗 | Drop the speakers contained in normal box onto a board 5mm thick 6 times from a height of 1.0m . Must be normal after the test (在厚 5mm 的木板上從 1.0m 的高度跌落 6 次, 無異常不良) |
| | | |

Temperature Cycle Test(5 cycle)

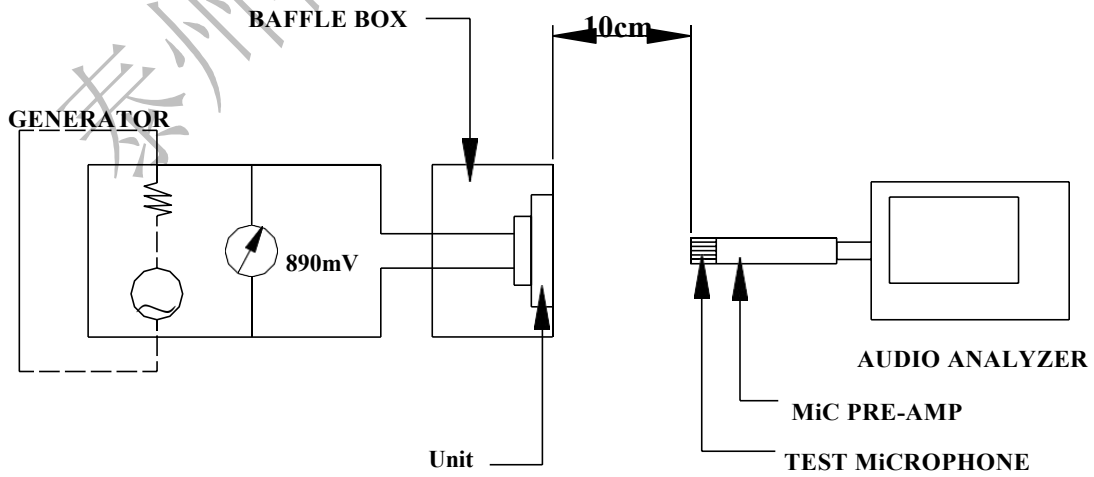
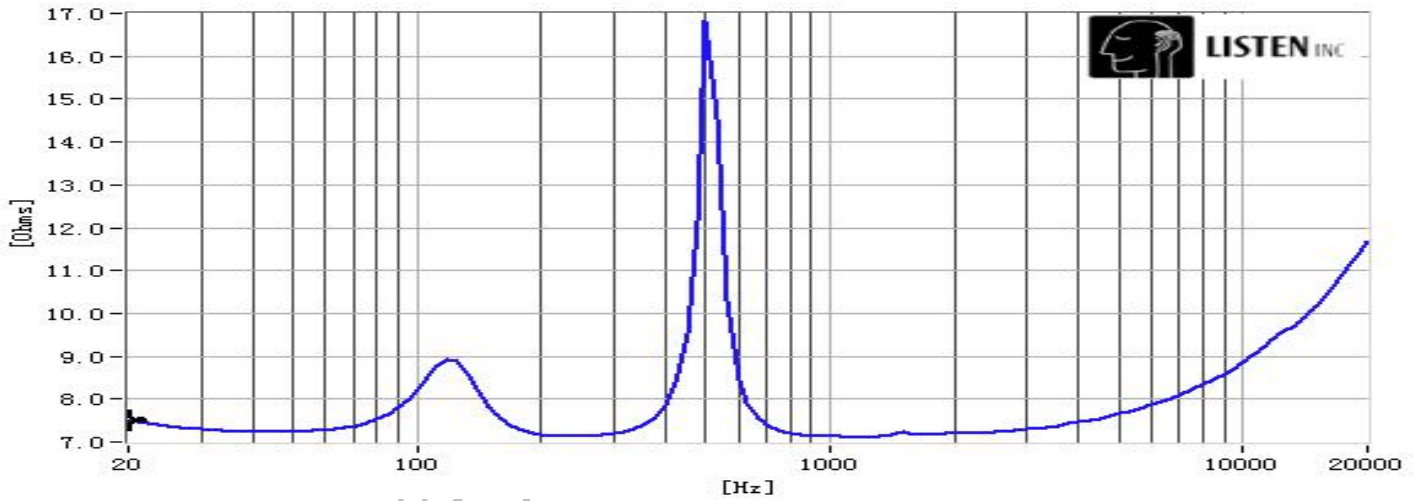


Frequency Response

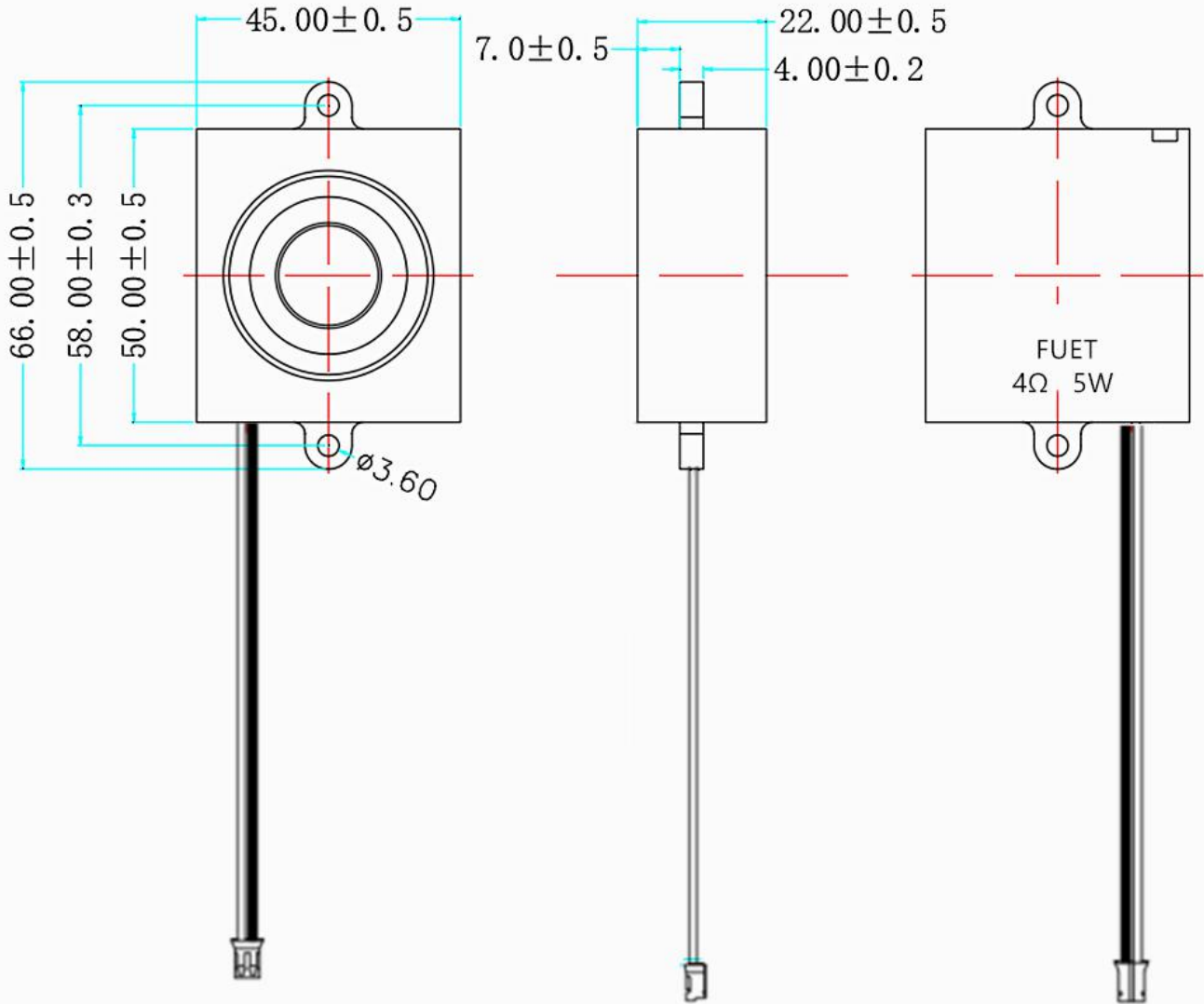
频响曲线



阻抗曲线



Product Outside View



2.54-2P 线长505MM (含端子头)

X-ON Electronics

Largest Supplier of Electrical and Electronic Components

Click to view similar products for [Speakers & Transducers](#) category:

Click to view products by [FUET](#) manufacturer:

Other Similar products are found below :

[FC-30814-P127](#) [AS02832MR-2-R](#) [PB-1220PE](#) [PB-2015PQ](#) [SWFK-31736-000](#) [PT-2065FW](#) [PT-4175W](#) [PB-0927PQ](#) [BF-9778-000](#) [MBS](#)
[3000-1811-A1AB08-0](#) [SMS2020-08H4.5](#) [LF](#) [BDT1717-08H6.5W56MLF](#) [AS03608MR-LW100-R](#) [SP570445-4](#) [FS7033NB0830-H15.5-R01](#)
[FS7833NB0830-H19.0-R01](#) [FS77DS0850-H24-R01](#) [GSPK5010TN-4R2W](#) [GSPK5010TN-4R3W](#) [KLJ-1504R8W0.5-L44](#) [FS66W04100-H31](#)
[FS45DS0880-H24.8-R02](#) [FS32NS0820-H5.8-R01](#) [FS3520NS0820-H7.9-P1.25-L60](#) [FS50DS0430-H13.3-R24](#) [FS3411P08-H4.0](#) [FS26NS0820-](#)
[H4.9-R01](#) [FS14430NB0880-H30-R01](#) [FS5835DS0850-H19.4-R01](#) [FS2011NB0807-H3.9-R01](#) [FS28DS0820-H9.4-R01](#) [FS40DS0830-H11.2-](#)
[P2.0-L100](#) [FS28DS0830-H15.3](#) [FS3525NS0820-H5.5-R01](#) [FS5035NB0820-H26.8-R01](#) [FS3915NB0808-H11.5-R01](#) [FS3020NB0808-H4.0-](#)
[R01](#) [FS3616NB0808-H10-R01](#) [FS3514NB0808-H6.0-R01](#) [FS40DS0450-H18.3](#) [FS3411P04-H4.0](#) [FS50DS0830-H12.7](#) [PEI](#) [FS7033NB0430-](#)
[H15.5-R01](#) [FS3020NB0805-H4.1-R01](#) [FS4020NB0410-H6.6-R01](#) [FS4020NB0820-H8.5-R01](#) [FS23DS0420-H10.2-P1.25-L60](#) [FS50DS0830-](#)
[H13.3-R24](#) [FS66DS0850-H16.2-R01](#) [FS3511NB0808-H5.2-R01](#)