

# SPECIFICATION FOR APPROVAL

## 規 格 書

Customer (客戶名稱): \_\_\_\_\_

Customer P/N(客戶番號): \_\_\_\_\_

Our P/N (本廠番號): FS66W0830-H27

Approval Date(日期): 2020.6.18

Environment Request(環境標準):

Non-RoHS (非 RoHS 標準)

RoHS (RoHS 標準)

REACH (REACH 標準)

Others (其他)

CUSTOMER'S APPROVED SIGNATURE



### 泰州福聲電子科技有限公司

Taizhou Fusheng Electronic Technology Co.,Ltd.

Adds: No168 of FengHuang Road West,Hailing District ,Taizhou .

地址：江蘇省泰州市海陵區鳳凰西路98號

Tel: +86-523-86219066

Fax: +86-523- 81601108

[Http://www.tzfsdz.com](http://www.tzfsdz.com)

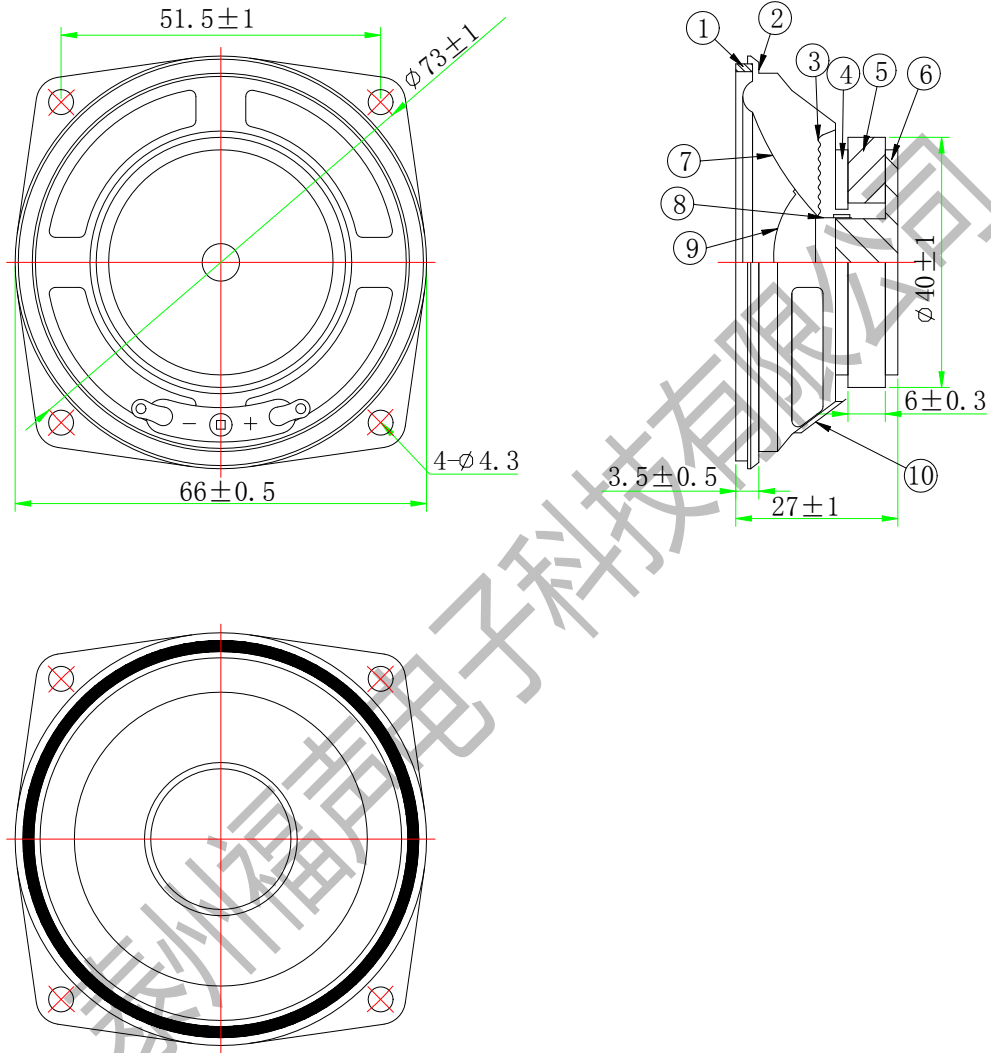
E-mail: [sales@electronic-tech.cn](mailto:sales@electronic-tech.cn)

	DESINGER	CHECKED	APPROVED
SIGNATURE			
DATE			

## Speaker Specification

Part No.	Customer No 顧客型號		Customer code 顧客編號	
	Our Part No 本廠編號	FS66W0830-H27		Revision 版本 B
No.	Item 項目	Specification 規格	Testing Condition 測試條件	
1.	Rated Imp 共稱阻抗	8ohm±15%	At 1kHz4.90Vrms	
2.	Resonance Freq 最低共振周波數	200Hz±20%	Without Baffle	
3.	Output S.P.L. 出力音壓	95±3dB	At 1m 1w 0.6,0.8,1.0,1.2KHz Average	
4.	Rated Power 定格入力	at 3.0W	at 4.90 Vrms	
5.	Max Power 最大入力	at 4.0W	at 5.66 Vrms	
6.	Frequency Range 實效頻寬	FO----20kHz		
7.	Operation 可靠性試驗	Must Be Normal at Rated Frequency Range	Program Source 3W FO----10kHz	
8.	Buzzes & Rattles 異常音試驗	Should not be audible buzz and rattle at Rated Frequency Range 無異常聲	Sine Wave Between (正弦波入力) at 4.90 Vrms / FO----10kHz	
9.	T H D 失真	≤5%		
10.	Magnet 磁鐵	Ferrite		
11.	Operating Temperature 動作溫度	-30°C to +75°C		
12.	Storage Temperature 儲存溫度	-40°C to +85°C		
13.	Weight 重量	86g±8%		

### Product Outside View



产品图片Picture:



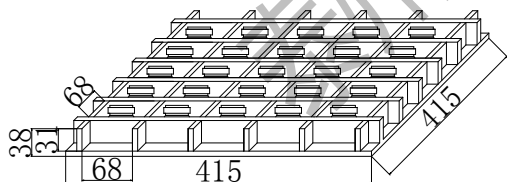
Frequency Response



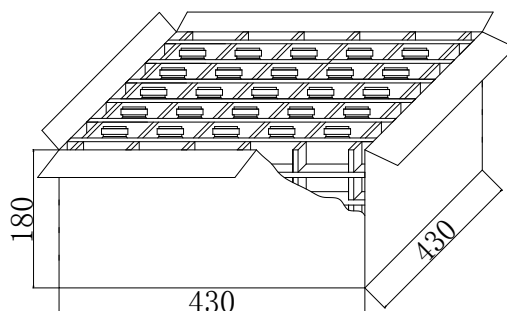
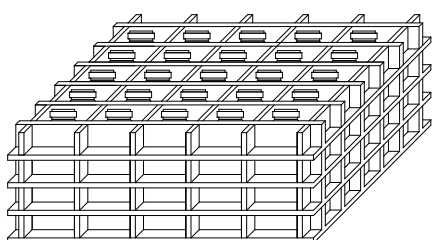
## Remark

NO	零件Component	材质Material
1	压边 Gasket	纸 Paper
2	盆架 Frame	冷轧钢板SPCC
3	弹波 Damper	布 Cloth
4	华司Washer	冷轧钢板SPCC
5	磁铁 Magnet	铁氧体 Ferrite
6	T铁 T-yoke	冷轧钢板 SPCC
7	鼓纸 Cone	泡边纸盆Foam+Paper
8	音圈 Voice coil	铝管ASV+Cu
9	帽子 Dust cap	黑亮帽 PET
10	接线板 Terminals	纸板+铁Paper+Steel

## 包装 Packing picture:



1. Each clapboard 25 pcs,  
Each carton 4 clapboards,  
100 pcs/carton  
N.W:8.6KG, G.W:10.6 KG
2. Corrugated paper: 415\*415mm 1 pcs
3. Carton size: 430\*430\*180mm 1 pcs



## X-ON Electronics

Largest Supplier of Electrical and Electronic Components

*Click to view similar products for [Speakers & Transducers](#) category:*

*Click to view products by [FUET](#) manufacturer:*

Other Similar products are found below :

[FC-30814-P127](#) [AS02832MR-2-R](#) [PB-1220PE](#) [PB-2015PQ](#) [SWFK-31736-000](#) [PT-2065FW](#) [PT-4175W](#) [PB-0927PQ](#) [BF-9778-000](#) [MBS](#)  
[3000-1811-A1AB08-0](#) [SMS2020-08H4.5](#) [LF](#) [BDT1717-08H6.5W56MLF](#) [AS03608MR-LW100-R](#) [SP570445-4](#) [FS7033NB0830-H15.5-R01](#)  
[FS7833NB0830-H19.0-R01](#) [FS77DS0850-H24-R01](#) [GSPK5010TN-4R2W](#) [GSPK5010TN-4R3W](#) [KLJ-1504R8W0.5-L44](#) [FS7423NB0430-](#)  
[H10.0](#) [FS50DS0430-H12.7](#) [PEI](#) [FS3511NB0808-H6.7-R01](#) [FS4020NB0410-H6.0-R01](#) [FS66W04100-H31](#) [FS45DS0880-H24.8-R02](#)  
[FS32NS0820-H5.8-R01](#) [FS2112NB0807-H7.0-R01](#) [FS3520NS0820-H7.9-P1.25-L60](#) [FS50DS0430-H13.3-R24](#) [FS3411P08-H4.0](#)  
[FS26NS0820-H4.9-R01](#) [FS14430NB0880-H30-R01](#) [FS5835DS0850-H19.4-R01](#) [FS2011NB0807-H3.9-R01](#) [FS28DS0820-H9.4-R01](#)  
[FS66W0830-H27](#) [FS66W0850-H22](#) [FS40DS0830-H11.2-P2.0-L100](#) [FS28DS0830-H15.3](#) [FS102W0480-H35](#) [FS3525NS0820-H5.5-R01](#)  
[FS5035NB0820-H26.8-R01](#) [FS27DS0830-H10.8-R01](#) [FS3915NB0808-H11.5-R01](#) [FS3020NB0808-H4.0-R01](#) [FS3616NB0808-H10-R01](#)  
[FS3514NB0808-H6.0-R01](#) [FS40DS0450-H18.3](#) [FS77W0450-H23.5](#)