

泰州福声电子科技有限公司

承 认 书

Specification For Approval

产 品 名 称	Φ30 压电无源蜂鸣器
PRODUCT NAME	
产 品 型 号	FSR-3007-12V
PART NUMBER	
客户型号 / 客户名称	
Customer's Model No/Customer's Name	

客户确认：（签署和签章）

Approved By:(Signature and Chop)

日期 Date:

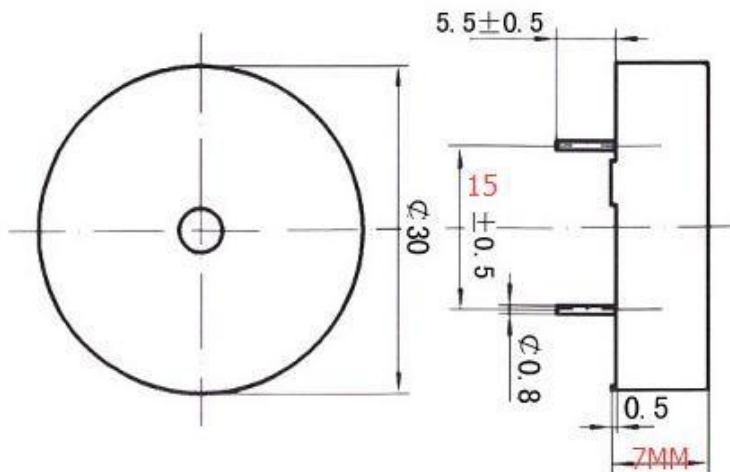
批 准	审 核	拟 制
Approved By	Checked By	Drafted by
房娜	严彬	吴芸芹

PIEZOELECTRO TRANSDUCER SPECIFICATION

Customer:		Part No:		
Product: piezoelectric Buzzers		Part No: FSR-3007		
Technical Terms				
Resonant Frequency (KHZ)		2.4±0.5		
Rated Voltage (V_{P-P})		12		
Operating Voltage (V_{P-P})		1~30		
Max. Current Consumption at Rated Voltage (mA)		3.0		
Capacitance at 1000Hz (Pf)		24000±30%		
Min. Sound Output at 10cm at Rated Voltage (dB)		80		
Operating Temperature (°C)		-20~+70		
Storage Temperature (°C)		-30~+80		
Environmental Protection Regulation		RoHS		
Buzzer		Soldering Parameter		
Soldering process		Temp.(°C)	Time(Sec.)	Times
Inclusive Lead	Reflow soldering	230±10	above 170°C time 40~70	2
	Wave soldering	245±5	3~6	1~2
	Manual soldering	330±10	1~2	1~2
Lead Free	Reflow soldering	245±15	above 180°C time 40~70	3
	Wave soldering	260±5	4~8	2~3
	★ Manual soldering	350±10	1~3	2~3

Remark: ★ Instance Soldering Process

APPEARANCE DRAWING Tol : ± 0.5 Unit: mm



X-ON Electronics

Largest Supplier of Electrical and Electronic Components

Click to view similar products for [Piezo Buzzers & Audio Indicators](#) category:

Click to view products by [FUET](#) manufacturer:

Other Similar products are found below :

[PFD-21A29W](#) [PLD-21N30W](#) [REM-6027F-1.5](#) [RH1020C-010-NFP-G-NL](#) [PFD-27N36W](#) [KBS-20DA-7AS](#) [KBS-27DA-5C-105](#)
[RFS5015382PNL](#) [MSR516NP](#) [DMT-1606S-NL](#) [OMT112](#) [SCE016SD3CM4B](#) [DMT-09-1-4B-NL](#) [HBO0302C-58/1248](#) [AT-3045-TF-LW110-R](#) [SMA-17-S](#) [BMS3650L-LF](#) [SMT-0540-T-7-R](#) [SMT-0540-T-2-R](#) [AT-0927-TT-2-R](#) [AT-2310-T-LW100-R](#) [SMI-1324-TW-5V-4-R-T/R](#)
[SC0715BL](#) [AI-1027-TWT-5V-R](#) [SC235AF](#) [SMT-0827-TW-5V-R](#) [AT-2830-TWT-R](#) [AT-1220-TT-5-R](#) [AT-1220-TT-10-R](#) [AT-1127-ST-2-R](#)
[AT-1220-TWT-5V-R](#) [AT-1750-TFL-LW95-R](#) [AI-2437-TWT-R](#) [SMT-1427-S-R](#) [SMT-1127-S-R](#) [AI-3245-TF-LW95-R](#) [AI-2438-TT-R](#)
[AB2040B](#) [SMI-1324-TW-3V-R](#) [SMT-1324-TW-5V-R](#) [AT-2429-TWT-R](#) [AI-1223-TWT-12V-3-R](#) [AI-1440-TWT-24V-2-R](#) [AB4113B](#) [AI-1223-TWT-5V-4-R](#) [X-4028-P-C32-R](#) [AI-2304-TF-LW120-12V-R](#) [AI-4329-P-SP28-R](#) [XL-5020-TF-LW150-S-R](#) [SMA-30-P17.5](#)