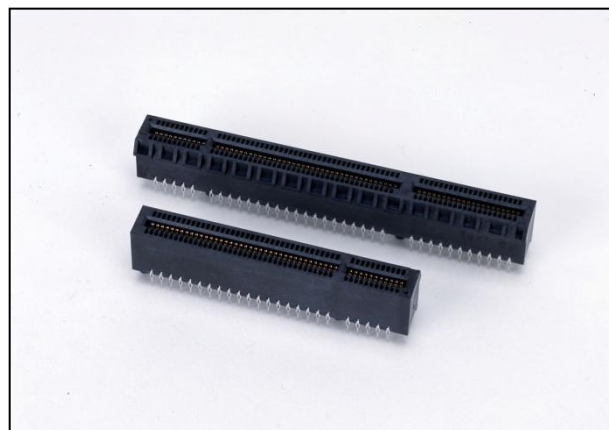


07J series (PCI Express Bus) connector

FCN-074J098-G/3P,FCN-074J140-G/3P **RoHS Compliant**

■ FEATURES

- PCI Express (Gen2) bus card edge connector (Press fit type)
- 8 lane-98 contacts, 12 lane-140 contacts
- Twin-point contact structure, which ensures a reliable connection
- Insulator is UL - approved (UL94V-0).



■ SPECIFICATIONS

Item	Specifications
Environmental range	-55 to + 85 degreeC
Current rating	1.1A
Voltage rating	50VAC
Contact resistance	30m ohm max. (10mA, 20mVDC)
Insulation resistance	1,000M ohm min. (500VDC)
Dielectric withstanding voltage	AC 500V for 1 minute
Insertion force	1.15N/2 contacts max. (56.35N (8 lane) max. 80.5N (12 lane) max.)
Press-fit pin insertion force	44.5N/pin max.

■ PART NUMBERS

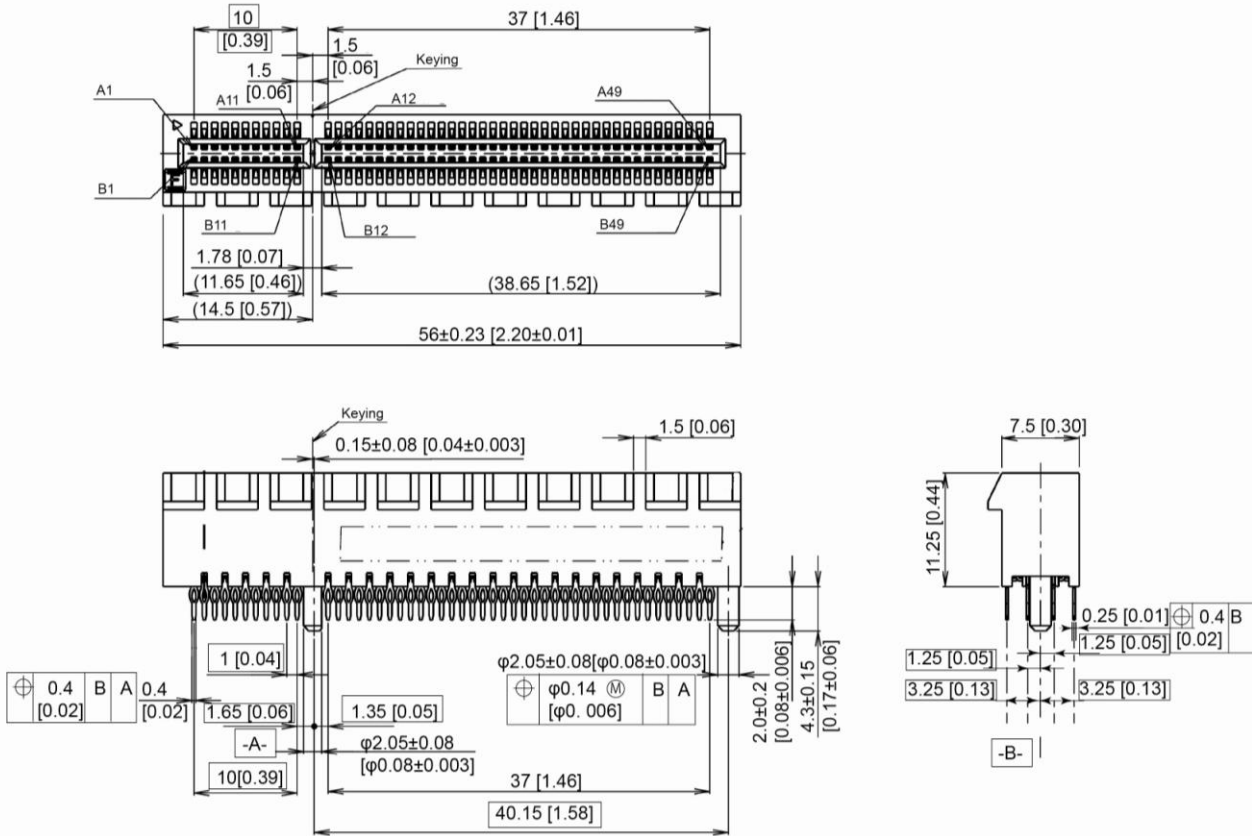
Part number	Lane	Number of contacts	Package	Plastic Tray Qtys	Container Qtys
FCN-074J098-G/3P	8	98	Tray	40pcs	400pcs
FCN-074J140-G/3P	12	140	Tray	30pcs	300pcs

MATERIALS

Item		Materials
Insulating material		LCP (UL94V-0)
Conductor		Copper Alloy
Plating	Contact	Gold plating (PAGOS®)
	Compliant	Tin Plating

DIMENSIONS
8 lane - 98 contacts

[FCN-074J098-G/3P]

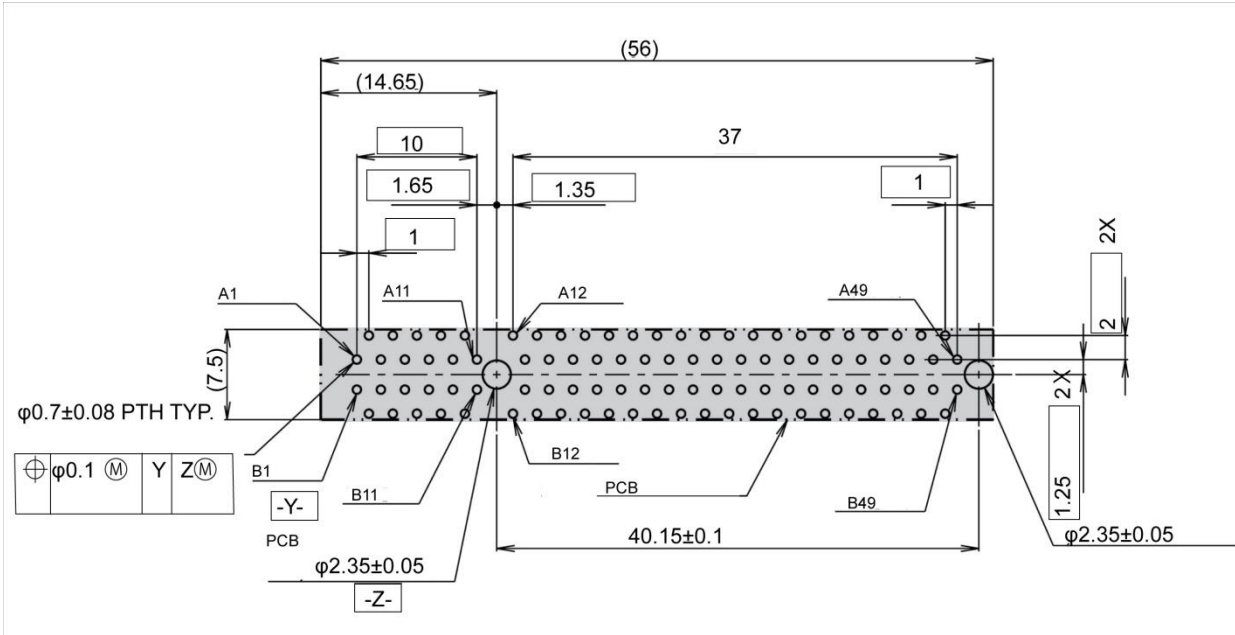


PRSN'T Pin: A1, B17, B31, B48

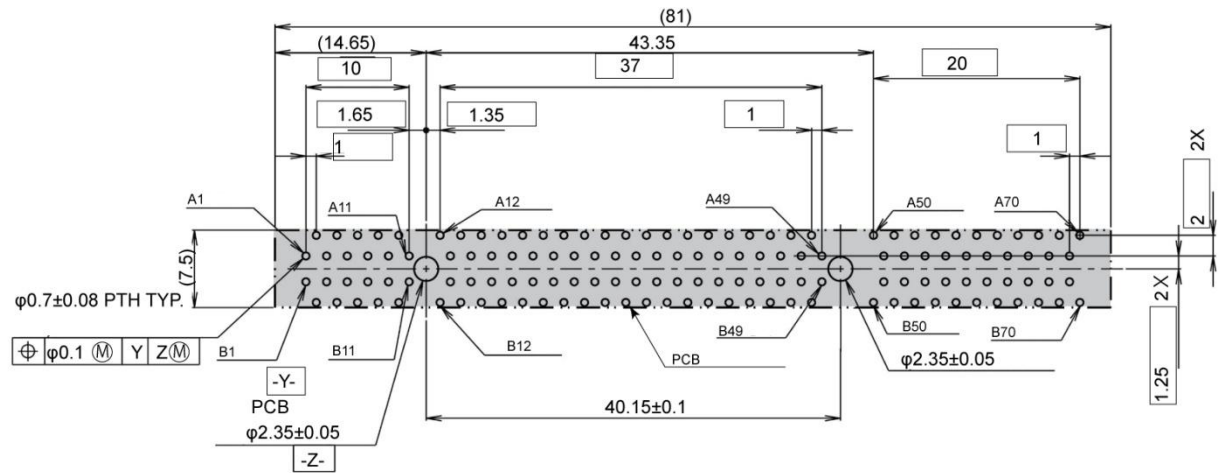
Unit:mm
The dimension in () is reference dimension.

RECOMMENDED P.W.B DIMENSION (TOP VIEW)

[FCN-074J098-G/3P]



[FCN-074J140-G/3P]

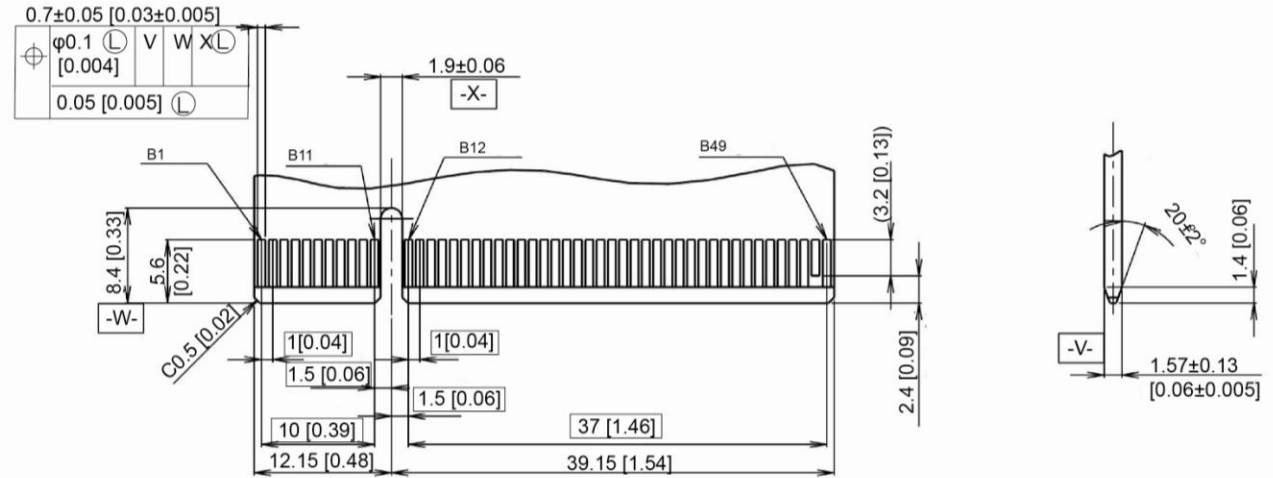


Recommended thickness of P.W.B.: 1.6-3.2mm
 Shaded part shows the pattern inhibited area.

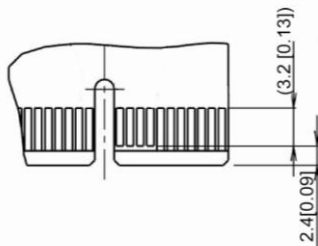
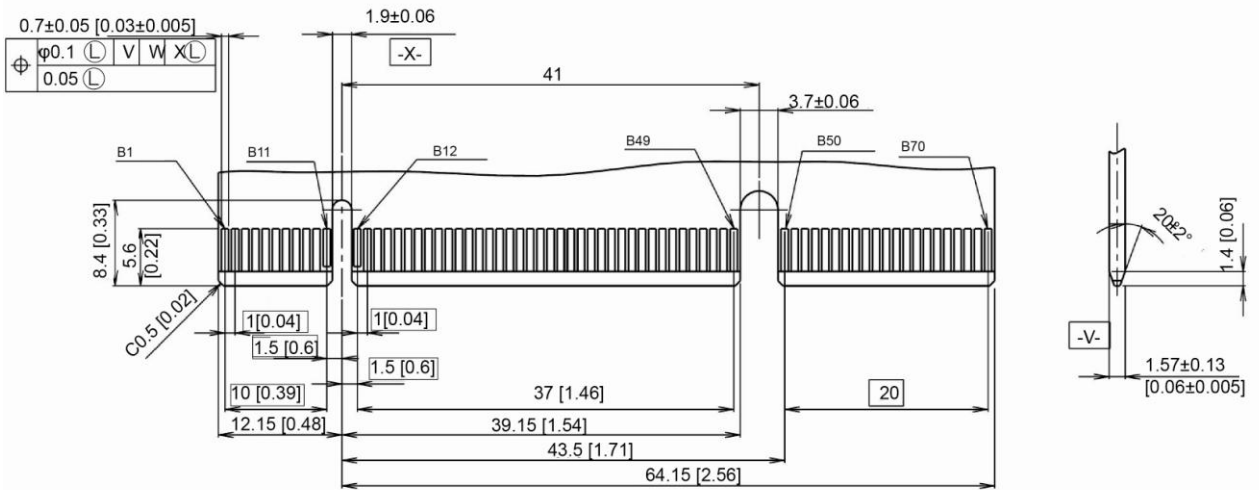
Unit:mm
 The dimension in () is reference dimension.

RECOMMENDED MODULE CONTACT DIMENSION

[8 lane 98contacts module]



[12 lane 140 contacts module]



Remark: Each pin applies to PRSNT pin.

Unit:mm

The dimension in () is reference dimension.

■ SALES OFFICES

Contact

Japan

FUJITSU COMPONENT LIMITED
Shinagawa Seaside Park Tower
12-4, Higashi-shinagawa 4-chome,
Tokyo 140 0002, Japan
Tel: (81-3) 3450-1681
Fax: (81-3) 3474-2385
Email: fd-contact@cs.jp.fujitsu.com
Web: www.fujitsu.com/jp/group/fcd/en/

North and South America

FUJITSU COMPONENTS AMERICA, INC.
2290 North First Street, Suite 212
San Jose, CA 95131 U.S.A.
Tel: (1-408) 745-4900
Fax: (1-408) 745-4970
Email: components@us.fujitsu.com
Web: http://us.fujitsu.com/components/

Europe

FUJITSU COMPONENTS EUROPE B.V.
Diamantlaan 25
2132 WW Hoofddorp
Netherlands
Tel: (31-23) 5560910
Fax: (31-23) 5560950
Email: info@fceu.fujitsu.com
Web: emea.fujitsu.com/components/

Asia Pacific

FUJITSU COMPONENTS ASIA, Ltd.
102E Pasir Panjang Road
#01-01 Citilink Warehouse Complex,
Singapore 118529
Tel: (65) 6375-8560 / Fax: (65) 6273-3021
Email: fcal@sg.fujitsu.com
www.fujitsu.com/sg/products/devices/
components/

China

FUJITSU ELECTRONIC COMPONENTS
(SHANGHAI) CO., LTD.
Unit 4306, InterContinental Center
100 Yu Tong Road, Shanghai 200070, China
Tel: (86 21) 3253 0998 / Fax: (86 21) 3253 0997
Email: fcal@sg.fujitsu.com
www.fujitsu.com/sg/products/devices/
components/

Hong Kong

FUJITSU COMPONENTS HONG KONG Co., Ltd.
Room 06, 28/F, Greenfield Tower, Concordia
Plaza, No.1 Science Museum Road,
Tsim Sha Tsui East, Kowloon, Hong Kong
Tel: (852) 2881 8495 Fax: (852) 2894 9512
Email: fcal@sg.fujitsu.com
www.fujitsu.com/sg/products/devices/
components/

Korea

FUJITSU COMPONENTS KOREA, LTD.
Alpha Tower #403,
645 Sampyeong-dong,
Bundang-gu, Seongnam-si,
Gyeonggi-do, 13524 Korea
Tel: (82 31) 708-7108
Fax: (82 31) 709-7108
Email: fcal@sg.fujitsu.com
www.fujitsu.com/sg/products/
devices/components/

Copyright

All trademarks or registered trademarks are the property of their respective owners. Fujitsu Components America or its affiliates do not warrant that the content of datasheet is error free. In a continuing effort to improve our products Fujitsu Components America, Inc. or its affiliates reserve the right to change specifications/datasheets without prior notice. Copyright ©2017 Fujitsu Components America, Inc. All rights reserved. Revised September 5, 2017.

X-ON Electronics

Largest Supplier of Electrical and Electronic Components

Click to view similar products for [PCI Express/PCI Connectors](#) category:

Click to view products by [Fujitsu](#) manufacturer:

Other Similar products are found below :

[UEX220-6U](#) [10039755-10110TLF](#) [1-1871239-2](#) [2170560-2](#) [10125756-980000LF](#) [EB220-3U](#) [WD2M144WB2R300](#) [10061913-120PLF](#)
[GPCP146400111HR](#) [GPCP442628110HR](#) [GPCP446200120HR](#) [GPCP245400111HR](#) [10082378-10000TLF](#) [87715-9256](#) [MDT580M03001](#)
[0877159107](#) [MDT580M01001](#) [10018783-11000MLF](#) [10018783-11101TLF](#) [10108777-10000ALF](#) [10141523-111T0LF](#) [10145445-10003MLF](#)
[PSASF2130311TR](#) [PSASF3130411TR](#) [PSASF3130131TR](#) [7-1734774-7](#) [3-1761465-1](#) [10039755-10111TLF](#) [10039755-10112TLF](#) [10018783-](#)
[10211TLF](#) [10018784-10211TLF](#) [10018784-10212TLF](#) [1761465-2](#) [1871058-1](#) [5-1761465-4](#) [10018783-10200MLF](#) [10018783-10213TLF](#)
[10018784-10210TLF](#) [10018784-11113TLF](#) [10025026-10001TLF](#) [5145154-8](#) [1871058-4](#) [2041119-2](#) [10018783-10212TLF](#) [10018784-](#)
[10102TLF](#) [10018783-11200TLF](#) [10123371-001TRLF](#) [10018784-10110TLF](#) [6-1734774-7](#) [6-1734774-9](#)