

Discontinued

FUJITSU Component Connector FCN-118X series (Grounding Springs)

Fujitsu grounding springs for mobile devices

Overview

Fujitsu Components' grounding spring FCN-118X provides secure frame grounding between pc board and frame of mobile devices such as smart phones and tablet PCs. Its unique side-wing structure increases the spring's rigidity and strength to resist deformation from applied outside force.

Features

- Unique side-wing structure prevents deformation from applied outside force (patent pending)
- Wide working range with three product options
- Capable to use as power contact
- Custom designs possible
- RoHS compliant

Item	Specification
Contact resistance	40mΩ (20mVDC, 1mA)
Attach/remove endurance	50mΩ (after 10 attachments/removals)
Operating temperature	-40 to +85°C, 95RH% max.
Storage temperature	-10 to +40°C, 90RH% max. (no frost)

Item	Material
Base material	Copper alloy
Surface treatment	Gold plated nickel

■ Part numbers and dimensions

Part number	Dimensions (LxWxH mm)	Flexion range (mm)	Working range (mm)	Contact Force (N)
FCN-118X001-G/0	3.7 x 1.4 x 2.05	0.80	1.25 ~ 1.8	1.0±0.3 (at height = 1.4mm)
FCN-118X003-G/0	3.0 x 1.3 x 2.85	0.75	2.1 ~ 2.4	1.0±0.3 (at height = 2.25mm)
FCN-118X004-G/0	3.7 x 1.4 x 1.8	0.95	0.85 ~ 1.4	0.8±0.2 (at height = 0.8mm)



FCN-118X001-G/0

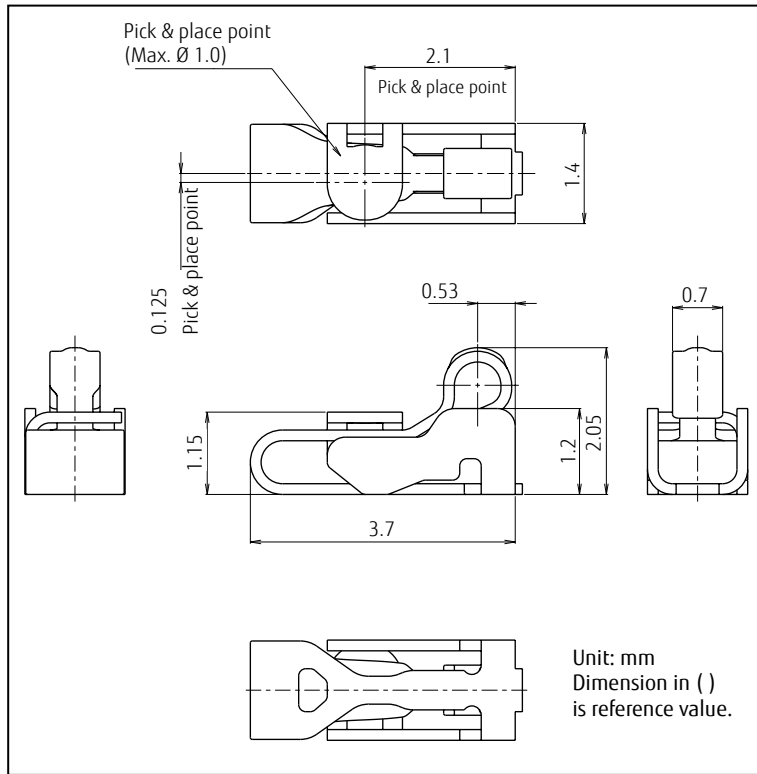


FCN-118X003-G/0

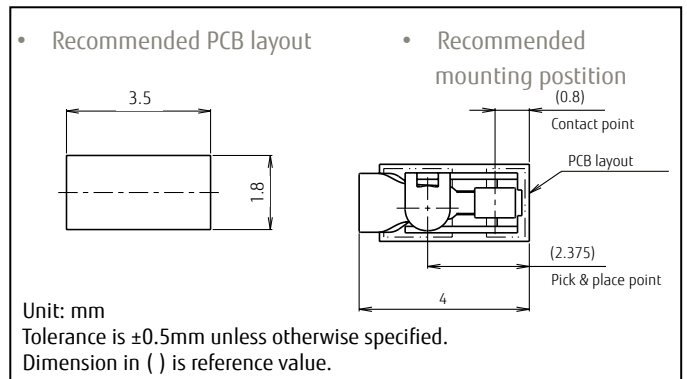


FCN-118X004-G/0

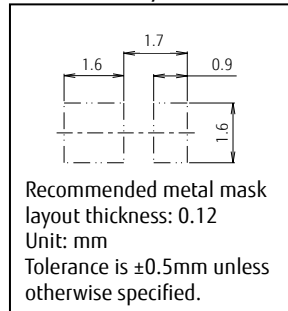
■ FCN-118X001-G/0
 ■ Dimensions



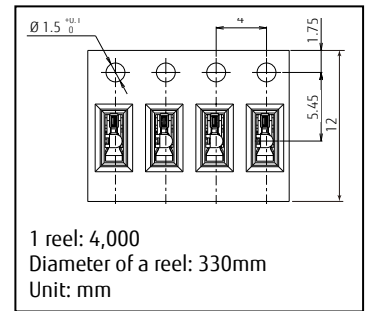
■ Mounting Position



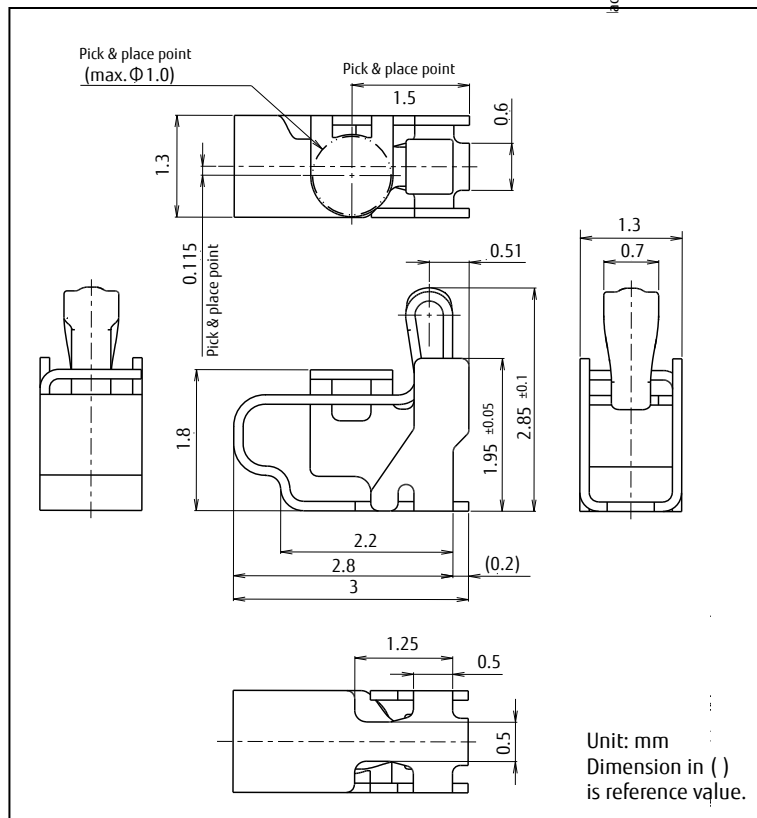
■ Recommended metal mask layout



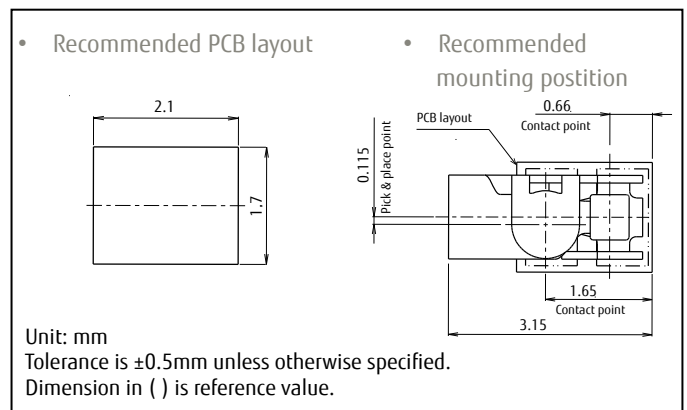
■ Packaging



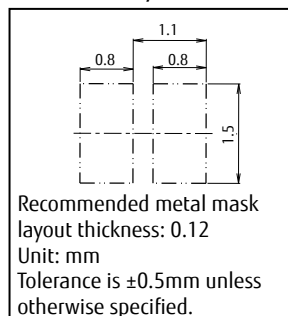
■ FCN-118X003-G/0
 ■ Dimensions



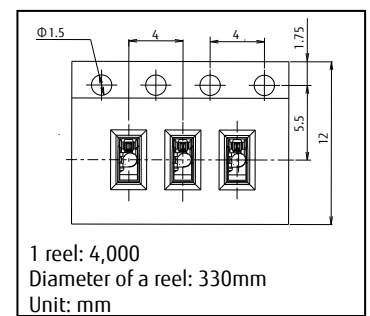
■ Mounting Position



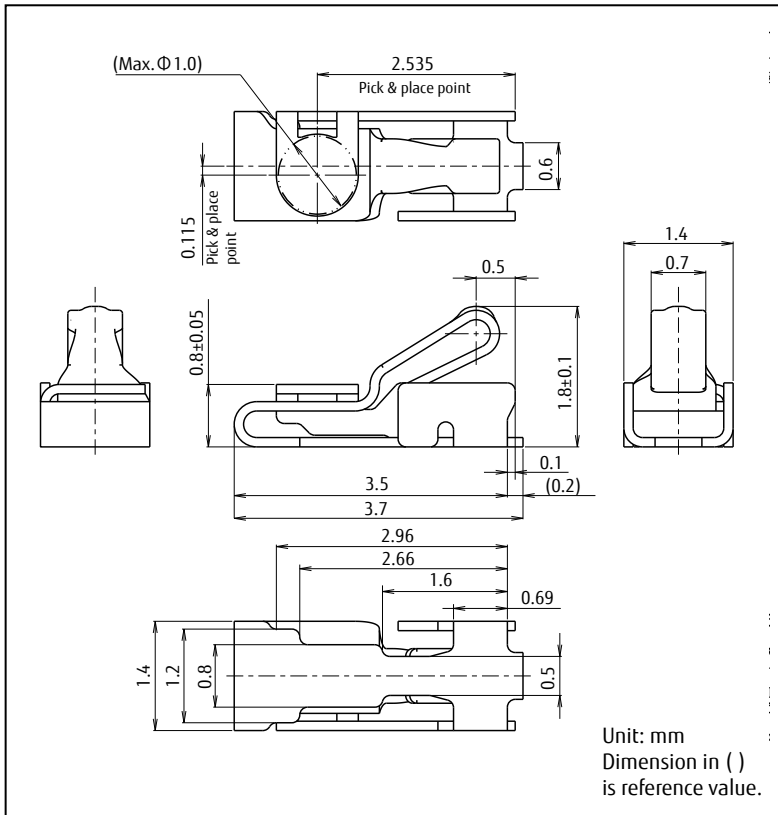
■ Recommended metal mask layout



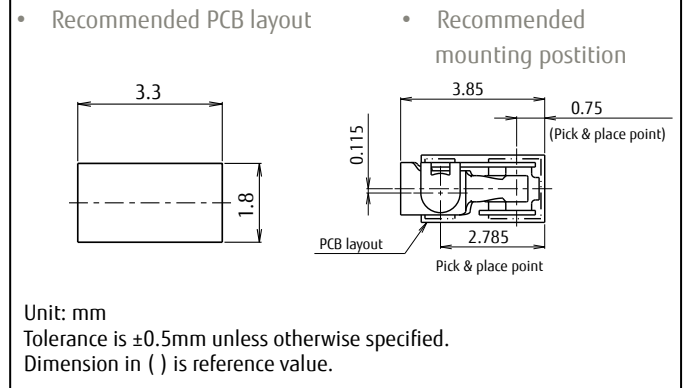
■ Packaging



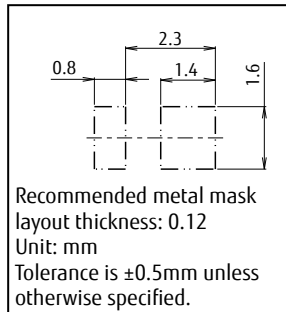
■ FCN-118X004-G/O
 ■ Dimensions



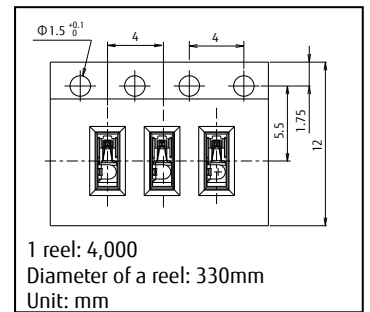
■ Mounting Position



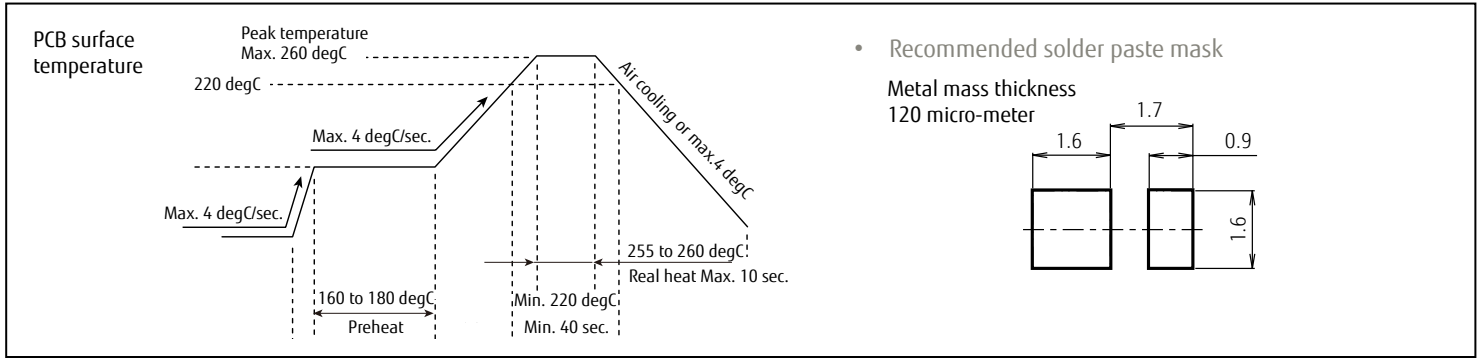
■ Recommended metal mask layout



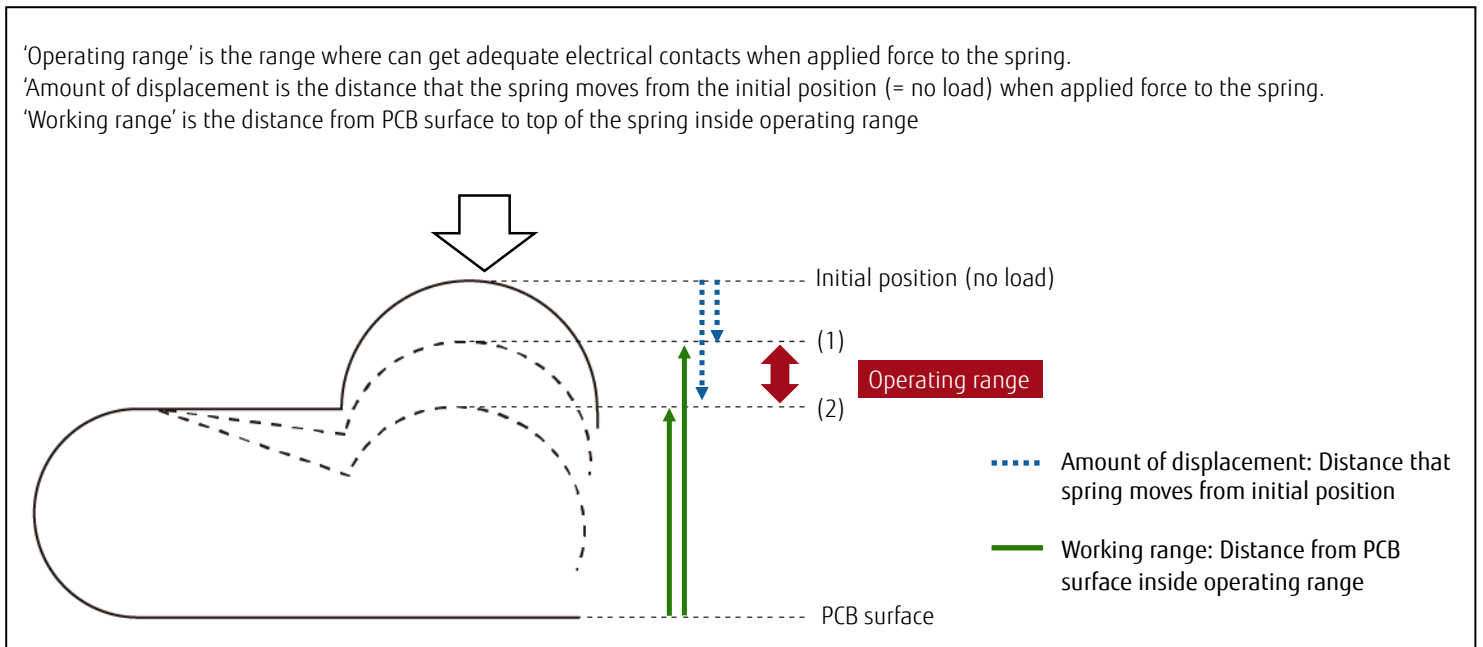
■ Packaging



Recommended Soldering Conditions



Amount of displacement and working range



Contact

Japan
 FUJITSU COMPONENT LIMITED
 Shinagawa Seaside Park Tower
 12-4, Higashi-shinagawa 4-chome,
 Tokyo 140 0002, Japan
 Tel: (81-3) 3450-1681
 Fax: (81-3) 3474-2385
 Email: fcl-contact@cs.jp.fujitsu.com
 Web: www.fujitsu.com/jp/group/fcl/en/

Europe
 FUJITSU COMPONENTS EUROPE B.V.
 Diamantlaan 25
 2132 WV Hoofddorp
 Netherlands
 Tel: (31-23) 5560910
 Fax: (31-23) 5560950
 Email: info@fceu.fujitsu.com
 Web: emea.fujitsu.com/components/

China
 FUJITSU ELECTRONIC COMPONENTS
 (SHANGHAI) CO., LTD.
 Unit 4306, InterContinental Center
 100 Yu Tong Road, Shanghai 200070, China
 Tel: (86 21) 3253 0998 / Fax: (86 21) 3253 0997
 Email: fcal@sg.fujitsu.com
 www.fujitsu.com/sg/products/devices/
 components/

Korea
 FUJITSU COMPONENTS KOREA, LTD.
 Alpha Tower #403,
 645 Sampyeong-dong,
 Bundang-gu, Seongnam-si,
 Gyeonggi-do, 13524 Korea
 Tel: (82 31) 708-7108
 Fax: (82 31) 709-7108
 Email: fcal@sg.fujitsu.com
 www.fujitsu.com/sg/products/
 devices/components/

North and South America
 FUJITSU COMPONENTS AMERICA, INC.
 2290 North First Street, Suite 212
 San Jose, CA 95131 U.S.A.
 Tel: (1-408) 745-4900
 Fax: (1-408) 745-4970
 Email: components@us.fujitsu.com
 Web: http://us.fujitsu.com/components/

Asia Pacific
 FUJITSU COMPONENTS ASIA, Ltd.
 102E Pasir Panjang Road
 #01-01 Citilink Warehouse Complex,
 Singapore 118529
 Tel: (65) 6375-8560 / Fax: (65) 6273-3021
 Email: fcal@sg.fujitsu.com
 www.fujitsu.com/sg/products/devices/
 components/

Hong Kong
 FUJITSU COMPONENTS HONG KONG Co., Ltd.
 Room 06, 28/F, Greenfield Tower, Concordia
 Plaza, No.1 Science Museum Road,
 Tsim Sha Tsui East, Kowloon, Hong Kong
 Tel: (852) 2881 8495 Fax: (852) 2894 9512
 Email: fcal@sg.fujitsu.com
 www.fujitsu.com/sg/products/devices/
 components/

Copyright

All trademarks or registered trademarks are the property of their respective owners. Fujitsu Components America or its affiliates do not warrant that the content of datasheet is error free. In a continuing effort to improve our products Fujitsu Components America, Inc. or its affiliates reserve the right to change specifications/datasheets without prior notice. Copyright ©2018 Fujitsu Components America, Inc. All rights reserved. Revised January 9, 2018.

X-ON Electronics

Largest Supplier of Electrical and Electronic Components

Click to view similar products for [EMI Gaskets, Sheets, Absorbers & Shielding](#) category:

Click to view products by [Fujitsu](#) manufacturer:

Other Similar products are found below :

[8101010140](#) [8563-0090-89](#) [1194-7.7X10](#) [1245-34"X18YD](#) [1267](#) [1345-3/8x18yrd](#) [1380-2"X8"](#) [1554907-1](#) [2320002000](#) [2320014700](#)
[SG293037DS](#) [ST005PCN50](#) [3070-500-STD](#) [55005107](#) [38M4040AA0606](#) [46J5N02020.NN00](#) [1125-8X10](#) [1126X1"](#) [1170-3/4X18YDS](#) [1170-7.7x10](#) [1183-12"X18YD](#) [6-34T-BD-0.315](#) [SG125187D-24](#) [SG125250R-24](#) [SG187375R-24](#) [SG284050DS](#) [8402010540](#) [KIT TECH CLIP](#)
[1194](#) [10-40450-28S](#) [1245](#) [3013350A](#) [1267-1/2"x18yd](#) [46J8501020.NN00](#) [1170-1/4"x18yd](#) [3013310A](#) [1194X1"](#) [3020604](#) [3021302](#) [3031313](#)
[3021310](#) [6-34UT-070-BD-16](#) [303076048](#) [46J5N03020.NN00](#) [30395641](#) [3030403](#) [3690103020](#) [46X7501020.NN00](#) [302095032](#)
[46J5N02520.NN00](#)