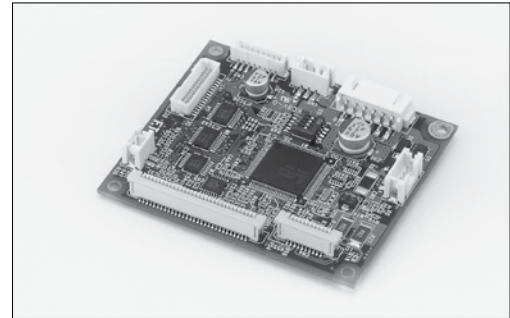


INTERFACE BOARDS FOR 24V

FTP-629DCL014/018, DSL034/038

■ HIGHLIGHTS

- 24V FTP-609 I/F board for 2- and 3-inch mechanisms
- Supports parallel or serial I/F
- Supports bar code and graphics
- Windows®2000/XP, Linux drivers
- UL File No. E171434
- RoHS compliant



■ PART NUMBERS

Part Number	Interface Type	Kanji	Drivers	Mechanism Part Number
FTP-629DCL014R - DISCONTINUED	Parallel (Centronics)	no	Windows® 2000/XP, Linux	FTP-629MCL054 FTP-629MCL103 FTP-629MCL354 FTP-629MCL383#01, #02 FTP-639MCL054 FTP-639MCL103 FTP-639MCL354 FTP-639MCL383#01, #02
FTP-629DCL018R		supports		
FTP-629DSL034R - DISCONTINUED	Serial (RS-232C)	no		
FTP-629DSL038R		supports		

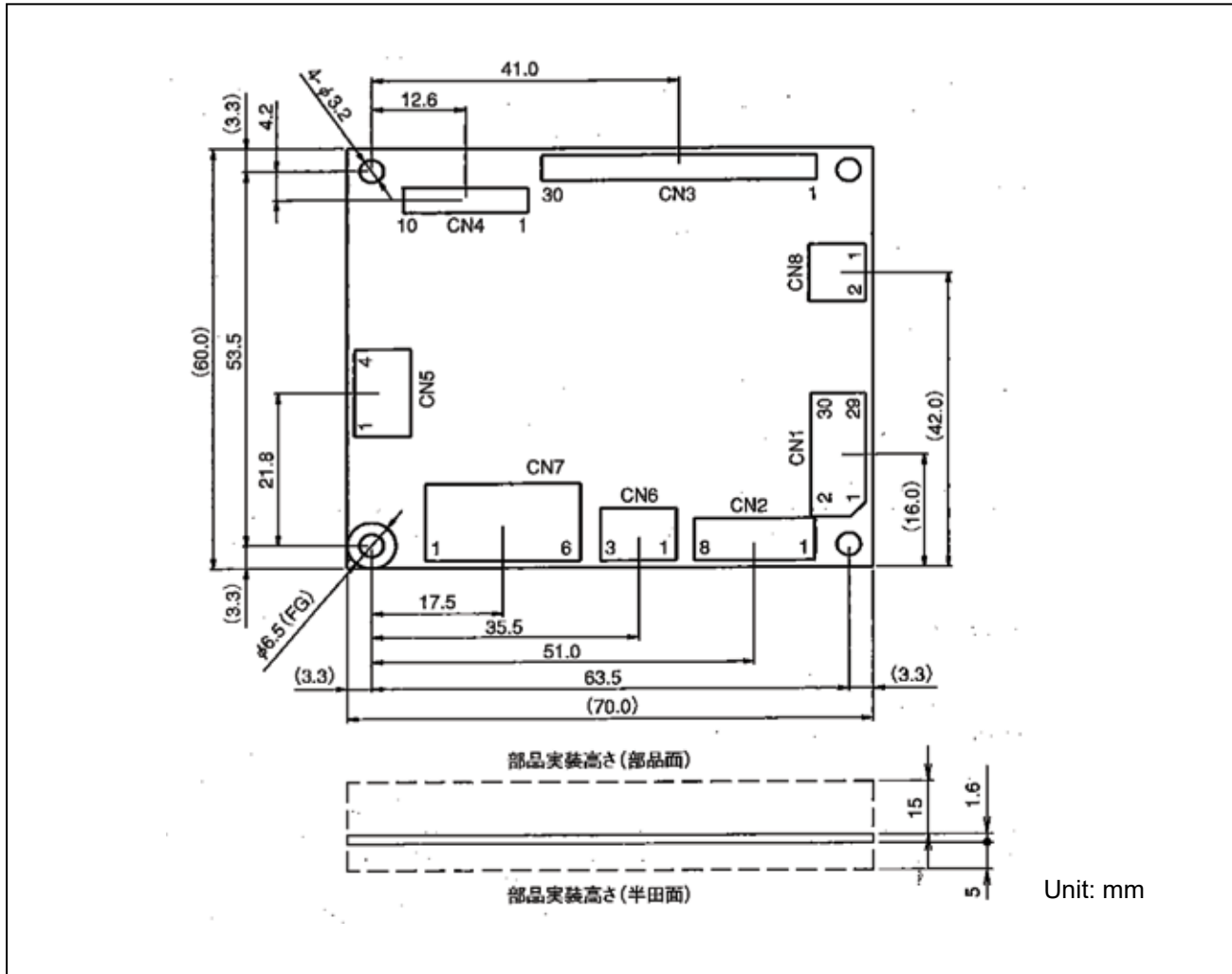
■ INTERFACE SPECIFICATION AT HOST SIDE

Item	Specifications	
Centronics	Data speed: Synchronous method: Handshake: Input/output level:	28,000 bytes/sec. Extended strobe pulse BUSY/ACKNLG signal CMOS
RS-232C	Data speed: Synchronous method: Handshake: Input/output level:	19,200 / 9,600 kbps Full duplex DTR/DSR, XON/XOFF control RS-232C

■ DIP SWITCH SETTING DSW1

Bit No.	Setting Function	Setting	Description
1	Baud rate	OFF ON	19,200 bps 9,600 bps
2	Communication	OFF ON	DTR/DSR control XON/XOFF control
3	Receiving buffer size	OFF ON	4096 byte 45 byte
4	Parity	OFF ON	No use of parity Use of parity

■ DIMENSIONS



1.2 Control circuit board connector types

Symbol	Name	Function	FTP-629 DCL014	FTP-629 DCL018	FTP-629 DSL034	FTP-629 DSL038
CN1	Parallel (Centronics)	Parallel (Centronic) connection	O	O	X	X
CN2	Serial I/F (RS232-C)	Serial (RS-232C) connection	X	X	O	O
CN3	Head	Thermal head connection	O	O	O	O
CN4	Motor	Platen motor connection	O	O	O	O
CN5	Cutter	Cutter/motor connection	O	O	O	O
CN6	Logic	Logic connection	O	O	O	O
CN7	Power	Head/motor connection	O	O	O	O
CN8	Near end	Near end switch connection	O	O	O	O

■ INTERFACE

1. Centronics standard

(1) Connector (CN1)

Connector part number : BM30B-SRDS-G-TFC (J.S.T.) or equivalent

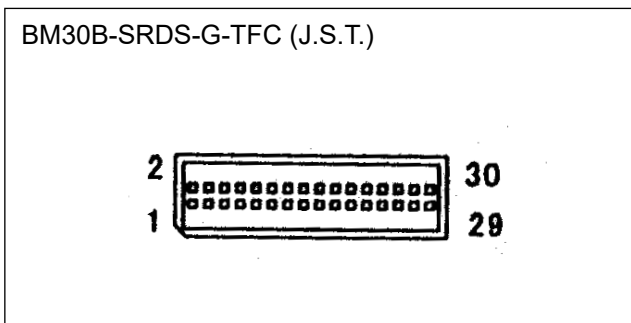
Mating connector part number : SHDR-30V-S-B (J.S.T.) or equivalent

(2) Connector pin assignment

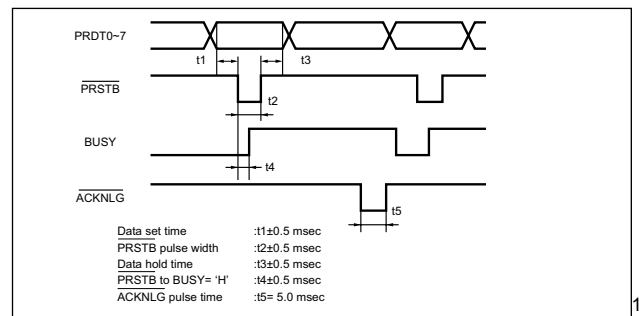
No.	Signal	I/O	Contents	No.	Signal	I/O	Contents
1	$\overline{\text{PRSTB}}$	I	Data strobe	2	$\overline{\text{PRSTB-RET}}$	—	Connected to logic GND
3	PRDT0	I	Data 0	4	PRDT0-RET	—	Connected to logic GND
5	PRDT1	I	Data 1	6	PRDT1-RET	—	Connected to logic GND
7	PRDT2	I	Data 2	8	PRDT2-RET	—	Connected to logic GND
9	PRDT3	I	Data 3	10	PRDT3-RET	—	Connected to logic GND
11	PRDT4	I	Data 4	12	PRDT4-RET	—	Connected to logic GND
13	PRDT5	I	Data 5	14	PRDT5-RET	—	Connected to logic GND
15	PRDT6	I	Data 6	16	PRDT6-RET	—	Connected to logic GND
17	PRDT7	I	Data 7	18	PRDT7-RET	—	Connected to logic GND
19	$\overline{\text{ACKNLG}}$	O	Data input acknowledge	20	$\overline{\text{ACKNLG-RET}}$	—	Connected to logic GND
21	BUSY	O	Busy	22	BUSY-RET	—	Connected to logic GND
23	RINF2	O	Printer status	24	$\overline{\text{INPRM-RET}}$	—	Connected to logic GND
25	$\overline{\text{SLCTIN}}$	I	Printer select	26	$\overline{\text{INPRM}}$	I	Reset
27	RINF1	O	Printer status	28	RINF3	O	Printer status
29	$\overline{\text{ATF}}$	I	Paper feed request	30	GND	—	Logic GND

- Notes:
- Symbol “—” means a negative logic signal.
 - “-RET” signal is a return signal of the twisted pair cable.
 - “I” or “O” means a signal direction from the interface board side.

(3) Connector pin number



(4) Data input signal timing



(5) Printer Status Signal

	Error	RINF 1	RINF 2	RINF 3
1	Paper out	Low	High	Low
2	Paper near-end	High	High	Low
3	Head-up	High	Low	Low
4	Abnormal head temperature	High	Low	High
5	Abnormal head voltage	Low	High	High
6	Hardware abnormality	High	High	High
7	Mark detection abnormality	Low	Low	Low
8	Normal	Low	Low	High

2. RS-232C standard

(1) Connector (CN2)

Connector part number : B8B-ZR-SM4A-TFT (J.S.T.) or equivalent

Mating connector part number : ZHR-8 (J.S.T.) or equivalent

(2) Connector pin assignment

No	Signal	I/O	Contents	No	Signal	I/O	Contents
1	RD	I	Receive Data	2	TD	O	Transmission data
3	DTR	O	Data terminal ready	4	GND		Signal ground
5	DSR	I	Data set ready	6	$\overline{\text{SLCTIN}}$	I	Printer select
7	$\overline{\text{INPRM}}$	I	Reset	8	$\overline{\text{AFT}}$	I	Paper feed request

Notes:

- Symbol " $\overline{\quad}$ " means a negative logic signal.
- "I" or "O" means a signal direction from the interface board side.

■ CONNECTOR PIN ASSIGNMENT OF INTERFACE BOARD

1. Thermal head control circuit side (CN3)

Part number : 52610-3071 (Molex) or equivalent

No	Signal	I/O	Contents	No	Signal	I/O	Contents
1	HUP	O	Platen open signal	2	+5 V	-	Power for logic
3	+24V	-	Power for thermal head	4	+24 V	-	Power for thermal head
5	+24V	-	Power for thermal head	6	+24 V	-	Power for thermal head
7	HDO	O	Data out	8	$\overline{\text{STB2/STB3}}$	O	Print enable 2/3
9	$\overline{\text{STB3/STB4}}$	O	Print enable 3/4	10	+5 VDD	-	Power for thermal head
11	GND	-	Head GND	12	GND	-	Head GND
13	$\overline{\text{GND}}$	-	Head GND	14	GND	-	Head GND
15	GND	-	Head GND	16	GND	-	Head GND
17	GND	-	Head GND	18	GND	-	Head GND
19	GND	-	Head GND	20	GND	-	Head GND
21	TMP	I	Thermistor input	22	$\overline{\text{STB1}}$	O	Print enable 1
22	$\overline{\text{STB4/STB2}}$	O	Not connected / Head control signal 2*	24	$\overline{\text{LAT}}$	O	Print data latch
25	HCLK	O	Clock signal	26	HDI	I	Data input
27	+24V	-	Power for thermal head	28	+24V	-	Power for thermal head
29	+24V	-	Power for thermal head	30	+24V	-	Power for thermal head

*: FTP629MCL: NC FTP-639MCL: STB4

2. Motor, Sensor (CN4)

Connector on circuit side : 52610-1071 (Molex) or equivalent

No.	Signal	I/O	Contents	No.	Signal	I/O	Contents
1	NC	-	Not connected	2	TM	I	Motor temperature signal
3	GND +5V	-	Logic ground	4	MT $\overline{\text{A}}$	I/O	Motor coil excitation A
5	MT A	I/O	Motor coil excitation A	6	MT $\overline{\text{B}}$	I/O	Motor coil excitation B
7	MT B	I/O	Motor coil excitation B	8	PESK	-	Logic
9	+5V	-	Power for logic	10	$\overline{\text{PES}}$	I	Paper out signal

■ CONNECTOR PIN ASSIGNMENT OF INTERFACE BOARD

3. Connector for Cutter (CN5)

Connector part number : B4B-PH-SM3-TP (J.S.T) or equivalent (P.C.B. side)

Mating connector part number : PHR-4 (J.S.T.) or equivalent

No	Signal	I/O	Contents	No	Signal	I/O	Contents
1	CHP	I	Cutter home position signal	2	GND	I	Ground
3	MT+	O	Cutter motor driving signal	4	MT-	O	Cutter motor driving signal

4. Connector for Logic Power Supply (CN6)

Connector part number : *B3B-PH-SM4-TB (J.S.T) or equivalent (P.C.B. side)

Mating connector part number : PHR-3 (J.S.T.) or equivalent

No	Signal	I/O	Contents	No	Signal	I/O	Contents
1	+V5	-	Power for logic	2	NC	-	No connection
3	GND	-	Ground of logic				

5. Connector for Head, Motor Power Supply (CN7)

Connector part number : *S6B-XH-SM4-TB (J.S.T) or equivalent (P.C.B. side)

Mating connector part number : XHR-6(J.S.T.) or equivalent

No	Signal	I/O	Contents	No	Signal	I/O	Contents
1	+24V	-	Power for head	2	+24V	-	Power for head
3	+24V	-	Power for head	4	GND	-	Ground
5	GND	-	Ground	6	GND	-	Ground

6. Connector for Paper Near-End sensor (CN8)

Connector part number : *B2B-PH-SM4-TB (J.S.T) or equivalent (P.C.B. side)

Mating connector part number : PHR-2 (J.S.T.) or equivalent

No	Signal	I/O	Contents	No	Signal	I/O	Contents
1	+V5	-	Power for logic	2	NES	I	Paper near-end signal

■ COMMANDS

Command	Contents
HT	Moves print position to the next tab.
LF	Line feed.
FF	Feeds forms (new page).
ESC EM+n	Setting the amount of the feeding at automatic paper feed.
ECS RS	Sets reverse printing.
ESC US	Resets reverse printing.
ESC ! + n	Sets print mode.
ESC % + n	External registration character specification/cancellation.
ESC & +y+c1+c2+x+d1 to dn	External registration character definition.
ESC *+m+n1+n2+d1+dN	Sets bit image mode.
ESC 2	Sets 1/6 inch line feed length.
ESC 3+n	Sets the line feed length.
ESC ? + n	External registration character deletion.
ESC @	Printer initialization.
ESC A+n	Sets the space between the line.
ESC C+n	Sets the page length by character line.
ESC D+d1+dN +NUL	Sets the tab position.
ESC J+n	Feeds paper in forward direction and prints.
ESC K+n	Reverse paper feed.
ESC R+n	Selects international character.
ESC V+n	Right Rotation 90° specification / cancellation.
ESC X+m+n	Setting the turning time of the motor excitation.
ESC c+1+n	Sets internal processing.
ESC d+n	Printing and n-line feeding.
ESC e+n	Prints and reverse feeds n-lines.
ESC s+n	Sets printing speed.
ESS t+n	Character code table selection.
ESC Y+01n+xa+00h+n* ¹	Performs check ... of Kanji data
ESC {+n	Sets/resets upside down printing.
FS !+n	Kanji printing mode collective specification (valid only for FTP-629DSL038).
FS &	Kanji printing mode specification (valid only for FTP-629DSL038).
FS *+m+n1+n2+d1 to dn	High speed collective image printing specified.

Commands continued

Command	Contents
FS .	Kanji printing mode cancellation (valid only for FTP-629DSL038).
FS 9+n	Sets the detection functions.
FS C+n	Kanji code system selection (valid only for FTP-629DSL038).
FS E+n	Correction of impressed energy.
FS W+n* ¹	Kanji double height and width printing specification/cancellation.
FS r+n	Parameter transmission (serial mode)..
GS &+m+x+y1+y2+d1 to dN	Registration of image data.
GS '+m+n	Prints registered image data.
GS <	Line feeds to the next mark.
GS A+m+n	Sets the line feed length after mark detection.
GS E+n	Sets print quality.
GS V+n+m	Paper cutting (this command is only available for chip).
GS e+n+m	Sets bar code width.
GS h+n	Sets bar code height.
GS k+m+n+d1+dN	Selects bar code type and prints.
GS w+n	Sets bar code length.
GS a+n	Setting and cancellation of auto status transmission (serial mode).

*1: These commands are valid with FTP-629DSL038 series.

■ OPTIONS

1. Cable

Name		Part Number	Cable length
Interface cable (board to mechanism)	Centronics	FTP-628Y202	500mm (19.7 inch)
	RS-232C	FTP-628Y30 2	500mm (19.7 inch)
Power supply cable	Logic	FTP-629Y402	300mm (11.8 inch)
	Head/motor	FTP-629Y602	300mm (11.8 inch)

2. Driver LSI for Control Board

Name	Part Number	Quantity / Tray	Remarks
MCU	FTP-629CU101	90	

3. Paper Holder

Name	Part Number
Flange	FTP-040HF
Stand	FTP-040HS

Contact

Japan

FUJITSU COMPONENT LIMITED
Shinagawa Seaside Park Tower
12-4, Higashi-shinagawa 4-chome,
Tokyo 140 0002, Japan
Tel: (81-3) 3450-1682
Fax: (81-3) 3474-2385
Email: fcl-contact@cs.jp.fujitsu.com
Web: www.fujitsu.com/jp/group/fcl/en/

North and South America

FUJITSU COMPONENTS AMERICA, INC.
1230 E. Arques Ave., M/S 160
Sunnyvale, CA 94085 U.S.A.
Tel: (1-408) 745-4900
Fax: (1-408) 745-4970
Email: components@us.fujitsu.com
Web: http://us.fujitsu.com/components/

Europe

FUJITSU COMPONENTS EUROPE B.V.
Diamantlaan 25
2132 WW Hoofddorp
Netherlands
Tel: (31-23) 5560910
Fax: (31-23) 5560950
Email: info@fceu.fujitsu.com
Web: emea.fujitsu.com/components/

Asia Pacific

FUJITSU COMPONENTS ASIA, Ltd.
102E Pasir Panjang Road
#01-01 Citilink Warehouse Complex,
Singapore 118529
Tel: (65) 6375-8560 / Fax: (65) 6273-3021
Email: fcal@sg.fujitsu.com
www.fujitsu.com/sg/products/devices/
components/

China

FUJITSU ELECTRONIC COMPONENTS
(SHANGHAI) CO., LTD.
Unit 4306, InterContinental Center
100 Yu Tong Road, Shanghai 200070, China
Tel: (86 21) 3253 0998 /Fax: (86 21) 3253 0997
Email: fcsh@cn.fujitsu.com
www.fujitsu.com/cn/products/devices/
components/

Hong Kong

FUJITSU COMPONENTS HONG KONG Co., Ltd.
Room 06, 28/F, Greenfield Tower, Concordia
Plaza, No.1 Science Museum Road,
Tsim Sha Tsui East, Kowloon, Hong Kong
Tel: (852) 2881 8495 Fax: (852) 2894 9512
Email: fcal@sg.fujitsu.com
www.fujitsu.com/sg/products/devices/
components/

Korea

FUJITSU COMPONENTS KOREA, LTD.
Alpha Tower #403,
645 Sampyeong-dong,
Bundang-gu, Seongnam-si,
Gyeonggi-do, 13524 Korea
Tel: (82 31) 708-7108
Fax: (82 31) 709-7108
Email: fcal@sg.fujitsu.com
www.fujitsu.com/sg/products/
devices/components/

Copyright

All trademarks or registered trademarks are the property of their respective owners. Fujitsu Components America or its affiliates do not warrant that the content of datasheet is error free. In a continuing effort to improve our products Fujitsu Components America, Inc. or its affiliates reserve the right to change specifications/datasheets without prior notice. Copyright ©2020 Fujitsu Components America, Inc. All rights reserved. Revised April 9 2020.

X-ON Electronics

Largest Supplier of Electrical and Electronic Components

Click to view similar products for [Printers category](#):

Click to view products by [Fujitsu manufacturer](#):

Other Similar products are found below :

[897252-000](#) [CU0620-000](#) [F39639-000](#) [FTP-648MCL570](#) [PTMBL1912A](#) [PWC-L07A1-W1-E](#) [DPU-V445-10B-E](#) [D-SCE-12-50-S1-4](#) [D-SCE-3.2-50-S1-4](#) [IF2302-01UK-E](#) [IF9001-01P-E](#) [IFC-001K](#) [2000P-RIBBON-4AG-MED](#) [206868-000](#) [OP-LH200A-E](#) [LB1256-E](#) [LM-1/4-TUBE-WE](#) [308-LE](#) [SMS-V-19-9](#) [ACUH205A-E](#) [1813390001](#) [FTP-040P001](#) [FTP-628CU601R](#) [PW-C0725-W2-U](#) [HANDHELD-TMS-3.9-9](#) [3045950001](#) [351013-000](#) [RH-48-00-E](#) [4775630001](#) [TSK-508406-2.5CS8982](#) [TTC-PRINTER-PRINthead-300](#) [HW-762254-5-9](#) [IF2301-01B](#) [IFC-001K-E](#) [IFH001-01B](#) [LM-1/2-TUBE-WE](#) [DPU-D3-01A-E](#) [D-SCE-12-50-9](#) [D-SCE-4.8-50-4](#) [094514-000](#) [E64127-000](#) [5530290001](#) [ED4839-000](#) [T200-IDENT-DR4-DRIVEROLLER](#) [CP3963-000](#) [T208M-PRINthead](#) [2000P-RIBBON-4AG-NAR](#) [2000P-RIBBON-WH-MED](#) [U001023895X1](#) [FTP-624Y002](#)