

# FUJITSU Component Thermal Printer FTP-66E Series (6-inch thermal printer)

Fujitsu 12/24V, 6" high speed, easy loading thermal printer

## Overview

The easy loading FTP-66E MCL Series is ultra compact high speed, 12/24V driven thermal printer, printing on 6-inch wide paper (156mm) where platens are removable. Our original platen removal mechanism improved paper loading and maintenance.

The FTP-66E MCL series can be used for a variety of applications, such as measurement and medical equipment, banking, and banking terminals.

## Features

- **Compact 6-inch mechanism**  
Small size, 6-inch wide paper (max. paper width 156mm)
- **Platen open structure**  
Easy paper set or jam release / easy maintenance
- **High speed printing**  
It can print at 100mm/s at 24V driving
- **Label paper available**  
Straight paper pass
- **UL File No. E171434**

RoHS compliant



FTP-66EMCL101

Item	Part Number
Printer mechanism	FTP-66EMCL101
LSI for driving	TBD
Interface board	FTP-62EDSL011#01
Head extension cable	FTP-62EY001
USB cable	FTP-629Y301#01
Power cable	FTP-629Y601

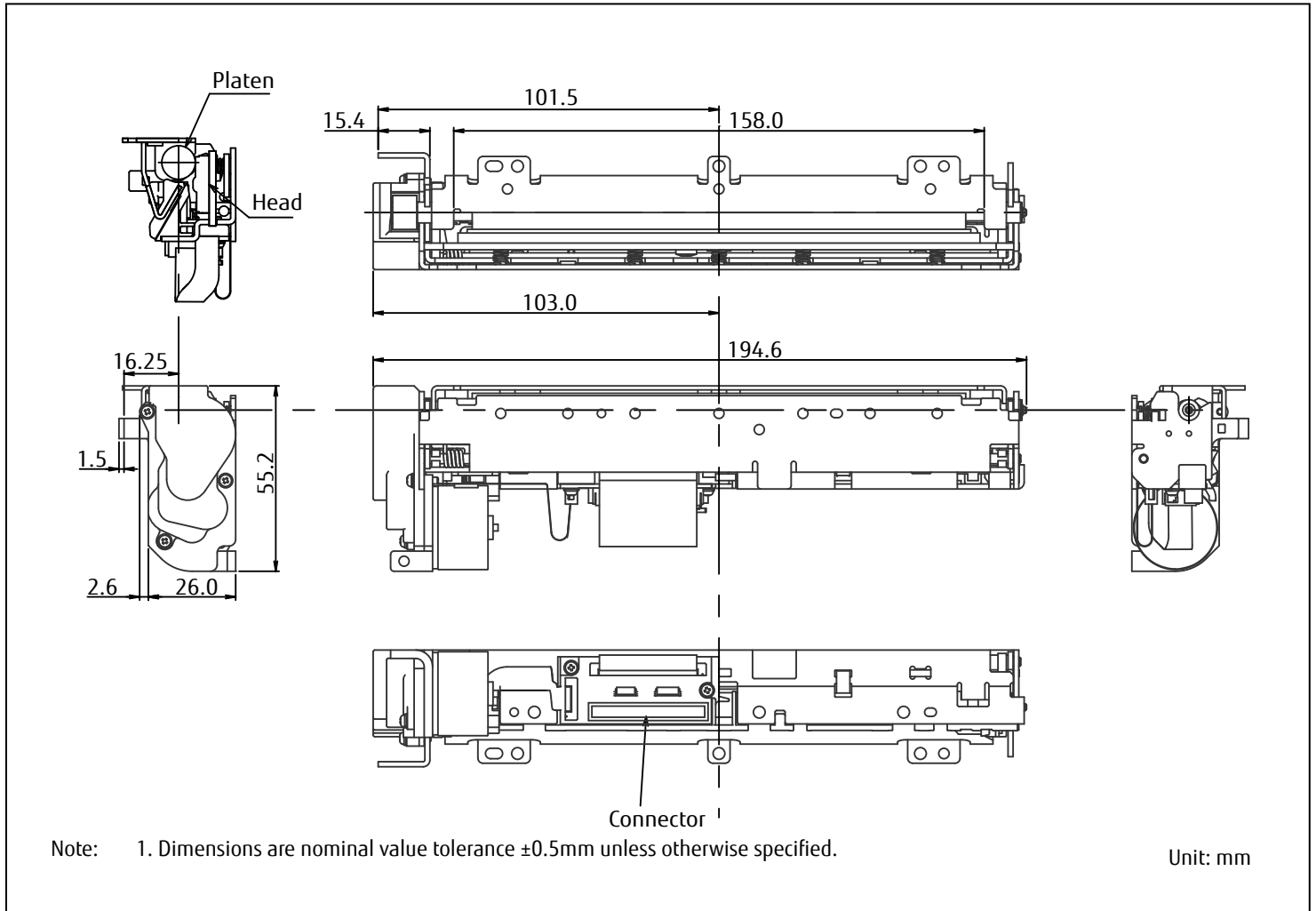
Item	Specifications		
Part number	FTP-66EMCL101		
Printing method	Thermal-line dot method		
Dot structure	1152 dots/lines		
Dot pitch (horizontal)	0.125mm (dot density: 8 dots/mm)		
Dot pitch (vertical)	0.125mm (dot density: 8 dots/mm)		
Effective printing area	144mm		
Paper	Width	156mm	
	Thickness	60µm to 100µm	
Operating voltage	Head	For print	At 12V driving: 12VDC ±10%, approx. 8.0A (applied dot number 583 dots) At 24V driving: 24VDC ±10%, approx. 8.0A (applied dot number 256 dots)
		For logic	3.0VDC to 3.6VDC or 4.75VDC to 5.25VDC, 0.2A maximum
	Motor	For print	12V driving: 12VDC ±10%, 0.6A at single-phase excitation, 0.8A at double-phase excitation 24V driving: 24VDC ±10%, 0.6A at single-phase excitation, 0.8A at double-phase excitation
Printing speed	At 12V driving: max. 50mm/sec. (400 dotlines/sec.)* At 24V driving: max. 100mm/sec. (800 dotlines/sec.)*		
Dimensions	Printer mechanism	194.6 x 55.2 x 26.0mm (WxDxH, except flexible printed board and projection portion)	
Weight	Printer mechanism	Approximately 430g	
Head life	Pulse resistance	100 million pulse/dot (under FCL standard conditions)	
	Wear resistance	Paper traveling distance 50km (print ratio: 12.5%, using specified thermal paper)	
Operating environment	Operating temperature**	0°C to 50°C	
	Operating humidity	12 to 85% RH (no frost)	
	Storage temperature	-10°C to +60°C	
	Storage humidity	5 to 90% RH (excluding paper, no frost)	
Detection function	Head temperature detection	Thermistor	
	Paper out / mark detection	Photo sensor	
Recommended thermal sensitive paper	High sensitive paper	TF50KS-E	
	Standard paper	PD150R, TF60KS-E	
	Medium life storage paper	PD170R, TP60KS-F1, P220VBB-1	
	Long life storage paper	PD160R	

\*: at 25°C, high speed printing mode, using specified thermal paper)

\*\*\*: +5° to +40°C printing density assurance range (with Oji paper PD150R)

■ Dimension

- Printer mechanism: 6-inch



■ Option

Item	Part Number	MOQ
Lever cap	FTP-68EMP0495	20 pieces

■ Interface board

Standard interface board is not available. We only offer an evaluation board. Please contact our sales office for details.

**Contact**

**Japan**

FUJITSU COMPONENT LIMITED  
Shinagawa Seaside Park Tower  
12-4, Higashi-shinagawa 4-chome,  
Tokyo 140 0002, Japan  
Tel: (81-3) 3450-1682  
Fax: (81-3) 3474-2385  
Email: fcl-contact@cs.jp.fujitsu.com  
Web: www.fujitsu.com/jp/fcl/

**North and South America**

FUJITSU COMPONENTS AMERICA, INC.  
2290 North First Street, Suite 212  
San Jose, CA 95131 U.S.A.  
Tel: (1-408) 745-4900  
Fax: (1-408) 745-4970  
Email: components@us.fujitsu.com  
Web: http://us.fujitsu.com/components/

**Europe**

FUJITSU COMPONENTS EUROPE B.V.  
Diamantlaan 25  
2132 WV Hoofddorp  
Netherlands  
Tel: (31-23) 5560910  
Fax: (31-23) 5560950  
Email: info@fceu.fujitsu.com  
Web: www.fujitsu.com/uk/components/

**Asia Pacific**

FUJITSU COMPONENTS ASIA, Ltd.  
102E Pasir Panjang Road  
#01-01 Citilink Warehouse Complex,  
Singapore 118529  
Tel: (65) 6375-8560 / Fax: (65) 6273-3021  
Email: fcal@sg.fujitsu.com  
www.fujitsu.com/sg/products/devices/components/

**China**

FUJITSU ELECTRONIC COMPONENTS  
(SHANGHAI) CO., LTD.  
Unit 4306, InterContinental Center  
100 Yu Tong Road, Shanghai 200070, China  
Tel: (86 21) 3253 0998  
Fax: (86 21) 3253 0997  
Email: fcal@sgfujitsu.com  
www.fujitsu.com/sg/products/devices/components/

**Hong Kong**

FUJITSU COMPONENTS HONG KONG Co., Ltd.  
Unit 503, Inter-Continental Plaza,  
No.94 Granville Road,  
Tsim Sha Tsui Kowloon, Hong Kong 118529  
Tel: (852) 2881 8495 Fax: (852) 2894 9512  
Email: fcal@sg.fujitsu.com  
www.fujitsu.com/sg/products/devices/components/

**Copyright**

All trademarks or registered trademarks are the property of their respective owners. Fujitsu Components America or its affiliates do not warrant that the content of datasheet is error free. In a continuing effort to improve our products Fujitsu Components America, Inc. or its affiliates reserve the right to change specifications/ datasheets without prior notice. Copyright ©2016 Fujitsu Components America, Inc. All rights reserved. Revised May 10, 2016

## X-ON Electronics

Largest Supplier of Electrical and Electronic Components

*Click to view similar products for [USB Cables / IEEE 1394 Cables](#) category:*

*Click to view products by [Fujitsu](#) manufacturer:*

Other Similar products are found below :

[68768-0173](#) [FNY-W6003-01](#) [88764-0800](#) [148700-1](#) [17-200621](#) [17-250051P](#) [954](#) [17-200261](#) [AC102012-1](#) [AC102012-2](#) [FTP-629Y601](#) [45-1345-15](#) [45-1358-15](#) [45-1363-15](#) [IP-USB1\(C10\)S-RW](#) [CABLE/RTP/USB/DT](#) [45-1351-15](#) [45-1357-15](#) [45-1433-1](#) [687680278](#)  
[USBFTVX2SA2N03A](#) [USBFTV2SA2N03A](#) [USBFTV2SA2N05A](#) [MDM9PH004B](#) [MDM9PH004P](#) [FTP-629Y401](#) [FTP-628Y302](#) [FTP-628Y402](#) [CSMNB9MF-5](#) [FNY-W6022](#) [UA-30AMF-SD7B03](#) [UA-30AMFM-SL7B03](#) [USBAPSCC7202A](#) [UES-1001A160](#) [UES-1003A160](#)  
[USBFTVX7SA2N20A](#) [USBFTV2PEMSA2N10A](#) [FTP-629Y602](#) [USBCAMCM100](#) [USB A/F\\*2 to 2.54 2\\*5P-SH L=400mm](#) [68784-0075](#)  
[USB-29](#) [19800-010500-200-RS](#) [103-1092-BL-F0050](#) [103-1020-BL-00100](#) [103-1092-BL-F0200](#) [103-1092-BL-F0100](#) [105-1092-BL-00300](#)  
[105-1092-BL-00200](#) [105-1031-BL-00200](#)