

PRELIMINARY

# FUJITSU Component Thermal Printer FTP-62GUSL001-R series (High Speed)

Fujitsu 2" high speed (150mm/s) thermal printer unit with cutter option

## Overview

The FTP-62GUSL series thermal printer (driven by 24VDC provides high speed printing (150mm/s) for 2-inch wide paper.

The series is suitable for a variety of applications, such as POS/ECR, kiosk terminals, ticket machines, banking machines, measuring devices, medical equipment, etc.



FTP-62GUSL001

## Features

- **High-speed printing**  
It can print at 150mm/s (1200 dotlines/s) maximum by using Fujitsu Components' unique head drive control
- **Rear paper insertion mechanism with lock type**  
Fujitsu Components' unique platen release mechanism allows straight paper path and easy head maintenance
- **Auto Cutter**  
Printer with auto cutter (full cut/partial cut) is available. It can be mounted on top of the mechanism
- **Compact size**  
Depth: 93mm, width: 92mm, height: 116mm
- **High resolution**  
8 dots/mm head provides clear print out
- **RoHS compliant**

## ■ Part numbers

Item	Part Number	
Printer unit	FTP-62GUSL001#01 (Japanese font types)	
	FTP-62GUSL001#02 (Traditional Chinese font types)	
Interface cable	USB	FTP-62GY301
	RS-232C	FTP-62GY302
Power supply cable	Logic, head, motor	FTP-62GY601

## ■ Specifications

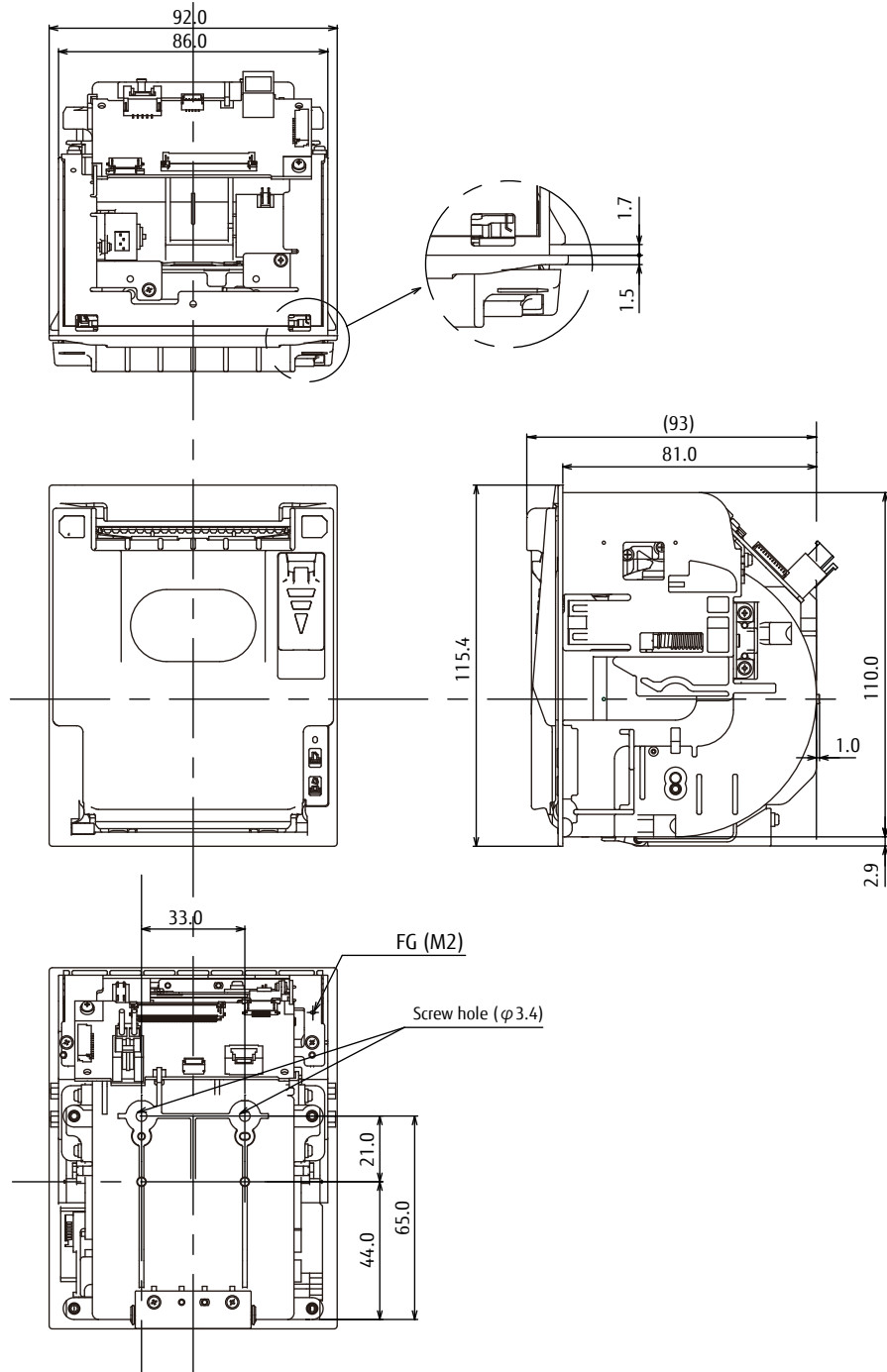
Item	Specifications	
Part number	FTP-62GUSL001#01	FTP-62GUSL001#02
Printing method	Thermal sensitive line dot method	
Dot structure	432 dots/lines	
Dot pitch (horizontal)	0.125mm (8 dots/mm) - Dot density	
Dot pitch (vertical)	0.125mm (8 dots/mm) - Line feed pitch	
Effective printing area	54mm	
Number of columns	ANK 36 columns/line (12 x 24 x dot font)	
Paper width	58mm +0/-1	
Paper thickness	60-100 $\mu$ m*1	
Cutting type	Full or partial	
Printing speed	150mm/s (1200 dot lines/s) page mode	
Character types	Alphanumeric KANA	159 types
	International and special	195 types
	OCRI	103 types
	OCRIII	23 types
	OCRIV	103 types
	Extended numeric	12 types
	Thai code 18	128 types
JIS KANJI level 1, 2, non-Kanji	JIS KANJI: approx. 6800	
Traditional Chinese		13, 503
Character dimensions (W x H), number of characters (applicable for FTP-63GUSL001#01 & #02)	8 x 16 dots, 72 columns, ANK	24 x 40 dots, 24 columns, OCRI
	12 x 24 dots, 48 columns, ANK	24 x 48 dots, 24 columns, OCRII
	16 x 16 dots, 36 columns, ANK	36 x 60 dots, 16 columns, OCRIV
	24 x 24 dots, 24 columns, ANK	24 x 48 dots, 24 columns, extended numeric
Interface standard	RS-232C, USB	

\*1: there may be exceptions

Item		Specifications
Part number		FTP-62GUSL001#01 FTP-62GUSL001#02
Power		24VDC $\pm$ 10% 3.5A (24V, concurrent applied dot numners: 128 dots)
Dimensions (WxDxH)	Printer mechanism w/ cutter	92 x 93 x 116mm
Weight	Printer unit	300g
Expected life	Head	Pulse durability: 100 million pulse/dot (using Fujitsu Components' standard driving method) Wear resistance: 100km (at 12.5% print ratio)
	Cutter	500,000 cuts min.
Environmental conditions	Operating temperature	0°C to +50°C (guaranteed)
	Operating humidity	30 to 85% RH (no condensation)
	Storage temperature	-20°C to +60°C (excluding paper)
	Storage humidity	5 to 95% RH (no condensation)
Detection functions	Head temperature	By thermistor
	Paper out/Mark detect	By photointerrupter
	Head release	By slide switch
Recommended thermal sensitive paper	High sensitive paper	TF50KS-E4 (Nippon paper)
	Standard paper	TF-60KS-E (Nippon paper) PD150R (Oji paper)
	Medium term paper	TF-60KS-F1 (Nippon paper) P220VBB-1 (Mitsubishi paper)
	Long term paper	PD160R-N (Oji paper) AFP-235 (Mitsubishi paper) TR50KJ-R (Nippon paper) HA220AA (Nippon paper)

■ Dimensions

- Printer mechanism/cutter: 2-inch



Note: 1. Dimensions are nominal value )tolerance  $\pm 5\text{mm}$  unless otherwise specified.  
2. Dimensions in ( ) is reference value.

■ Connector for power supply

- Connector for Logic, Head, Motor Power supply (CN1)

Board side: DF3-4S-2C (Hirose)

Other side: XHP-6 or equivalent

No.	Signal	I/O	Content	No.	Signal	I/O	Content
1	Vp	I	+24V power	2	Vp	I	+24V power
3	GND	-	Ground	4	GND	-	Ground

■ RS-232C standard

Connector (CN2)

Connector part number: SHR-05V-S (J.S.T.) or equivalent

Mating connector part number: (J.S.T.). or equivalent

No.	Signal	I/O	Content	No.	Signal	I/O	Content
1	RXD	I	Receive data	2	TXD	O	Transmission data
3	RTS (DTR)	O	Data terminal ready	4	GND	-	Signal ground
5	CTS (DSR)	I	Data set ready				

Note: Symbol "-" means a negative logic signal.  
"I" or "O" means a signal direction from the interface board side.

■ USB standard

- (1) Connector (CN4)

Connector part number: ZHR-5 (J.S.T.) or equivalent

Mating connector part number: (Molex). or equivalent

No.	Signal	I/O	Content	No.	Signal	I/O	Content
1	Vbus	I	Bus power supply	2	D-	I/O	Differential data I/O D- terminal
3	D+	I/O	Differential data I/O D+ terminal	4	GND	-	Signal ground
5	FG	-	Frame ground				

Note: Symbol "-" means a negative logic signal.  
"I" or "O" means a signal direction from the interface board side.

## ■ Commands

Command	Content
HT	Moves print position
LH	Line feed
FF	Feeds forms (new page)
ESC EM+n	Setting the amount of feeding at automatic paper feed
ESC RS	Sets reverse printing
ESC SP+n	Right side character spacing
ESC US	Resets reverse printing
ESC !+n	Sets print mode
ESC %+n	External registration character specification/cancellation
ESC &+y+c1+c2+x+d1 to dn	External registration character definition
ESC *+m+n1+n2+d1+dk	Set bit image mode
ESC -+n	Undeline setting
ESC 2	Sets 1/6 inch line feed length
ESC 3+n	Sets the line feed length
ESC ?+n	External registration character deletion
ESC @	Printer initialization
ESC A+n	Set the space between the line
ESC G+n	Sets the page length by character line
ESC D+n1+nk+NUL	Set the tab position
ESC J+n	Feeds paper in forward direction and prints
ESC K+n	Reverse paper feed
ESC R+n	Selects international character
ESC V+n	Right rotation 90° specification/cancellation
ESC X+n+m	Setting the turning time of the motor excitation
ESC c+1+n	Sets internal processing
ESC c+5+n	Panel switch valid/invalid setting
ESC d+n	Printing and n-line feeding
ESC e+n	Prints and reverses feeds n-line
ESC j	Full cut
ESC m	Partial cut
ESC s+n	Sets printing speed
ESC t+n	Character code table selection
ESC {+n	Sets/resets upside down printing
ESC DEL +n	Flash memory erase
FS !+n	Kanji printing mode collective specification
FS &	Kanji printing mode specification
FS *+m+n1+n2+d1 to dk	High speed collective image printing specified
FS -+n	Kanji underline specification/cancellation
FS .	Kanji printing mode cancellation
FS 2+c1+c2+d1 to dn	External character definition
FS 9+n	Sets the detection functions

## ■ Commands

Command	Content
FS C+n	Kanji code system selection
FS E+n	Correction of impressed energy
FS S+n1+n2	Kanji spacing setting
FS W+n	Kanji double height and width printing specification/cancellation
FS r+n	Parameter transmission (serial mode)
GS !+n	Character size setting
GS &+m+x+y1+y2+d1 to dn	Registered bit image definiton
GS '+m+n	Registered bit image printing
GS (+E+L1+L2+fn+d1 to d9	RS-232C communication setting
GS <	Line feeds to the next mark
GS A+m+n	Sets the line feed length after mark detection
GS E+n	Sets print quality
GS L+n1+n2	Left margin setting
GS V+m+n	Paper cutting (this command is only available for chip)
GS W+n1+n2	Setting and cancellation of auto status transmission (serial mode)
GS a+n	HRI character font selection
GS e+m+n	Sets bar code height
GS h+n	Barcode height setting
GS k+m+n+d1~dn	Selects bar code type and prints
GS k+m+k1+k2+k3+k4+{{[p1][d(1, 1)] to [d(1, j)]} to {{[pi][d(i, 1)] to [d(i, j)]}[00]	2D code (QR code) print
GS k+m+n+k+pL+pH+d1 to dp	Bar code (GS1 DataBar) print
GS k+m+n+k1+k2+k3+k4	Bar code (GS1 DataBar) setting
GS w+n	Sets bar code width magnification

## Contact

### Japan

FUJITSU COMPONENT LIMITED  
Shinagawa Seaside Park Tower  
12-4, Higashi-shinagawa 4-chome,  
Tokyo 140 0002, Japan  
Tel: (81-3) 3450-1682  
Fax: (81-3) 3474-2385  
Email: fcl-contact@cs.jp.fujitsu.com  
Web: www.fujitsu.com/jp/fcl/

### North and South America

FUJITSU COMPONENTS AMERICA, INC.  
2290 North First Street, Suite 212  
San Jose, CA 95131 U.S.A.  
Tel: (1-408) 745-4900  
Fax: (1-408) 745-4970  
Email: components@us.fujitsu.com  
Web: http://us.fujitsu.com/components/

### Europe

FUJITSU COMPONENTS EUROPE B.V.  
Diamantlaan 25  
2132 WV Hoofddorp  
Netherlands  
Tel: (31-23) 5560910  
Fax: (31-23) 5560950  
Email: info@fceu.fujitsu.com  
Web: www.fujitsu.com/uk/components/

### Asia Pacific

FUJITSU COMPONENTS ASIA, Ltd.  
102E Pasir Panjang Road  
#01-01 Citilink Warehouse Complex,  
Singapore 118529  
Tel: (65) 6375-8560 / Fax: (65) 6273-3021  
Email: fcal@sg.fujitsu.com  
www.fujitsu.com/sg/products/devices/components/

### China

FUJITSU ELECTRONIC COMPONENTS  
(SHANGHAI) CO., LTD.  
Unit 4306, InterContinental Center  
100 Yu Tong Road, Shanghai 200070, China  
Tel: (86 21) 3253 0998  
Fax: (86 21) 3253 0997  
Email: fcal@sgfujitsu.com  
www.fujitsu.com/sg/products/devices/components/

### Hong Kong

FUJITSU COMPONENTS HONG KONG Co., Ltd.  
Unit 503, Inter-Continental Plaza,  
No.94 Granville Road,  
Tsim Sha Tsui Kowloon, Hong Kong 118529  
Tel: (852) 2881 8495 Fax: (852) 2894 9512  
Email: fcal@sg.fujitsu.com  
www.fujitsu.com/sg/products/devices/components/

## Copyright

All trademarks or registered trademarks are the property of their respective owners.

Fujitsu Components America or its affiliates do not warrant that the content of datasheet is error free. In a continuing effort to improve our products Fujitsu Components America, Inc. or its affiliates reserve the right to change specifications/ datasheets without prior notice.

Copyright ©2016 Fujitsu Components America, Inc. All rights reserved.

Revised January 29, 2016

## X-ON Electronics

Largest Supplier of Electrical and Electronic Components

*Click to view similar products for [Printers category](#):*

*Click to view products by [Fujitsu manufacturer](#):*

Other Similar products are found below :

[897252-000](#) [CU0620-000](#) [F39639-000](#) [FTP-648MCL570](#) [PTMBL1912A](#) [PWC-L07A1-W1-E](#) [DPU-V445-10B-E](#) [D-SCE-12-50-S1-4](#) [D-SCE-3.2-50-S1-4](#) [IF2302-01UK-E](#) [IF9001-01P-E](#) [IFC-001K](#) [2000P-RIBBON-4AG-MED](#) [206868-000](#) [OP-LH200A-E](#) [LB1256-E](#) [LM-1/4-TUBE-WE](#) [308-LE](#) [SMS-V-19-9](#) [ACUH205A-E](#) [1813390001](#) [FTP-040P001](#) [FTP-628CU601R](#) [PW-C0725-W2-U](#) [HANDHELD-TMS-3.9-9](#) [3045950001](#) [351013-000](#) [RH-48-00-E](#) [4775630001](#) [TSK-508406-2.5CS8982](#) [TTC-PRINTER-PRINthead-300](#) [HW-762254-5-9](#) [IF2301-01B](#) [IFC-001K-E](#) [IFH001-01B](#) [LM-1/2-TUBE-WE](#) [DPU-D3-01A-E](#) [D-SCE-12-50-9](#) [D-SCE-4.8-50-4](#) [094514-000](#) [E64127-000](#) [5530290001](#) [ED4839-000](#) [T200-IDENT-DR4-DRIVEROLLER](#) [CP3963-000](#) [T208M-PRINthead](#) [2000P-RIBBON-4AG-NAR](#) [2000P-RIBBON-WH-MED](#) [U001023895X1](#) [FTP-624Y002](#)