

POWER RELAY

2 POLES - 5A Low Profile Type

FTR-F1 Series

■ FEATURES

- Low profile (height: 16.5mm)
- DPST/DPDT 5A
- High insulation
(due to its reinforced insulation construction)
Insulation Distance (between coil and contacts): 8mm min.
Dielectric strength : 5,000 VAC
Surge strength : 10,000 V
- Glow wire compliant type available which satisfies GWT required for relay in IEC/EN60335-1
- Pin configuration compatible to VB
- UL, CSA, VDE, CQC recognized
- RoHS compliant (Please see page 6 for more information)



■ Part Numbers

[Example] FTR-F1 - A A 005 V - GW
 (a) (b) (c) (d) (e) (f)

(a)	Relay type	FTR-F1 : FTR-F1 series
(b)	Contact configuration	A : 2 form A (SPST-NO) C : 2 form C
(c)	Coil type / enclosure	A : Standard type (530mW) D : High sensitivity type (400mW contact material V type only)
(d)	Coil rated voltage	005 : 1.5....110VDC Coil rating table at page 3
(e)	Contact material / TV type	V : Gold plated silver alloy (standard type) T : Gold plated silver alloy (TV-3 rating type, only for 2 form A standard coil type)
(f)	Special type	Nil : Standard type RG : Transparent cover type GW : Comply with GWEPT (IEC60695-2-11)

Actual marking does not carry the type nameL "FTR"

E.g.: Ordering code: "FTR-F1AA005V", actual marking: "F1AA005V"

Note: Special type "-GW" is not applied for "-RG".

FTR-F1 Series

■ Specifications

Item			Standard type F1 (A, C) A () V	TV-3 rating F1 AA () T	Sensitive type F1 (A, C) D () V	Remarks / conditions	
Contact data	Configuration		2 form A (DPST-NO) 2 form C	2 form A (DSDT-NO)	2 form A (DPST-NO) 2 form C (DPDT)		
	Construction		Single				
	Material		Movable: Gold plate silver tin oxide (AgSnO ₂) Stationary: Silver tin oxide				
	Resistance		Max. 100mΩ at 6VDC, 1A			Initial	
	Contact rating		5A, 250VAC / 24VDC			Resistive	
	Max. carrying current		7A				
	Max. switching voltage		400VAC, 300VDC				
	Max. switching power		1250VA / 120W				
Min. switching load *1		10 mA, 5VDC					
Coil	Rated power (20°C)		530mW, 110V type: 550mW		400mW		
	Operate power (20°C)		260mW, 110V type: 270mW		225mW		
	Operating temperature range		-40°C ~ +75°C (at rated voltage) -40°C ~ +70°C (Transparent cover type, -RG)			No frost	
Timing data	Operate		Max. 15ms			without bounce, no diode	
	Release		Max. 5ms			without bounce, no diode	
Life	Mechanical		Min. 20 x 10 ⁶ operations				
	Electrical (resistive)	AC contact rating	Min. 100 x 10 ³ operations			At rated load	
		DC contact rating	Min. 100 x 10 ³ operations			At rated load	
		Lamp load (TV-3)	-	25 x 10 ³ operations min.	-		
Insulation	Insulation resistance		Min. 1000MΩ at 500VDC				
	Dielectric strength	Open contacts	1000VAC (50/60Hz), 1 minute				
		Coil contact	5000VAC (50/60Hz), 1 minute				
		Adjacent contacts	3000VAC (50/60Hz), 1 minute				
	Surge strength	Coil to contacts	10000V / 1.2 x 50μs standard wave				
	Clearance		8mm				
	Creepage		8mm				
	EN61810-1, VDE0435	Voltage		250V			
		Pollution		3			
		Material group		III a			
Category		C / 250V (reference voltage) (VDE 0110b)					
Other	Vibration resistance	Misoperation	10Hz ~ 55Hz ~ 10Hz single amplitude 0.825mm				
		Endurance	10Hz ~ 55Hz ~ 10Hz single amplitude 1.65mm				
	Shock resistance	Misoperation	Min. 100m/s ² (11 ± 1ms)				
		Endurance	Min. 1,000m/s ² (6 ± 1ms)				
	Dimensions / weight		12.8 x 29.0 x 16.5 mm / approx. 12.0g				
Sealing		Plastic sealed RTIII					

*1: Minimum switching loads mentioned above are reference values. Please perform the confirmation test with actual load before production since reference values may vary according to switching frequencies, environmental conditions and expected reliability levels.

FTR-F1 Series

■ Coil Data

530mW standard type

Coil code	Rated Coil Voltage (VDC)	Coil Resistance +/-10% (Ω)	Must Operate Voltage* (VDC)	Must Release Voltage* (VDC)	Rated Power (mW)
1.5	1.5	4.2	1.05	0.15	530
005	5	47	3.5	0.5	
006	6	68	4.2	0.6	
009	9	155	6.3	0.9	
012	12	270	8.4	1.2	
018	18	610	12.6	1.8	
024	24	1,100	16.8	2.4	
048	48	4,400	33.6	4.8	
060	60	6,800	42.0	6.0	
110	110	22,000	77.0	11.0	

400mW high sensitive type

Coil code	Rated Coil Voltage (VDC)	Coil Resistance +/-10% (Ω)	Must Operate Voltage* (VDC)	Must Release Voltage* (VDC)	Rated Power (mW)
1.5	1.5	5.6	1.125	0.15	400
003	3	22.5	2.25	0.3	
005	5	62	3.75	0.5	
006	6	90	4.5	0.6	
009	9	202	6.75	0.9	
012	12	360	9	1.2	
024	24	1,440	18	2.4	
048	48	5,760	36	4.8	

Note: All values in the table are valid at 20°C and zero contact current, unless otherwise specified.

*: Specified operated values are valid for pulse wave voltage.

Note: Please use at rated coil voltage. Please refer to characteristic data and set up adequate voltage in case of use at over voltage.

Care shall be taken on the heat generated on PC board when maximum carrying current exceeds 10A. Please perform the confirmation test with actual conditions.

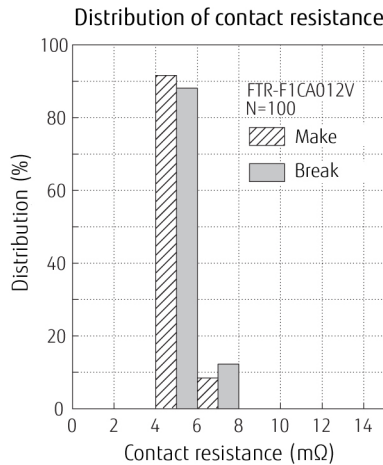
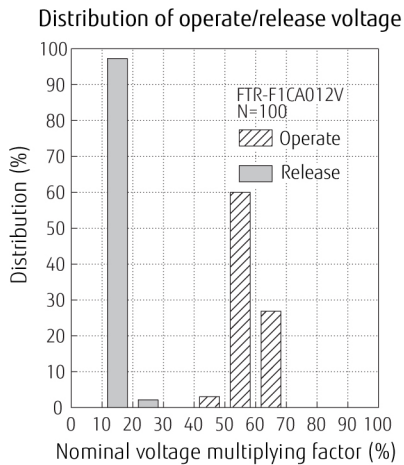
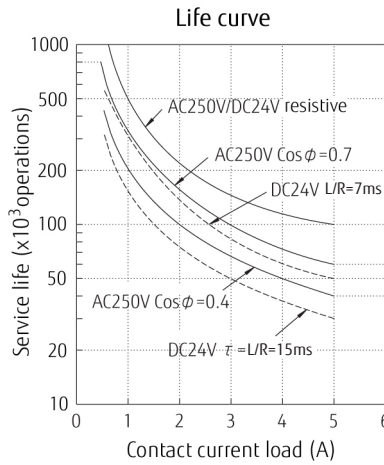
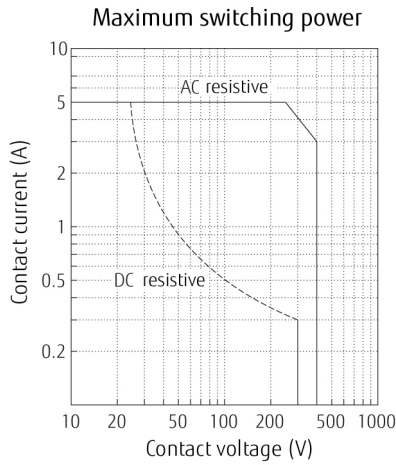
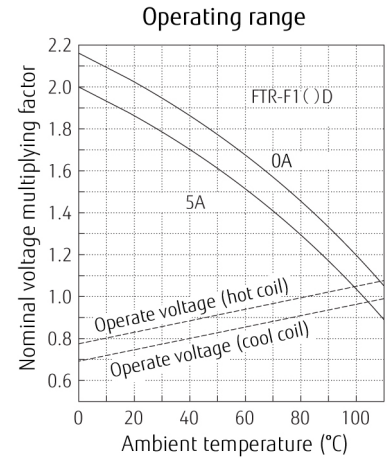
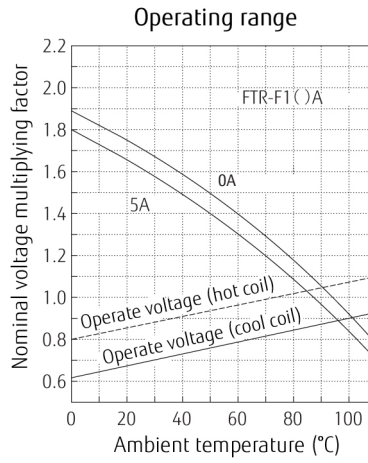
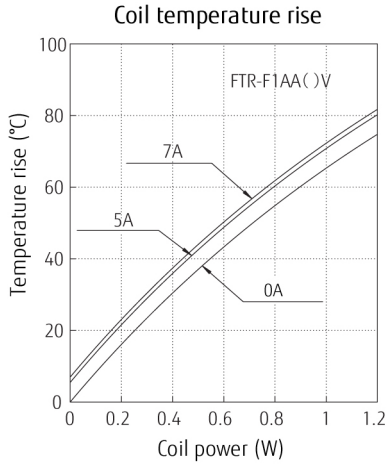
■ Safety Standards

Type	Compliance	Contact rating
UL	UL 508	Flammability: UL 94-V-0 (plastics)
CSA	C22.2 No. 14 File No. LR 40304	5A, 24VDC (resistive) 5A, 250VAC (resistive) 1/6 hp, 125VAC 1/4 hp, 250VAC Pilot duty: C300 Pilot duty: R300 (FTR-F1CA()V) TV-3 (FTR-F1AA()T) (except for -RG type)
VDE	IEC/EN61810-1 EN60065 clause 14.6.1 (FTR-F1AA()T) EN60335-1 clause 15.3; 16.3; 29.1; 29.2; 29.3 EN60730-1 clause 12.2; 13.2; 20.1; 20.2; 20.3	5A, 250 VAC ($\cos\phi=1$) 2A, 250 VAC ($\cos\phi=0.4$) 5A, 24VDC (0ms) 2A/32A, 250VAC (FTR-F1AA()T)
CQC	GB/T21711.1, GB15092.1 (No.17002164350)	5A, 250VAC (FTR-F1CA()V)

FTR-F1 Series

■ Characteristic Data (Reference)

* Characteristic data is not a guaranteed value, but measured values of samples from production line.

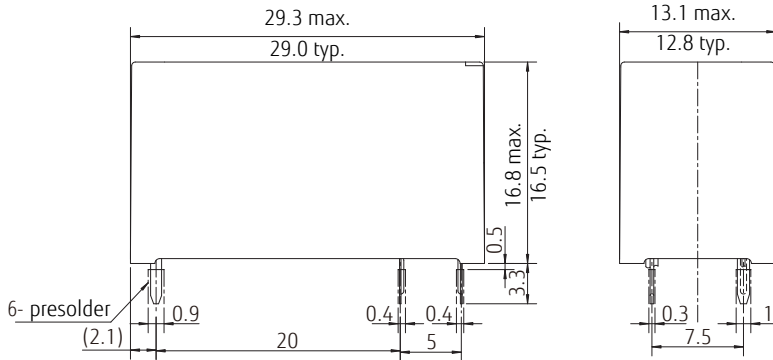


FTR-F1 Series

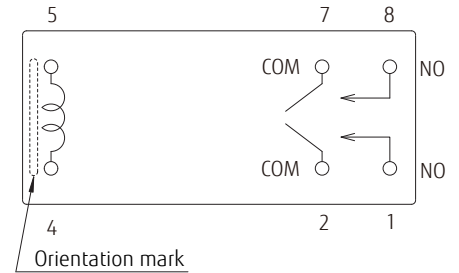
■ Dimensions

FTR-F1A Type

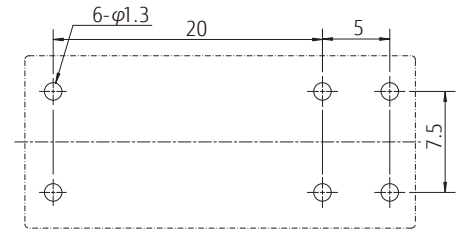
Dimensions



Schematics
(BOTTOM VIEW)

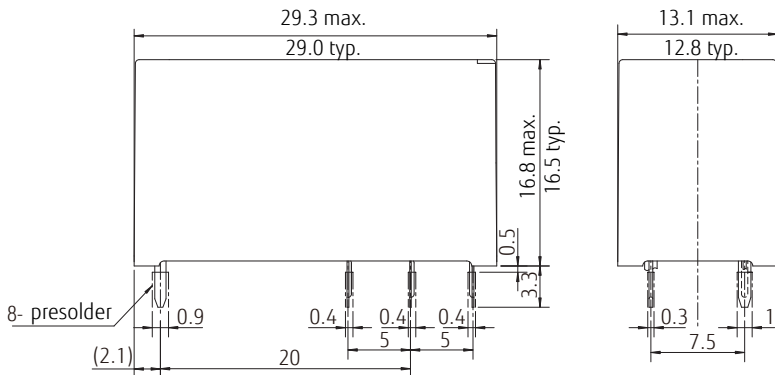


PC board mounting hole layout
(BOTTOM VIEW)

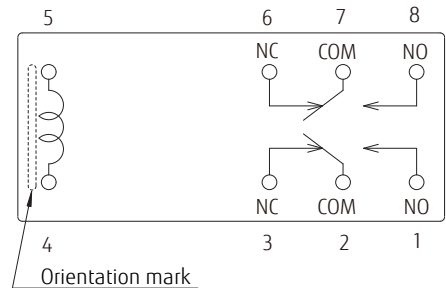


FTR-F1C Type

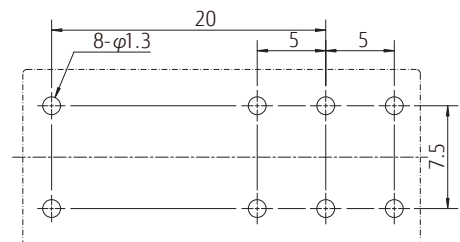
Dimensions



Schematics
(BOTTOM VIEW)



PC board mounting hole layout
(BOTTOM VIEW)



- * Dimensions do not include tolerances.
- * Dimensions of the terminals do not include thickness of pre-solder.
- * Tolerance of PC board mounting hole layout : ± 0.1 unless otherwise specified.

Unit: mm
(): Reference

FTR-F1 Series

CAUTIONS

- All values mentioned in this datasheet are provided under ideal conditions. Please perform the confirmation test before actual use.
- Reflow soldering is prohibited.
- Do not use relays in the atmosphere with sulfide gas, chloride gas or nitric oxide. Contact resistance may increase.
- Do not use silicon or silicon-containing product or materials near relays. It may cause contact failure.

GENERAL INFORMATION

1. ROHS Compliance

- All relays produced by Fujitsu Components are compliant with RoHS directive 2011/65/EU, including commission delegated directive 2015/863.

2. Recommended lead free solder condition

- Lead free solder plating on relay terminals is Sn-3.0Ag-0.5Cu, unless otherwise specified. This material has been verified to be compatible with PbSn assembly process.
- Recommended solder for assembly: Sn-3.0Ag-0.5Cu.

Flow Solder Condition:

Pre-Heating: maximum 120°C
within 90 sec.

Soldering: dip within 5 sec. at 255°C±5°C solder bath

Relay must be cooled by air immediately after soldering

Solder by Soldering Iron:

Soldering Iron: 30-60W

Temperature: maximum 340-360°C

Duration: maximum 3 sec.

We highly recommend that you confirm your actual solder conditions

3. Moisture Sensitivity

- Moisture Sensitivity Level standard is not applicable to electromechanical relays, unless otherwise indicated.

4. Tin Whiskers

- Dipped SnAgCu solder is known as presenting a low risk to tin whisker development. No considerable length whisker was found by our in house test.

FTR-F1 Series

Fujitsu Components International Headquarter Offices

Japan

FUJITSU COMPONENT LIMITED
Shinagawa Seaside Park Tower 19F,
12-4, Higashi-shinagawa 4-chome, Shinagawa-ku,
Tokyo, 140-0002, Japan
Tel: (81-3) 3450-1682
Fax: (81-3) 3474-2385
Email: fcl-contact@cs.jp.fujitsu.com
Web: www.fujitsu.com/jp/fcl/

North and South America

FUJITSU COMPONENTS AMERICA, INC
1230 E. Arques Ave. M/S 160
Sunnyvale, CA. 94085, USA
Tel: (1-408) 745-4900
Fax: (1-408) 745-4970
Email: components@us.fujitsu.com
Web: us.fujitsu.com/components

Europe

FUJITSU COMPONENTS EUROPE B.V.
Diamantlaan 25
2132 WV Hoofddorp
Netherlands
Tel: (31-23) 5560910
Fax: (31-23) 5560950
Email: info@fceu.fujitsu.com
Web: www.fujitsu.com/uk/components

Asia Pacific

FUJITSU COMPONENTS ASIA, LTD.
102E Pasir Panjang Road
#01-01 Citilink Warehouse Complex
Singapore 118529
Tel: (65) 6375-8560
Fax: (65) 6273-3021
Email: fcal@sg.fujitsu.com
Web: www.fujitsu.com/sg/products/devices/components

China

FUJITSU ELECTRONIC COMPONENTS (SHANGHAI) CO., LTD.
Unit 4306, InterContinental Center
100 Yu Tong Road, Shanghai 200070,
China
Tel: (86-21) 3253 0998
Fax: (86-21) 3253 0997
Email: fcsh@cn.fujitsu.com
Web: www.fujitsu.com/cn/products/devices/components/

Hong Kong

FUJITSU COMPONENTS HONG KONG CO., LTD
Unit 506, Inter-Continental Plaza
No.94 Granville Road, Tsim Sha Tsui, Kowloon,
Hong Kong
Tel: (852) 2881-8495
Tex: (852) 2894-9512
Email: fcal@sg.fujitsu.com
Web: www.fujitsu.com/sg/products/devices/components/

Korea

FUJITSU COMPONENTS KOREA LIMITED
Alpha Tower #403, 645 Sampyeong-dong,
Bundang-gu, Seongnam-si, Gyeonggi-do,
13524 Korea
Tel: (82) 31-708-7108
Fax: (82) 31-709-7108
Email: fcal@sg.fujitsu.com
www.fujitsu.com/sg/products/devices/components/

© 2020 Fujitsu Components Europe B.V. All rights reserved. All trademarks or registered trademarks are the property of their respective owners.

Fujitsu Products are intended for general use, including without limitation, in personal, household and office environments, in buildings and for ordinary use in the industry. Fujitsu Products are not intended to be used in applications where extremely high safety is required ("High Safety Required Applications"), such as, but not limited to, applications in nuclear facilities, in aircraft automatic flight control, in air traffic control, in mass transit system control, in missile launch systems, in weapon systems, in medical equipment for life support or any application involving a direct serious risk of physical injury or death. Please do not use Fujitsu Products without securing the sufficient safety and reliability required for the High Safety Required Applications. In addition, Fujitsu shall not be liable against the customer and/or any third party for any claims or damages arising in connection with the use of Fujitsu Products in the High Safety Required Applications.

Fujitsu warrants that its Products, if properly used and serviced, will conform to their specification and will be free from defects in material and workmanship for twelve months from delivery.

The implied warranties of merchantability and fitness for a particular purpose and all other warranties, representations and conditions, express or implied by statute, trade usage or otherwise, except as set forth in this warranty, are excluded and shall not apply to the Products delivered.

The contents, data and information in this datasheet are provided by Fujitsu Component Ltd. as a service only to its user and only for general information purposes. The use of the contents, data and information provided in this datasheet is at the users' own risk.

Fujitsu has assembled this datasheet with care and will endeavor to keep the contents, data and information correct, accurate, comprehensive, complete and up to date.

Fujitsu Components Europe B.V. and affiliated companies do however not accept any responsibility or liability on their behalf, nor on behalf of its employees, for any loss or damage, direct, indirect or consequential, with respect to this datasheet, its contents, data, and information and related graphics and the correctness, reliability, accuracy, comprehensiveness, usefulness, availability and completeness thereof.

Nor do Fujitsu Components Europe B.V. and affiliated companies accept on their behalf, nor on behalf of its employees, any responsibility or liability with respect to these datasheets, its contents, data, information and related graphics and the correctness, reliability, accuracy, comprehensiveness, usefulness, availability and completeness thereof. Rev. February 7th, 2020

X-ON Electronics

Largest Supplier of Electrical and Electronic Components

Click to view similar products for [General Purpose Relays](#) category:

Click to view products by [Fujitsu](#) manufacturer:

Other Similar products are found below :

[APF30318](#) [JVN1AF-4.5V-F](#) [PCN-105D3MHZ](#) [5JO-10000S-SIL](#) [5JO-1000CD-SIL](#) [5JO-400CD-SIL](#) [LY2S-AC220/240](#) [LYQ20DC12](#)
[6031007G](#) [6131406HQ](#) [6-1393099-3](#) [6-1393099-8](#) [6-1393122-4](#) [6-1393123-2](#) [6-1393767-1](#) [6-1393843-7](#) [6-1415012-1](#) [6-1419102-2](#) [6-](#)
[1423698-4](#) [6-1608051-6](#) [6-1608067-0](#) [6-1616170-6](#) [6-1616248-2](#) [6-1616282-3](#) [6-1616348-2](#) [6-1616350-1](#) [6-1616350-8](#) [6-1616358-7](#) [6-](#)
[1616359-9](#) [6-1616360-9](#) [6-1616931-6](#) [6-1617039-1](#) [6-1617052-1](#) [6-1617090-2](#) [6-1617090-5](#) [6-1617347-5](#) [6-1617353-3](#) [6-1617801-8](#) [6-](#)
[1617802-2](#) [6-1618107-9](#) [6-1618248-4](#) [M83536/1-027M](#) [CX-4014](#) [MAHC-5494](#) [MAVCD-5419-6](#) [703XCX-120A](#) [7-1393100-5](#) [7-1393111-7](#)
[7-1393144-5](#) [7-1393767-8](#)