

FUJITSU Component Wireless Modules

Bluetooth® Version 4.1 Sensor Embedded Beacon

FWM8BLZ02A-109047

Overview

A Bluetooth Version 4.1 sensor embedded beacon with accelerometer and temperature sensors



Features

- **Selection of 3 types of sensor data reporting**
 - Via Fujitsu Components Data Communication (FDC)*
Beacon outputs sensor data in preset intervals
 - Using Sensor Value Characteristic**
Data is stored in sensor module and central equipment accesses the module to read data
- **OTA configuration mode**
In *Over-The-Air* (OTA) config mode the beacon unit settings and data can be re-configured by connecting to the central device wirelessly
- **LED status**
The Beacon status can be checked by the LED indicator
- **Long operation life with coin cell battery**
The Beacon is able to operate for more than 2 years with a CR2450 coin cell battery at 1 second advertise interval

RoHS compliant



FWM8BLZ02A-109047

Applications

- State monitors (logistics, nursing services, etc.)
- Front-end device of IoT platforms

Notes: *: Fujitsu Component unique data transmission profile, equipped in the beacon as standard

** : Sensor Value Characteristic is a function set in 'Characteristic', GATT specification of Bluetooth Smart, to have central equipment read.

Sensor Value Characteristic is Fujitsu Component unique name

Item	Specifications	
Part number	FWM8BLZ02A-109047	
Antenna	Pattern antenna	
Bluetooth technology	Conforms to Bluetooth Version 4.1 technology	
Transmit power	-16, -12, -8, -4, 0, +4 dBm (changeable by command)	
Power supply	CR family coin type lithium battery CR2450 (not included)	
Operating temperature / humidity	-30°C to +60°C, 20 to 80% RH	
Sensor	Sense interval	Typical 990ms (range 99 to 60,000ms)
	Acceleration sensor	Range of detection: ±16G, accuracy: ±3%
	Temperature sensor	Range of detection: -30°C to +60°C, accuracy : ±0.3°C
Dimensions / Weight	40 x 31 x 12mm / Approx. 10g (without battery)	
Certifications	Bluetooth qualification (QDID), Radio Act (Japan), FCC, IC, CE	

■ Battery specifications

Note: Use of coin type lithium battery CR2450
Please use the battery meets Figure 1 (minus electrode height min. 0.9mm, diameter max. 23 mm) to keep enough clearance between beacon holder and battery.

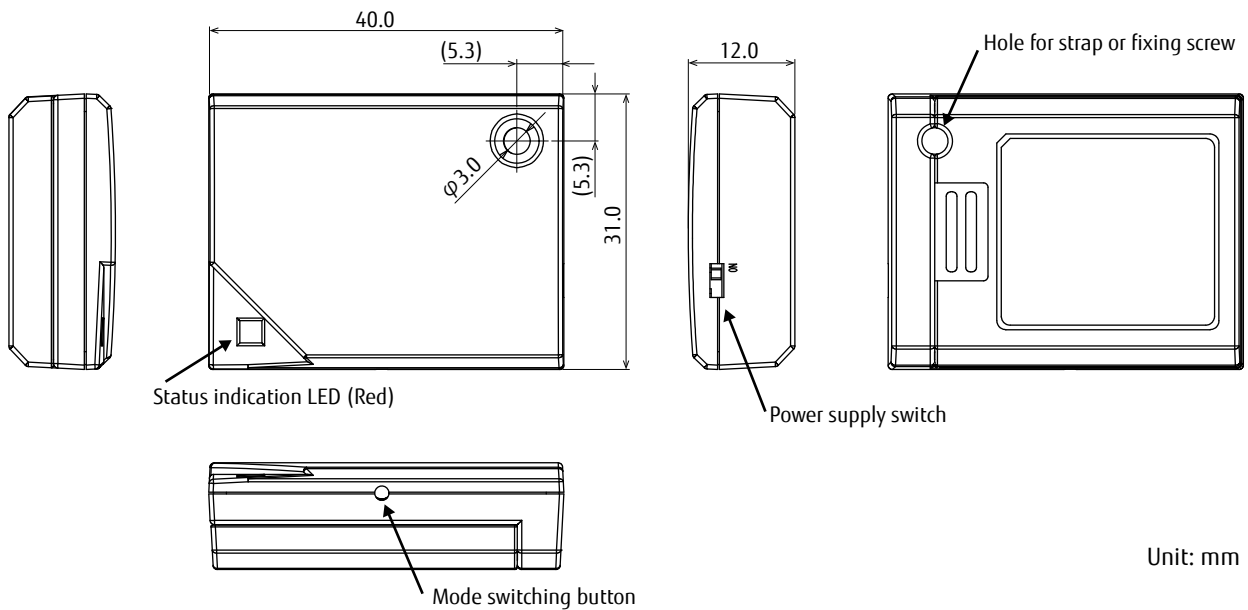


Figure 1

Unit: mm

■ Dimensions

FWM8BLZ02A-109047



Unit: mm

Note: The *Bluetooth*® word mark and logos are registered trademarks owned by Bluetooth SIG, Inc. and any use of such marks by Fujitsu Component is under license. Other trademarks and trade names are those of their respective owners.

Contact

Japan
FUJITSU COMPONENT LIMITED
Shinagawa Seaside Park Tower
12-4, Higashi-shinagawa 4-chome,
Tokyo 140 0002, Japan
Tel: (81-3) 3450-1682
Fax: (81-3) 3474-2385
Email: fcl-contact@cs.jp.fujitsu.com
Web: www.fujitsu.com/jp/group/fcl/en/

North and South America
FUJITSU COMPONENTS AMERICA, INC.
2290 North First Street, Suite 212
San Jose, CA 95131 U.S.A.
Tel: (1-408) 745-4900
Fax: (1-408) 745-4970
Email: components@us.fujitsu.com
Web: http://us.fujitsu.com/components/

Europe
FUJITSU COMPONENTS EUROPE B.V.
Diamantlaan 25
2132 WV Hoofddorp
Netherlands
Tel: (31-23) 5560910
Fax: (31-23) 5560950
Email: info@fceu.fujitsu.com
Web: emea.fujitsu.com/components/

Asia Pacific
FUJITSU COMPONENTS ASIA, Ltd.
102E Pasir Panjang Road
#01-01 Citilink Warehouse Complex,
Singapore 118529
Tel: (65) 6375-8560 / Fax: (65) 6273-3021
Email: fcal@sg.fujitsu.com
www.fujitsu.com/sg/products/devices/
components/

China
FUJITSU ELECTRONIC COMPONENTS
(SHANGHAI) CO., LTD.
Unit 4306, InterContinental Center
100 Yu Tong Road, Shanghai 200070, China
Tel: (86 21) 3253 0998 /Fax: (86 21) 3253 0997
Email: fcal@sg.fujitsu.com
www.fujitsu.com/sg/products/devices/
components/

Hong Kong
FUJITSU COMPONENTS HONG KONG Co., Ltd.
Room 06, 28/F, Greenfield Tower, Concordia
Plaza, No.1 Science Museum Road,
Tsim Sha Tsui East, Kowloon, Hong Kong
Tel: (852) 2881 8495 Fax: (852) 2894 9512
Email: fcal@sg.fujitsu.com
www.fujitsu.com/sg/products/devices/
components/

Korea
FUJITSU COMPONENTS KOREA, LTD.
Alpha Tower #403,
645 Sampyeong-dong,
Bundang-gu, Seongnam-si,
Gyeonggi-do, 13524 Korea
Tel: (82 31) 708-7108
Fax: (82 31) 709-7108
Email: fcal@sg.fujitsu.com
www.fujitsu.com/sg/products/
devices/components/

Copyright

All trademarks or registered trademarks are the property of their respective owners. Fujitsu Components America or its affiliates do not warrant that the content of datasheet is error free. In a continuing effort to improve our products Fujitsu Components America, Inc. or its affiliates reserve the right to change specifications/datasheets without prior notice. Copyright ©2017 Fujitsu Components America, Inc. All rights reserved. Revised October 20, 2017

X-ON Electronics

Largest Supplier of Electrical and Electronic Components

Click to view similar products for [Bluetooth Modules - 802.15.1 category](#):

Click to view products by [Fujitsu manufacturer](#):

Other Similar products are found below :

[A2541R24A10GM](#) [CYBLE-212023-10](#) [BM78SPP05NC2-0002AA](#) [BM78SPP05MC2-0002AA](#) [CYW20732S](#) [968EMB0019](#) [E73-2G4M08S1CX](#) [TB-03F-AT_Mesh](#) [TB-04](#) [TB-04--AT_Mesh](#) [BT3L\(jibu\)](#) [BT5S\(xoft\)](#) [BT5S\(4k43\)](#) [BT5S\(jcyv\)](#) [1327](#) [RN42HID-I/RM](#) [ENW-89829C3KF](#) [BLE113-A-V1](#) [BM78SPP05MC2-0004AA](#) [BM70BLE01FC2-0B03AA](#) [ACN52832](#) [A2541E24A10GM](#) [RN42-I/RM630](#) [MOTG-BLUETOOTH](#) [ABBTM-2.4GHz-52-T](#) [ABBTM-2.4GHz-T](#) [ABBTM-2.4GHz-T2](#) [ACN52840](#) [AFERO-BL24-01](#) [BLED112](#) [BM62SPKS1MC2-0001AA](#) [BM78SPPS5MC2-0002AA](#) [PX0880/1](#) [BM833F](#) [BT680F](#) [PBA31309V1.00](#) [S LK64](#) [ISP1907-LL-ST](#) [ATSAMB11-MR510CA](#) [BM20SPKA1NBC-0001AA](#) [BM20SPKS1NBC-0001AA](#) [BM23SPKS1NB9-0B02AA](#) [BM70BLE01FC2-0B04AA](#) [BM70BLES1FC2-0B04AA](#) [BM77SPP03MC2-0007AA](#) [BM77SPP03MC2-0008AA](#) [BM77SPPS3MC2-0007AA](#) [BM78SPP05NC2-0001AA](#) [BM78SPPS5NC2-0002AA](#) [DM164146](#) [RN42-I/RM615](#)