

FUJITSU Component Touch Panels

Standard 7-Wire series

Fujitsu Resistive Touch Panel Specification

Features

- Superior long life, using a unique construction method offering improved life over typical technologies; by sensing data input only on the glass layer, typically a 10x improvement in product life is achieved.
- Excellent specification and high quality
 - Anti Newton ring technology
 - High reliability materials
- Pen/finger, pen only, finger only, light touch types available
- Transparency - 80% typical
- Anti-glare finish (haze 5%)
- RoHS compliant



■ Part Numbers

Part Number	Size	Type
N010-0510-T303	17.0"	Pen/Finger
N010-0510-T219	15.0"	Pen/Finger
N010-0550-T717	12.1"	Pen/Finger
N010-0550-T613	10.4"	Pen/Finger
N010-0550-T625	10.4"	Pen/Finger (light touch type)
N010-0550-T627	10.4"	Pen/Finger (light touch type) 100mm tail)

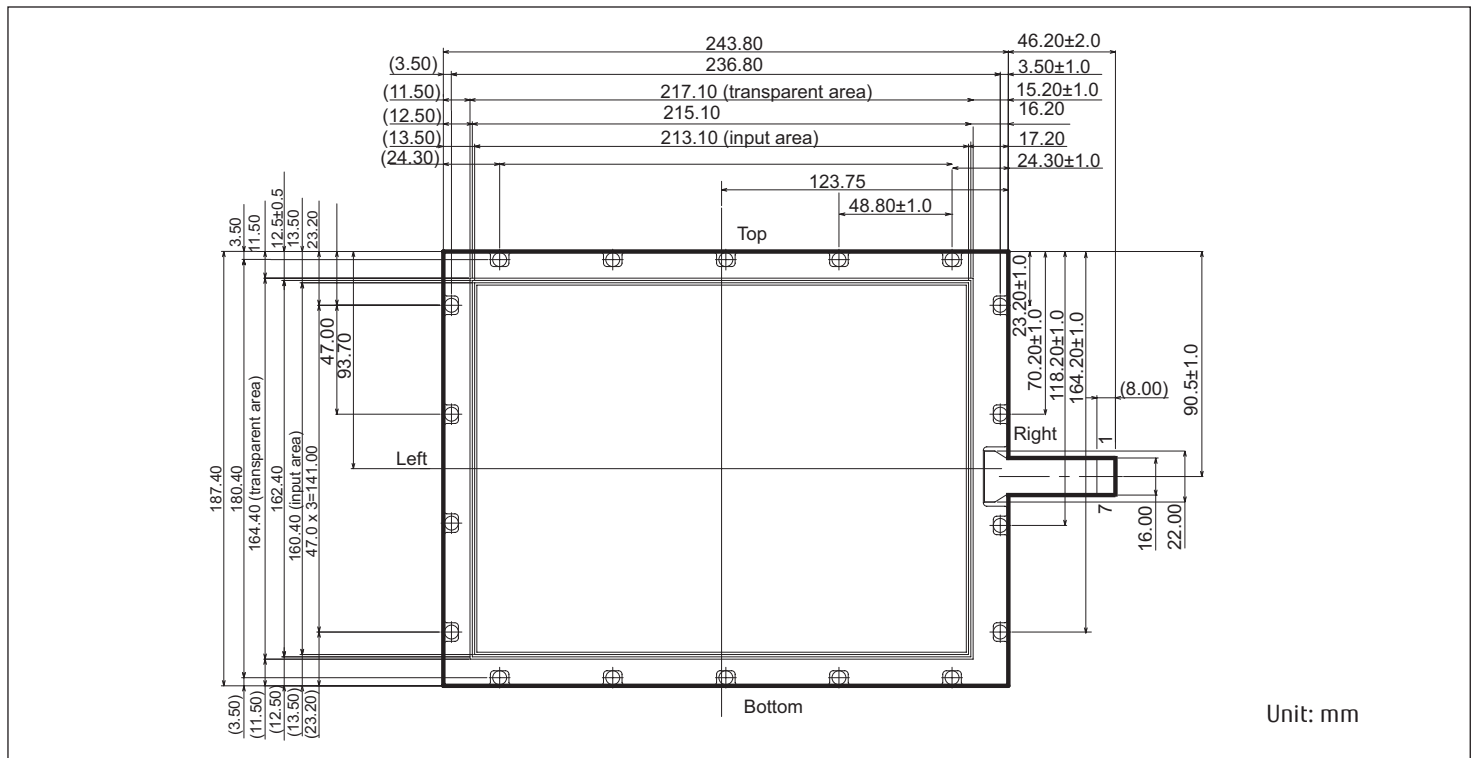
■ Controller Boards

Part Number	Type
NC01850-B075RS	7-wire, RS232C
NC01850-B020RS	7-wire, USB

■ Interface Controller Chips

Part Number	Type
NC41120-0036	7-wire, RS232C
NC41120-0051	7-wire, USB

■ Dimension example (10.4" shown)



■ Detailed specifications

1. This specification applies to the standard series Resistive Touch Panel (Pen/Finger type)
2. Complete specification document is available upon request.

■ Electrical

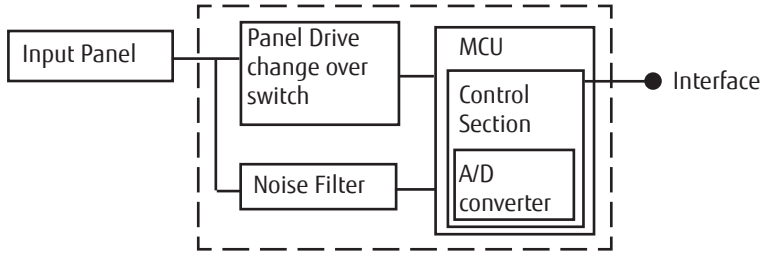
Location accuracy	±2.5mm measured over 9 points
Linearity	1.5% typical
Current consumption	36mA max. at DC 5V when applying 5VDC between 3 & 5
Switch bounce (chattering)	10ms min. when using the silicon rubber measurement rod
Insulation resistance	10MΩ minimum at 25KV DC applied between pins 3 & 7 or between 5 & 7
Dielectric strength	25KV DC for 1 minute

■ Environmental

Operating temperature	-5°C to 60°C
Storage temperature	-30°C to 70°C
Operating humidity	20% to 90% RH with a maximum wet bulb temperature of 38°C
Storage humidity	10% to 90% RH with a maximum wet bulb temperature of 38°C
Chemical resistance	Coating with the following chemicals and storing at room temperature for 2 hours gives no problems. 10% NaCl-water solution, ethyl-acetate, ethyl-alcohol, toluene, methyl-ethyl-ketone

■ System description and block diagram

This panel in combination with a control IC chip is used to transfer the touch co-ordinate data to the host system.



■ General notes

Touch panels are made of glass, so care must be taken in handling them. Do not stress, pile, bend, lift by the cable or put any stress on the film, for example moving by film face vacuum. In order to clean wring dry a cloth which has been emerged in a natural detergent. DO NOT use any organic solvent, acid or alkali solution. Watch the edge of the panel when cleaning, again for safety reasons.

Contact

Japan
 FUJITSU COMPONENT LIMITED
 Shinagawa Seaside Park Tower
 12-4, Higashi-shinagawa 4-chome,
 Tokyo 140 0002, Japan
 Tel: (81-3) 3450-1682
 Fax: (81-3) 3474-2385
 Email: fcl-contact@cs.jp.fujitsu.com
 Web: www.fujitsu.com/jp/group/fcl/en/

Europe
 FUJITSU COMPONENTS EUROPE B.V.
 Diamantlaan 25
 2132 WW Hooftdorp, The Netherlands
 Tel: (31-23) 5560910
 Fax: (31-23) 5560950
 Email: info@fceu.fujitsu.com
 Web: www.fujitsu.com/uk/products/
 devices/components/

China
 FUJITSU ELECTRONIC COMPONENTS
 (SHANGHAI) CO., LTD.
 Unit 4306, InterContinental Center
 100 Yu Tong Road, Shanghai 200070, China
 Tel: (86 21) 3253 0998 / Fax: (86 21) 3253 0997
 Email: fcal@sg.fujitsu.com
 www.fujitsu.com/sg/products/devices/
 components/

Korea
 FUJITSU COMPONENTS KOREA, LTD.
 Alpha Tower #403,
 645 Sampyeong-dong,
 Bundang-gu, Seongnam-si,
 Gyeonggi-do, 13524 Korea
 Tel: (82 31) 708-7108
 Fax: (82 31) 709-7108
 Email: fcal@sg.fujitsu.com
 www.fujitsu.com/sg/products/
 devices/components/

North and South America
 FUJITSU COMPONENTS AMERICA, INC.
 1230 E. Arques Ave., MS 160
 Sunnyvale, CA 94085 U.S.A.
 Tel: (1-408) 745-4900
 Fax: (1-408) 745-4970
 Email: components@us.fujitsu.com
 Web: http://us.fujitsu.com/components/

Asia Pacific
 FUJITSU COMPONENTS ASIA, Ltd.
 102E Pasir Panjang Road
 #01-01 Citilink Warehouse Complex,
 Singapore 118529
 Tel: (65) 6375-8560 / Fax: (65) 6273-3021
 Email: fcal@sg.fujitsu.com
 www.fujitsu.com/sg/products/devices/
 components/

Hong Kong
 FUJITSU COMPONENTS HONG KONG Co., Ltd.
 Room 06, 28/F, Greenfield Tower, Concordia
 Plaza, No.1 Science Museum Road,
 Tsim Sha Tsui East, Kowloon, Hong Kong
 Tel: (852) 2881 8495 Fax: (852) 2894 9512
 Email: fcal@sg.fujitsu.com
 www.fujitsu.com/sg/products/devices/
 components/

Copyright

All trademarks or registered trademarks are the property of their respective owners. Fujitsu Components America or its affiliates do not warrant that the content of datasheet is error free. In a continuing effort to improve our products Fujitsu Components America, Inc. or its affiliates reserve the right to change specifications/datasheets without prior notice. Copyright ©2020 Fujitsu Components America, Inc. All rights reserved. Revised July 10, 2020.

X-ON Electronics

Largest Supplier of Electrical and Electronic Components

Click to view similar products for [LCD Touch Panels](#) category:

Click to view products by [Fujitsu](#) manufacturer:

Other Similar products are found below :

[98-0003-2669-8](#) [CABLE/RTP/USB](#) [98-0003-2933-8](#) [17-8041-226](#) [17-8041-227](#) [CABLE/RTP/RS232](#) [N010-0557-T002](#) [N010-0557-T011](#)
[NA5-15W101B-V1](#) [LCDAL04-0430TL0NCNTBR1.0](#) [TP01106W-4KB](#) [FTAS00-15AN-4](#) [FTAS00-12.1AW-4A](#) [17-8021-227](#) [17-8031-205](#)
[17-8031-227](#) [17-8091-203](#) [17-8421-205](#) [17-8421-227](#) [17-8441-205](#) [17-8511-205](#) [17-8541-205](#) [17-8541-226](#) [17-8891-227](#) [17-8901-226](#) [98-](#)
[0003-2185-5](#) [98-0003-2617-7](#) [98-0003-2919-7](#) [98-0003-2955-1](#) [98-0003-3140-9](#) [98-0003-3190-4](#) [98-0003-3505-3](#) [98-1100-0606-5](#) [98-1100-](#)
[0638-8](#) [EA TOUCH240-4](#) [N010-0519-T742](#) [N010-0554-T043](#) [N010-0554-T703](#) [EA TOUCH102-1](#) [EA TOUCH128-1](#) [EA TOUCH128-2](#)
[EA TOUCH160-1](#) [LCD-OLINUXINO-10CTS](#) [TS-320240BRNO](#) [FTAS00-104A5](#) [FTAS00-104AS4](#) [FTAS00-121A4](#) [FTAS00-121A5](#)
[FTAS00-150A5](#) [FTAS225-57AN](#)