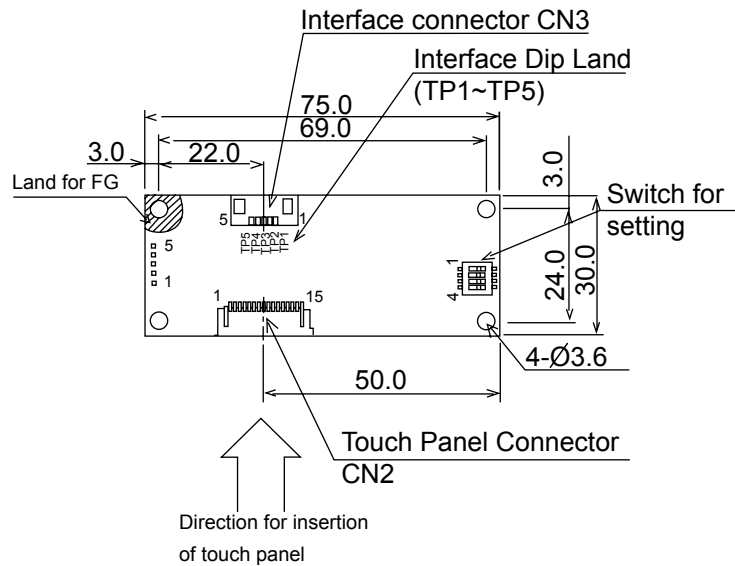


TOUCH PANEL CONTROL BOARD 7-WIRE SERIAL

N16B-0558-B280 Serial Interface Controller Board Quick Reference

7-Wire Resistive Touch Panels



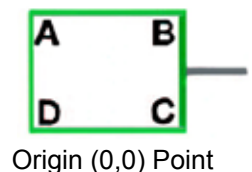
■ FEATURES

- High quality and reliability touch panel control board with switch selectable cable tail exit direction.
- RS232C Interface for direct connection to PC serial interfaces.
- Used to control the 7-wire resistive touch panels (in PnP or non-PnP mode).
- RoHS compliant

■ SWITCH SETTINGS

SW1	Orientation mode selection switches	ON		OFF		ON		OFF	
SW2		ON		ON		OFF		OFF	

SW3: PnP setting: SW3 ON is PnP enable, SW3 OFF is PnP disable



■ CONSTRUCTION

Specification Item		N16B-0558-B280 7-Wire Serial Control Board
Mechanical	Size / Weight	75mm x 30mm / 30g
Electrical	Supply voltage(max./min.)	Vcc 5.5V at Vss=6V/Vcc is 4.5V at Vss=0.3V
	Operating current (detect)	57 mA at Vcc = 5V and T = 25 degrees
	Sleep Mode current1	16 mA at Vcc = 5V and T = 25 degree s
Environment	Operating Temperature	-5° C to +60° C
	Storage Temperature	-30° C to +70° C
	Humidity	20%RH to 85% RH at +38° C maximum wet bulb temperature

Serial 7-Wire Control Board

■ TOUCH PANEL CONNECTION CN2 (FCI: SFW15R-1STAE1-LF)

■ INTERFACE CONNECTION CN3 (Molex: 53398-0571)

		-B280	Host
1.	+5V (Vcc)	1+5V	+5V
2.	Transmit data	2 TXD	RXD
3.	Receive data	3 RXD	TXD
4.		4 CTS	RTS*
5.	Ground	5 Gnd	Gnd

* optional: used for plug-n-play detection

Complete specification document is available on request for customers with whom we have an approved NDA in place.

Fujitsu Components International Headquarter Offices

Japan

Fujitsu Component Limited
Gotanda-Chuo Building
3-5, Higashigotanda 2-chome, Shinagawa-ku
Tokyo 141, Japan
Tel: (81-3) 5449-7010
Fax: (81-3) 5449-2626
Email: promothq@ft.ed.fujitsu.com
Web: www.fcl.fujitsu.com

North and South America

Fujitsu Components America, Inc.
250 E. Caribbean Drive
Sunnyvale, CA 94089 U.S.A.
Tel: (1-408) 745-4900
Fax: (1-408) 745-4970
Email: components@us.fujitsu.com
Web: <http://www.fujitsu.com/us/services/edevices/components/>

Europe

Fujitsu Components Europe B.V.
Diamantlaan 25
2132 WV Hoofddorp
Netherlands
Tel: (31-23) 5560910
Fax: (31-23) 5560950
Email: info@fceu.fujitsu.com
Web: emea.fujitsu.com/components/

Asia Pacific

Fujitsu Components Asia Ltd.
102E Pasir Panjang Road
#01-01 Citilink Warehouse Complex
Singapore 118529
Tel: (65) 6375-8560
Fax: (65) 6273-3021
Email: fcal@fcal.fujitsu.com
Web: <http://www.fujitsu.com/sg/services/micro/components/>

©2006 Fujitsu Components America, Inc. All rights reserved. All trademarks or registered trademarks are the property of their respective owners.

Fujitsu Components America or its affiliates do not warrant that the content of datasheet is error free. In a continuing effort to improve our products Fujitsu Components America, Inc. or its affiliates reserve the right to change specifications/datasheets without prior notice.
Rev. May26/2006

X-ON Electronics

Largest Supplier of Electrical and Electronic Components

Click to view similar products for [Display Development Tools](#) category:

Click to view products by [Fujitsu](#) manufacturer:

Other Similar products are found below :

[KIT 60121-3](#) [S5U13U11P00C100](#) [KIT 60145-3](#) [S5U13748P00C100](#) [DFR0413](#) [KIT95000-3](#) [LCD-16396](#) [PIM370](#) [1109](#) [MIKROE-2449](#)
[MIKROE-2453](#) [131](#) [DEV-13628](#) [1590](#) [MIKROE-2269](#) [1601](#) [1770](#) [1947](#) [1983](#) [1987](#) [2050](#) [2218](#) [2260](#) [2345](#) [2418](#) [2423](#) [2454](#) [2455](#) [2478](#)
[2674](#) [SK-220RD-PI](#) [FIT0477](#) [333](#) [334](#) [TE-M321-SDK](#) [DFR0428](#) [cs-epapersk-03](#) [338](#) [DEV-14442](#) [FIT0478](#) [cs-paperino-01](#) [OM-E-OLE](#)
[ALTHSMCMIPILCD](#) [ASD2421-R](#) [TDP0500T800480PCAP](#) [LCD-14048](#) [cs-epapersk-02](#) [2719](#) [LCD-01](#) [PIM113](#)