

FUJITSU Component Touch Panels

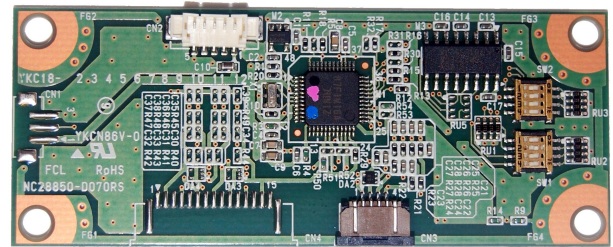
4-Wire Serial Control Board

NC01850-B070RS

Fujitsu Serial Interface Controller Board Quick Reference

Features

- Replaces N16B-0558-B270
- High quality & reliability touch panel control board with integrated switch for selectable cable tail exit direction for FPC cable 4-wire touch panels
- RS-232C interface for direct connection to PC or serial interface
- Used to control 4-wire resistive touch panels
- PnP or non-PnP mode selectable
- RoHS compliant

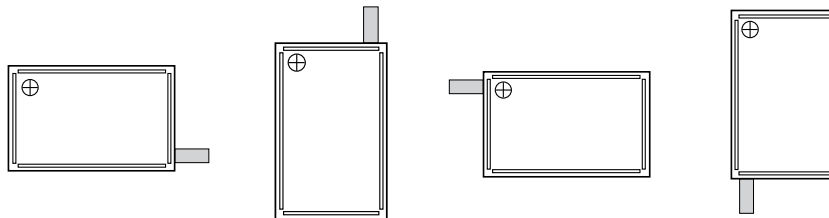


NC01850-B070RS

Switch Settings

Please verify which touch panel type you have. Type 1 or Type 2; please refer to the panel drawing on our website.

Panel Orientation



	Coordinates Origin	A	B	C	D	Panel Type
Switch	SW1-1	ON	OFF	ON	OFF	1
	SW1-2	OFF	OFF	ON	ON	1
	SW1-3	OFF	ON	ON	OFF	1
	Coordinates Origin	D	A	B	C	Panel Type
Switch	SW1-1	OFF	ON	OFF	ON	2
	SW1-2	ON	OFF	OFF	ON	2
	SW1-3	OFF	OFF	ON	ON	2

PNP ID Switch Setting Guide

Switch	Function	Description	Default
SW2-1	PNP ID setting	OFF = 12 bits / ON = 14bits	OFF
SW2-2	PNP enable	ON/OFF	OFF
SW2-3	Baud rate	OFF= 9,600bps / ON= 19,200bps	OFF
SW2-4	Reserved	N/A	OFF

■ Construction

Item	Specifications	
Type	4-wire serial control board	
Part number	NC01850-B070RS	
Mechanical	Size/weight	75mm x 30mm / 30g
Electrical	Supply voltage (max./min.)	5VDC±10%
	Operating current (detection active)	20mA at Vcc=5V and T=25 °C
	Operating current (detection suspend)	16mA at 5V and T=25°C
	Suspend mode current	5mA at Vcc=5V and T=25 °C
Environment	Operating temperature	-5°C to +60°C
	Storage temperature	-30°C to +70°C
	Humidity	20% RH to 85% RH at +38°C maximum wet bulb temperature (no condensation)

■ Touch panel connection CN 1 (FCI: SFW4R-1STAE1-LF)

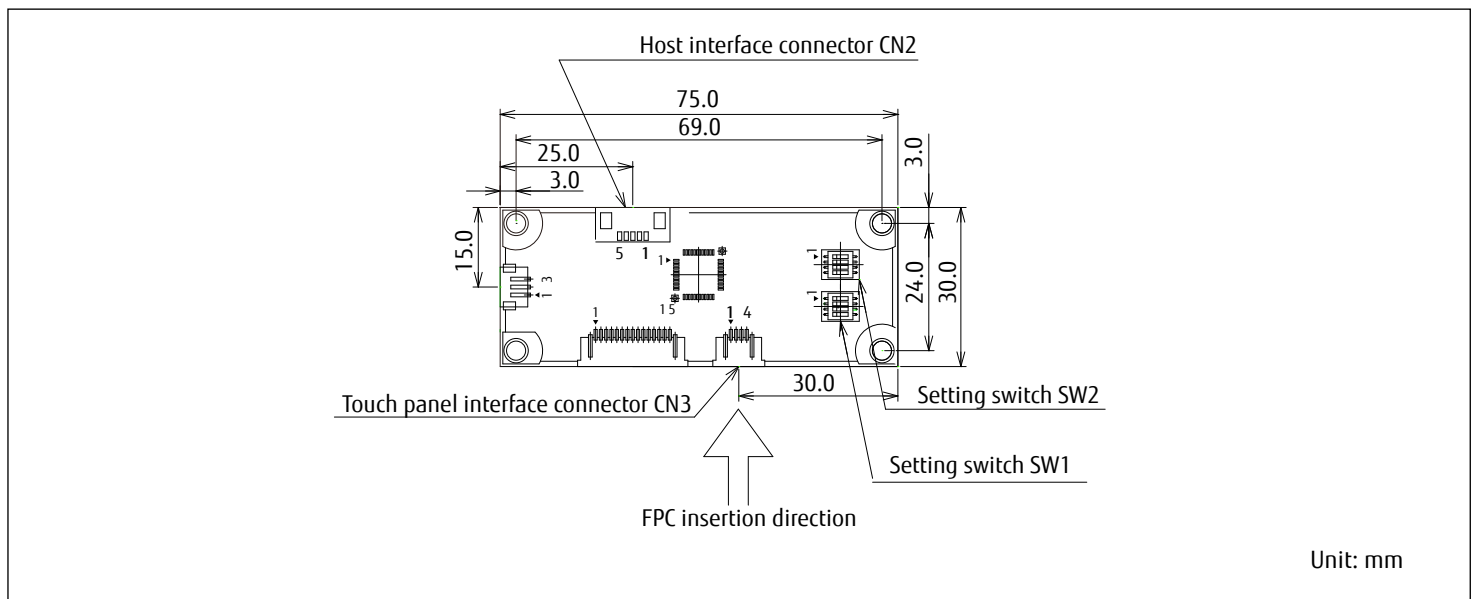
■ Interface connection CN2 (Molex: 53398-0571)

No	Signal	Content
1	+5V	+5V (Vcc)
2	TXD	Transmit data
3	RXD	Receive data
4*	CTS	PnP ID
5	Vss	0V (vss)

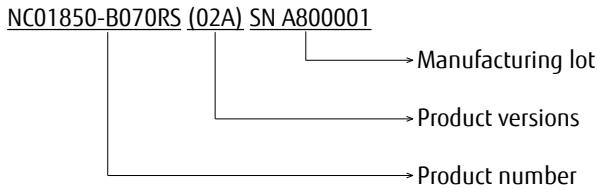
*: Optional: used for plug-n-play detection

Complete specification document is available upon request for customers with whom we have an approved NDA in place.

■ Dimensions



■ Label specification



Product number: NC01850-B070RS

Product versions: 02A

Manufacturing lot: SN G800001 = 2017 (year) 8 (month) No. 00001
 2017 AUG Serial No. 00001

YEAR	MONTH
2017 - G	OCT - 10
2018 - H	NOV - 11
2019 - I	DEC - 12
2020 - J	

Contact

Japan
 FUJITSU COMPONENT LIMITED
 Shinagawa Seaside Park Tower
 12-4, Higashi-shinagawa 4-chome,
 Tokyo 140 0002, Japan
 Tel: (81-3) 3450-1682
 Fax: (81-3) 3474-2385
 Email: fcl-contact@cs.jp.fujitsu.com
 Web: www.fujitsu.com/jp/group/fcl/en/

Europe
 FUJITSU COMPONENTS EUROPE B.V.
 Diamantlaan 25
 2132 WV Hoofddorp
 Netherlands
 Tel: (31-23) 5560910
 Fax: (31-23) 5560950
 Email: info@fceu.fujitsu.com
 Web: emea.fujitsu.com/components/

China
 FUJITSU ELECTRONIC COMPONENTS
 (SHANGHAI) CO., LTD.
 Unit 4306, InterContinental Center
 100 Yu Tong Road, Shanghai 200070, China
 Tel: (86 21) 3253 0998 /Fax: (86 21) 3253 0997
 Email: fcal@sg.fujitsu.com
 www.fujitsu.com/sg/products/devices/
 components/

Korea
 FUJITSU COMPONENTS KOREA, LTD.
 Alpha Tower #403,
 645 Sampyeong-dong,
 Bundang-gu, Seongnam-si,
 Gyeonggi-do, 13524 Korea
 Tel: (82 31) 708-7108
 Fax: (82 31) 709-7108
 Email: fcal@sg.fujitsu.com
 www.fujitsu.com/sg/products/
 devices/components/

North and South America
 FUJITSU COMPONENTS AMERICA, INC.
 2290 North First Street, Suite 212
 San Jose, CA 95131 U.S.A.
 Tel: (1-408) 745-4900
 Fax: (1-408) 745-4970
 Email: components@us.fujitsu.com
 Web: http://us.fujitsu.com/components/

Asia Pacific
 FUJITSU COMPONENTS ASIA, Ltd.
 102E Pasir Panjang Road
 #01-01 Citilink Warehouse Complex,
 Singapore 118529
 Tel: (65) 6375-8560 / Fax: (65) 6273-3021
 Email: fcal@sg.fujitsu.com
 www.fujitsu.com/sg/products/devices/
 components/

Hong Kong
 FUJITSU COMPONENTS HONG KONG Co., Ltd.
 Room 06, 28/F, Greenfield Tower, Concordia
 Plaza, No.1 Science Museum Road,
 Tsim Sha Tsui East, Kowloon, Hong Kong
 Tel: (852) 2881 8495 Fax: (852) 2894 9512
 Email: fcal@sg.fujitsu.com
 www.fujitsu.com/sg/products/devices/
 components/

Copyright

All trademarks or registered trademarks are the property of their respective owners. Fujitsu Components America or its affiliates do not warrant that the content of datasheet is error free. In a continuing effort to improve our products Fujitsu Components America, Inc. or its affiliates reserve the right to change specifications/datasheets without prior notice. Copyright ©2018 Fujitsu Components America, Inc. All rights reserved. Revised September 28, 2018.

X-ON Electronics

Largest Supplier of Electrical and Electronic Components

Click to view similar products for [LCD Touch Panels](#) category:

Click to view products by [Fujitsu](#) manufacturer:

Other Similar products are found below :

[98-0003-2669-8](#) [CABLE/RTP/USB](#) [98-0003-2933-8](#) [17-8041-226](#) [17-8041-227](#) [CABLE/RTP/RS232](#) [N010-0557-T002](#) [N010-0557-T011](#)
[NA5-15W101B-V1](#) [LCDAL04-0430TL0NCNTBR1.0](#) [TP01106W-4KB](#) [FTAS00-15AN-4](#) [FTAS00-12.1AW-4A](#) [17-8021-227](#) [17-8031-205](#)
[17-8031-227](#) [17-8091-203](#) [17-8421-205](#) [17-8421-227](#) [17-8441-205](#) [17-8511-205](#) [17-8541-205](#) [17-8541-226](#) [17-8891-227](#) [17-8901-226](#) [98-](#)
[0003-2185-5](#) [98-0003-2617-7](#) [98-0003-2919-7](#) [98-0003-2955-1](#) [98-0003-3140-9](#) [98-0003-3190-4](#) [98-0003-3505-3](#) [98-1100-0606-5](#) [98-1100-](#)
[0638-8](#) [EA TOUCH240-4](#) [N010-0519-T742](#) [N010-0554-T043](#) [N010-0554-T703](#) [EA TOUCH102-1](#) [EA TOUCH128-1](#) [EA TOUCH128-2](#)
[EA TOUCH160-1](#) [LCD-OLINUXINO-10CTS](#) [TS-320240BRNO](#) [FTAS00-104A5](#) [FTAS00-104AS4](#) [FTAS00-121A4](#) [FTAS00-121A5](#)
[FTAS00-150A5](#) [FTAS225-57AN](#)