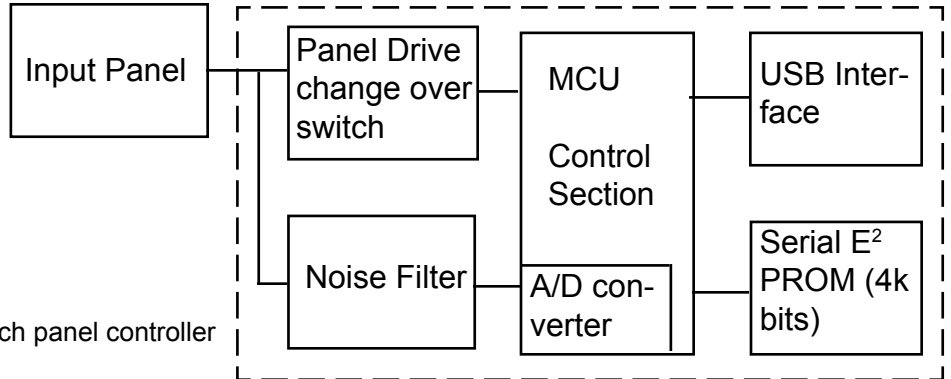


STANDARD Micro Controller Specification

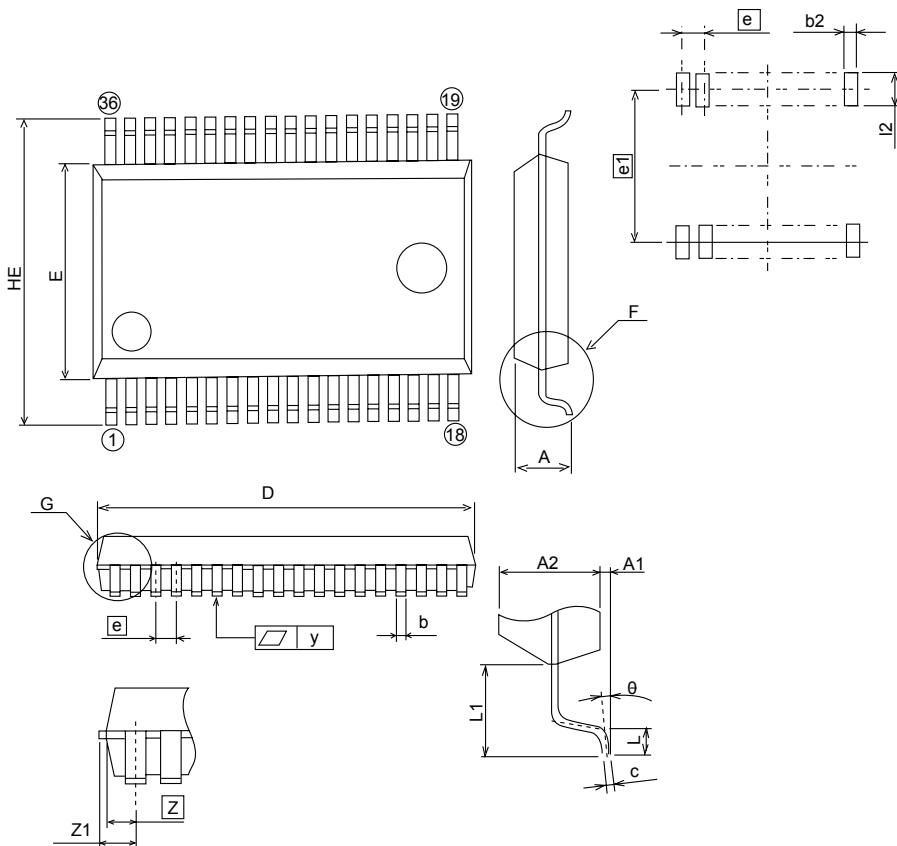
NC41120-0017 USB Interface Controller Chip

7- Wire Summary Sheet



- High quality and reliability touch panel controller
- USB 1.1 Interface
- Used to control the 7-Wire resistive touch panels
- RoHS compliant

■ CONSTRUCTION



Symbol	Dimension in Millimeters		
	Min.	Nom	Max
A	—	—	2.4
A1	0.05	—	—
A2	—	2.0	—
b	0.35	0.4	0.5
c	0.13	0.15	0.2
D	14.8	15.0	15.2
E	8.2	8.4	8.6
e	—	0.8	—
HE	11.62	11.93	12.23
L	0.3	0.5	0.7
L1	—	1.765	—
Z	—	0.7	—
Z1	—	—	0.8
y	—	—	0.15
θ	0°	—	10°
b2	—	0.5	—
e1	—	11.43	—
L2	1.27	—	—

USB Interface Controller Chip

■ INPUT / OUTPUT TERMINAL SUMMARY

No.	Name	I/O	Function
1	Wheel right	I	Right button
2	Wheel left	I	Left button
3	CNTR0	I	Connect to 4 pins
4	EMSR0/PMSR	I	Panel voltage measurement
5	EMSR1/EMSR0	I	Panel voltage measurement
6	EMSR2/EMSR1	I	Panel voltage measurement
7	EMSR2/EMSR2	I	Panel voltage measurement
8	JPHID/EMSR3	I	Select HID class/ panel voltage measurement
9	PID1	O	PID select terminal
10	PID2	O	PID select terminal
11	PID3	O	PID select terminal
12	Vref	-	A/D converter standard voltage input pin
13	Reset	I	Reset input pin
14	CNVss	-	Connect to Vss
15	Vcc	-	Digital power supply pin (5V)
16	Xin	I	Input pin for oscillation
17	Xout	O	Input pin for oscillation
18	Vss	-	Digital power supply pin (0V)
19	OS3	I	Pin for original point selection
20	OS2	I	Pin for original point selection
21	OS1	I	Pin for original point selection
22	WheelUP	I	Upper scroll button
23	WheelDOWN	I	Down scroll button
24	JPMODE	I	Select 4-wire or 7-wire
25	Module Disable	I	Disconnection operate simulation term
26	USBVref	O	USB standard voltage output pin
27	PSW3	O	Output pin for panel drive switch control
28	PSW4	O	Output pin for panel drive switch control
29	PSW1	O	Output pin for panel drive switch control
30	PSW2	O	Output pin for panel drive switch control
31	PSW0	O	Output pin for panel drive switch control
32	ButtonLeft	I	Left Button
33	ButtonRight	I	Right Button
34	ButtonMiddle	I	Center Button
35	USB D-	I/O	USB input/output terminal
36	USB D+	I/O	USB input/output terminal

USB Interface Controller Chip

■ PART NUMBER OF COMPLETE CHIP SPECIFICATION

Complete specification document is available on request for customers with whom we have an approved NDA in place.

Fujitsu Components International Headquarter Offices

Japan

Fujitsu Component Limited
Gotanda-Chuo Building
3-5, Higashigotanda 2-chome, Shinagawa-ku
Tokyo 141, Japan
Tel: (81-3) 5449-7010
Fax: (81-3) 5449-2626
Email: promothq@ft.ed.fujitsu.com
Web: www.fcl.fujitsu.com

North and South America

Fujitsu Components America, Inc.
250 E. Caribbean Drive
Sunnyvale, CA 94089 U.S.A.
Tel: (1-408) 745-4900
Fax: (1-408) 745-4970
Email: components@us.fujitsu.com
Web: <http://www.fujitsu.com/us/services/edevice/components/>

Europe

Fujitsu Components Europe B.V.
Diamantlaan 25
2132 WV Hoofddorp
Netherlands
Tel: (31-23) 5560910
Fax: (31-23) 5560950
Email: info@fceu.fujitsu.com
Web: emea.fujitsu.com/components/

Asia Pacific

Fujitsu Components Asia Ltd.
102E Pasir Panjang Road
#01-01 Citilink Warehouse Complex
Singapore 118529
Tel: (65) 6375-8560
Fax: (65) 6273-3021
Email: fcalfcal.fujitsu.com
Web: <http://www.fujitsu.com/sg/services/micro/components/>

©2006 Fujitsu Components America, Inc. All rights reserved. All trademarks or registered trademarks are the property of their respective owners.

Fujitsu Components America or its affiliates do not warrant that the content of datasheet is error free. In a continuing effort to improve our products Fujitsu Components America, Inc. or its affiliates reserve the right to change specifications/datasheets without prior notice.
Rev. May 23/2006

X-ON Electronics

Largest Supplier of Electrical and Electronic Components

Click to view similar products for [LCD Touch Panels](#) category:

Click to view products by [Fujitsu](#) manufacturer:

Other Similar products are found below :

[98-0003-2669-8](#) [CABLE/RTP/USB](#) [98-0003-2933-8](#) [17-8041-226](#) [17-8041-227](#) [CABLE/RTP/RS232](#) [N010-0557-T002](#) [N010-0557-T011](#)
[NA5-15W101B-V1](#) [LCDAL04-0430TL0NCNTBR1.0](#) [TP01106W-4KB](#) [FTAS00-15AN-4](#) [FTAS00-12.1AW-4A](#) [17-8021-227](#) [17-8031-205](#)
[17-8031-227](#) [17-8091-203](#) [17-8421-205](#) [17-8421-227](#) [17-8441-205](#) [17-8511-205](#) [17-8541-205](#) [17-8541-226](#) [17-8891-227](#) [17-8901-226](#) [98-](#)
[0003-2185-5](#) [98-0003-2617-7](#) [98-0003-2919-7](#) [98-0003-2955-1](#) [98-0003-3140-9](#) [98-0003-3190-4](#) [98-0003-3505-3](#) [98-1100-0606-5](#) [98-1100-](#)
[0638-8](#) [EA TOUCH240-4](#) [N010-0519-T742](#) [N010-0554-T043](#) [N010-0554-T703](#) [EA TOUCH102-1](#) [EA TOUCH128-1](#) [EA TOUCH128-2](#)
[EA TOUCH160-1](#) [LCD-OLINUXINO-10CTS](#) [TS-320240BRNO](#) [FTAS00-104A5](#) [FTAS00-104AS4](#) [FTAS00-121A4](#) [FTAS00-121A5](#)
[FTAS00-150A5](#) [FTAS225-57AN](#)