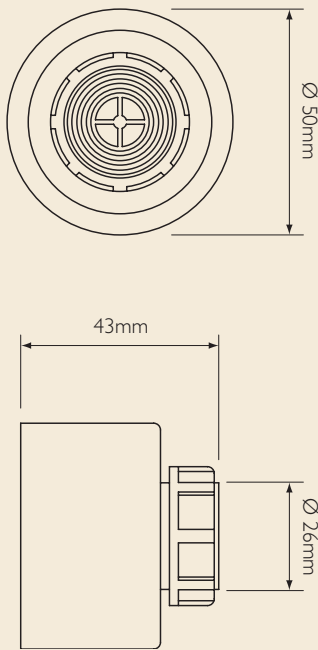


ASKARI PANEL PROCESS SOUNDERS



Specification

Voltage	9 - 28Vdc
Current	18mA @ 24Vdc
Temperature	- 25°C to + 70°C
Sound Output	92dB(A) at 24Vdc
Tones	32
IP Rating	IP65
Weight	0.95Kg
Colour	Red or White

A compact sounder, purpose designed to fit through the fascias of control panels or equipment housings. The single nut fixing ensures simple installation and maximum audibility, while the high IP rating allows installation in most process and industrial environments.

- THROUGH PANEL FIXING
- LOW CURRENT CONSUMPTION
- 32 TONES
- AUTOMATIC SYNCHRONISATION
- SECOND TONE FOR TWO STAGE ALARMS

X-ON Electronics

Largest Supplier of Electrical and Electronic Components

Click to view similar products for [fulleon](#) manufacturer:

Other Similar products are found below :

[SYHO/R](#) [1320-24](#) [ROLP/R/MAINS BASE](#) [FL/AL/W/S](#) [CFB6D24](#) [ROLP/SV/W/D](#) [FL/SV/AL/W/D](#) [531036FULL-0073](#) [666156FULL-1101X](#) [FL/SV/RL/R/D](#) [ROLP/SV/R/S](#) [AP/W/SWITCHED/VC](#)