



# 深圳市富满电子集团股份有限公司

SHEN ZHEN FINE MADE ELECTRONICS GROUP CO., LTD.

**3050K** (文件编号: S&CIC1691)

## N-Channel Trench Power MOSFET

### N-Channel Trench Power MOSFET

#### General Description

The 3050K uses advanced trench technology to provide excellent  $R_{DS(ON)}$ , low gate charge and operation with gate voltages as low as 4.5V. This device is suitable for use as a wide variety of applications.

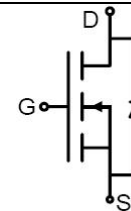
#### Features

- $V_{DS} = 30V, I_D = 50A$   
 $R_{DS(ON)} < 9m\Omega @ V_{GS} = 10V$   
 $R_{DS(ON)} < 17m\Omega @ V_{GS} = 4.5V$
- High Power and current handing capability
- Lead free product is acquired
- Surface Mount Package

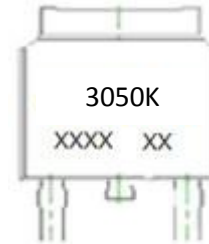
#### Application

- PWM applications
- Load switch
- Power management

**100% UIS TESTED!**  
**100%  $\Delta V_{ds}$  TESTED!**



Schematic Diagram



Marking and pin Assignment



TO-252(DPAK) top view

#### Package Marking and Ordering Information

Device Marking	Device	Device Package	Reel Size	Tape width	Quantity
3050K	3050K	TO-252	325mm	16mm	2500

Table 1. Absolute Maximum Ratings ( $T_A=25^\circ C$ )

Symbol	Parameter	Value	Unit
$V_{DS}$	Drain-Source Voltage ( $V_{GS}=0V$ )	30	V
$V_{GS}$	Gate-Source Voltage ( $V_{DS}=0V$ )	$\pm 20$	V
$I_D$	Drain Current-Continuous( $T_c=25^\circ C$ ) (Note 1)	50	A
	Drain Current-Continuous( $T_c=100^\circ C$ )	35	A
$I_{DM (pluse)}$	Drain Current-Continuous@ Current-Pulsed (Note 2)	200	A
$P_D$	Maximum Power Dissipation( $T_c=25^\circ C$ )	50	W
	Maximum Power Dissipation( $T_c=100^\circ C$ )	25	W
$E_{AS}$	Avalanche energy (Note 3)	90	mJ
$T_J, T_{STG}$	Operating Junction and Storage Temperature Range	-55 To 175	$^\circ C$

Table 2. Thermal Characteristic

Symbol	Parameter	Typ	Max	Unit
$R_{\theta JC}$	Thermal Resistance, Junction-to-Case	-	3	$^\circ C/W$



# 深圳市富满电子集团股份有限公司

SHEN ZHEN FINE MADE ELECTRONICS GROUP CO., LTD.

3050K (文件编号: S&CIC1691)

## N-Channel Trench Power MOSFET

**Table 3. Electrical Characteristics (TA=25°C unless otherwise noted)**

Symbol	Parameter	Conditions	Min	Typ	Max	Unit
<b>On/Off States</b>						
BV <sub>DSS</sub>	Drain-Source Breakdown Voltage	V <sub>GS</sub> =0V I <sub>D</sub> =250μA	30			V
I <sub>DSS</sub>	Zero Gate Voltage Drain Current	V <sub>DS</sub> =30V, V <sub>GS</sub> =0V			1	μA
I <sub>GSS</sub>	Gate-Body Leakage Current	V <sub>GS</sub> =±20V, V <sub>DS</sub> =0V			±100	nA
V <sub>GS(th)</sub>	Gate Threshold Voltage	V <sub>DS</sub> =V <sub>GS</sub> , I <sub>D</sub> =250μA	1.0	1.5	2.5	V
g <sub>FS</sub>	Forward Transconductance	V <sub>DS</sub> =5V, I <sub>D</sub> =20A	10	20		S
R <sub>DS(ON)</sub>	Drain-Source On-State Resistance	V <sub>GS</sub> =10V, I <sub>D</sub> =20A		7.2	9.0	mΩ
		V <sub>GS</sub> =4.5V, I <sub>D</sub> =15A		11	17	mΩ
<b>Dynamic Characteristics</b>						
C <sub>iss</sub>	Input Capacitance	V <sub>DS</sub> =15V, V <sub>GS</sub> =0V, f=1.0MHz		1050		pF
C <sub>oss</sub>	Output Capacitance			145		pF
C <sub>rss</sub>	Reverse Transfer Capacitance			120		pF
R <sub>g</sub>	Gate resistance	V <sub>GS</sub> =0V, V <sub>DS</sub> =0V, f=1.0MHz		2		Ω
<b>Switching Times</b>						
t <sub>d(on)</sub>	Turn-on Delay Time	V <sub>GS</sub> =10V, V <sub>DS</sub> =15V, R <sub>L</sub> =0.75Ω, R <sub>GEN</sub> =3Ω		7		nS
t <sub>r</sub>	Turn-on Rise Time			22		nS
t <sub>d(off)</sub>	Turn-Off Delay Time			30		nS
t <sub>f</sub>	Turn-Off Fall Time			5		nS
Q <sub>g</sub>	Total Gate Charge	V <sub>GS</sub> =10V, V <sub>DS</sub> =25V, I <sub>D</sub> =12A		22		nC
Q <sub>gs</sub>	Gate-Source Charge			4		nC
Q <sub>gd</sub>	Gate-Drain Charge			7		nC
<b>Source-Drain Diode Characteristics</b>						
I <sub>SD</sub>	Source-Drain Current(Body Diode)				50	A
V <sub>SD</sub>	Forward on Voltage	V <sub>GS</sub> =0V, I <sub>S</sub> =20A			1.2	V

Notes 1.The maximum current rating is package limited.

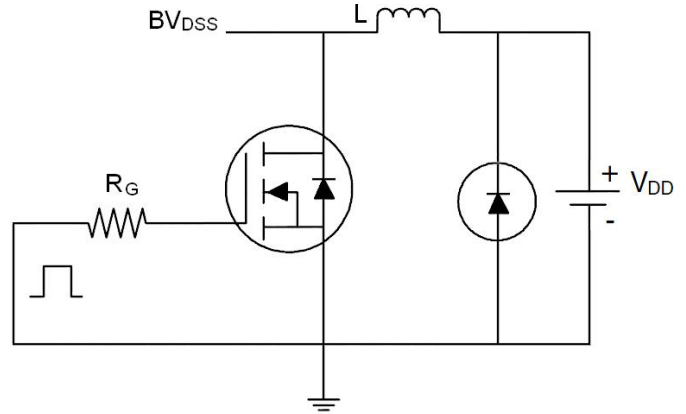
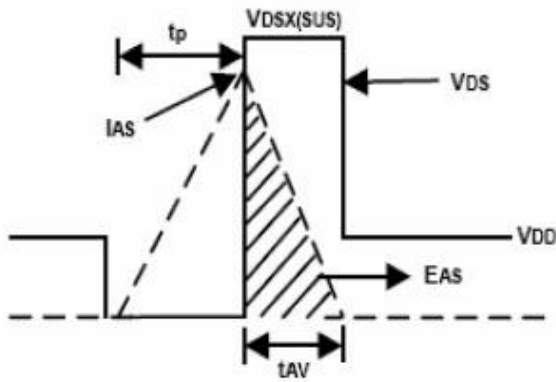
Notes 2.Repetitive Rating: Pulse width limited by maximum junction temperature

Notes 3.EAS condition: T<sub>J</sub>=25°C, V<sub>DD</sub>=30V, V<sub>G</sub>=10V, R<sub>G</sub>=25Ω

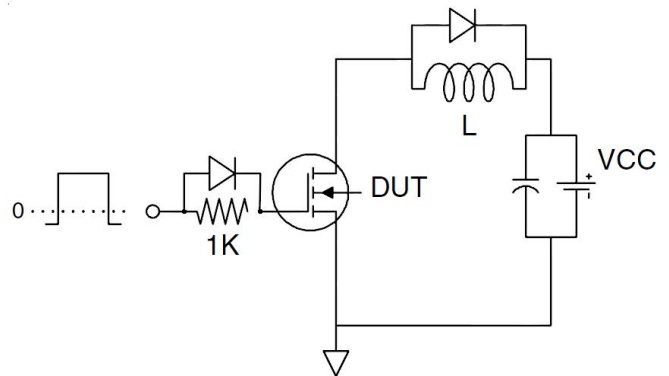
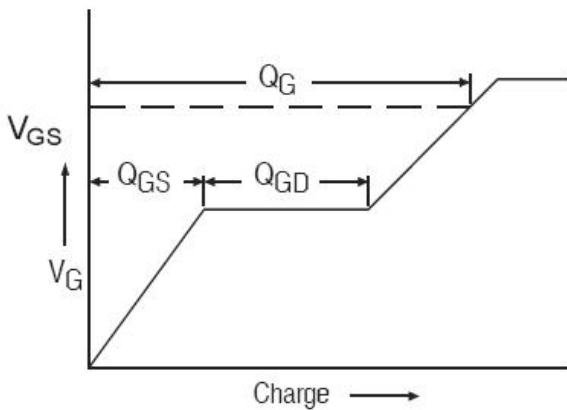


### Test Circuit

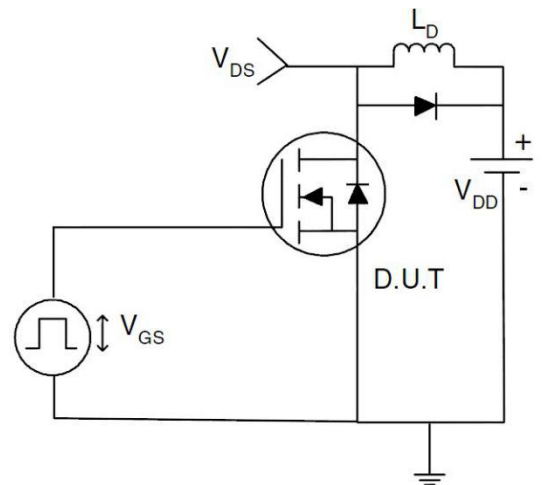
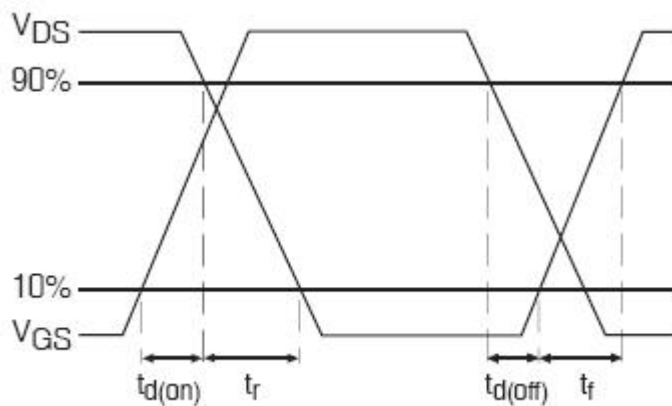
#### 1) $E_{AS}$ Test Circuits



#### 2) Gate Charge Test Circuit:



#### 3) Switch Time Test Circuit:





# 深圳市富满电子集团股份有限公司

SHEN ZHEN FINE MADE ELECTRONICS GROUP CO., LTD.

3050K (文件编号: S&CIC1691)

## N-Channel Trench Power MOSFET

### TYPICAL ELECTRICAL AND THERMAL CHARACTERISTICS(Curves)

Figure 1. Output Characteristics

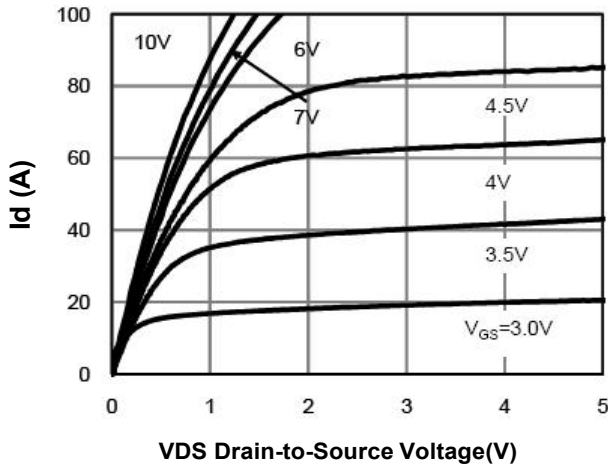


Figure 2. Transfer Characteristics

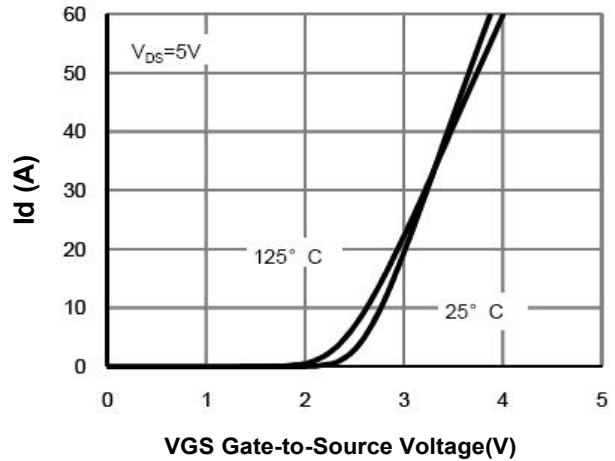


Figure 3. Max  $BV_{DSS}$  vs Junction Temperature

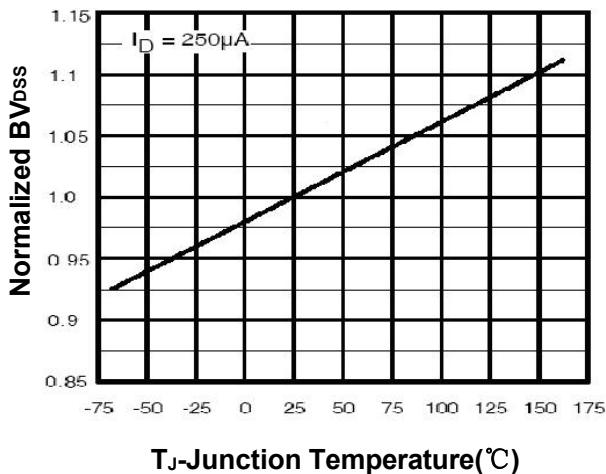


Figure 4. Drain Current

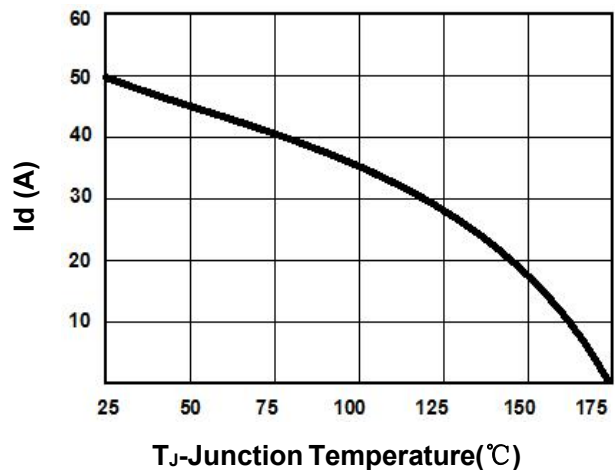


Figure 5.  $V_{GS(th)}$  vs Junction Temperature

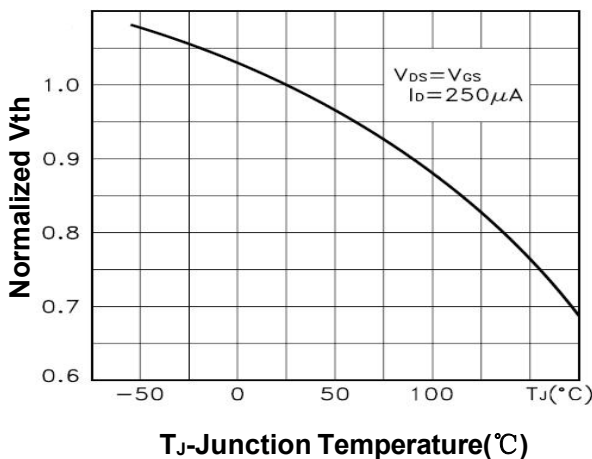
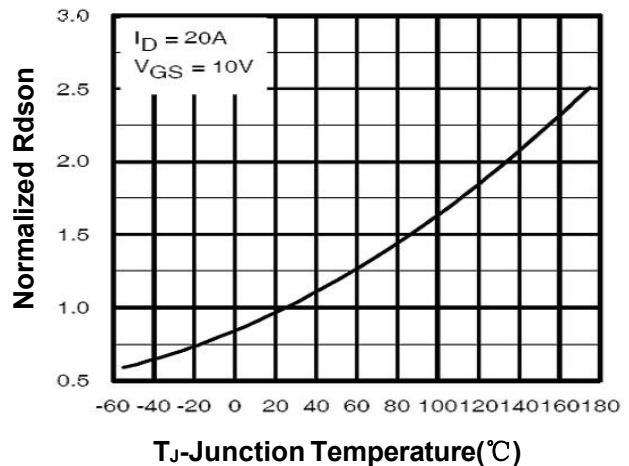


Figure 6.  $R_{DS(on)}$  vs Junction Temperature





# 深圳市富满电子集团股份有限公司

SHEN ZHEN FINE MADE ELECTRONICS GROUP CO., LTD.

3050K (文件编号: S&CIC1691)

## N-Channel Trench Power MOSFET

Figure 7. Gate Charge Waveforms

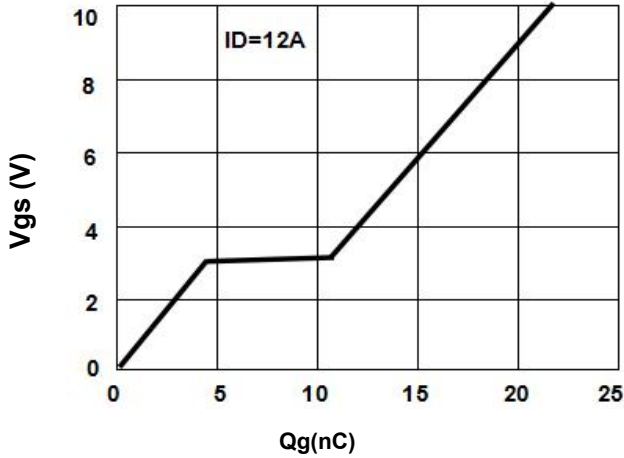


Figure 8. Capacitance

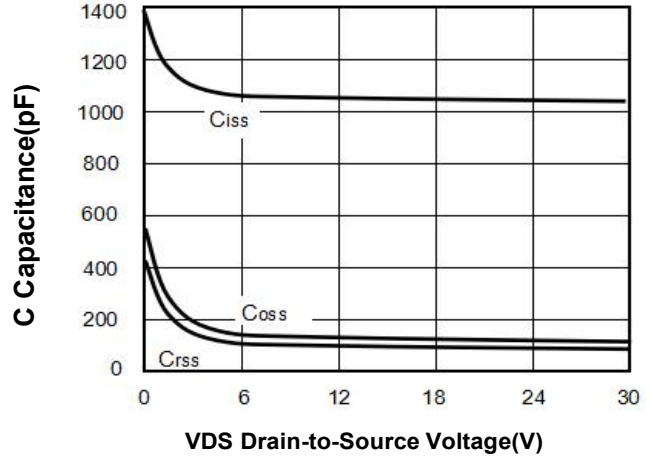


Figure 9. Body-Diode Characteristics

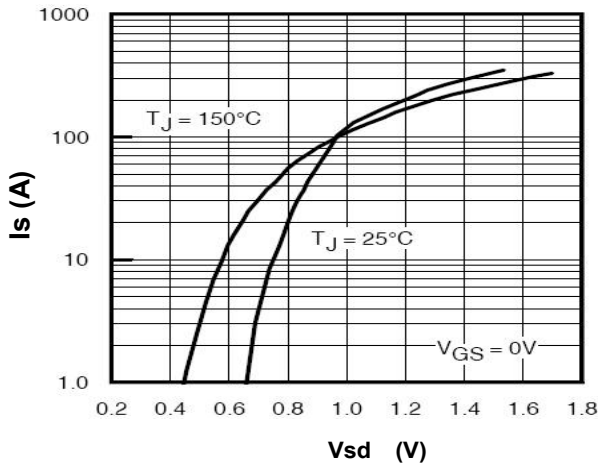


Figure 10. Maximum Safe Operating Area

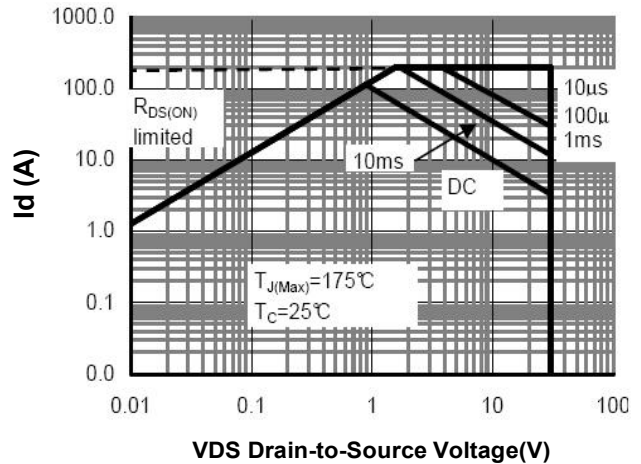
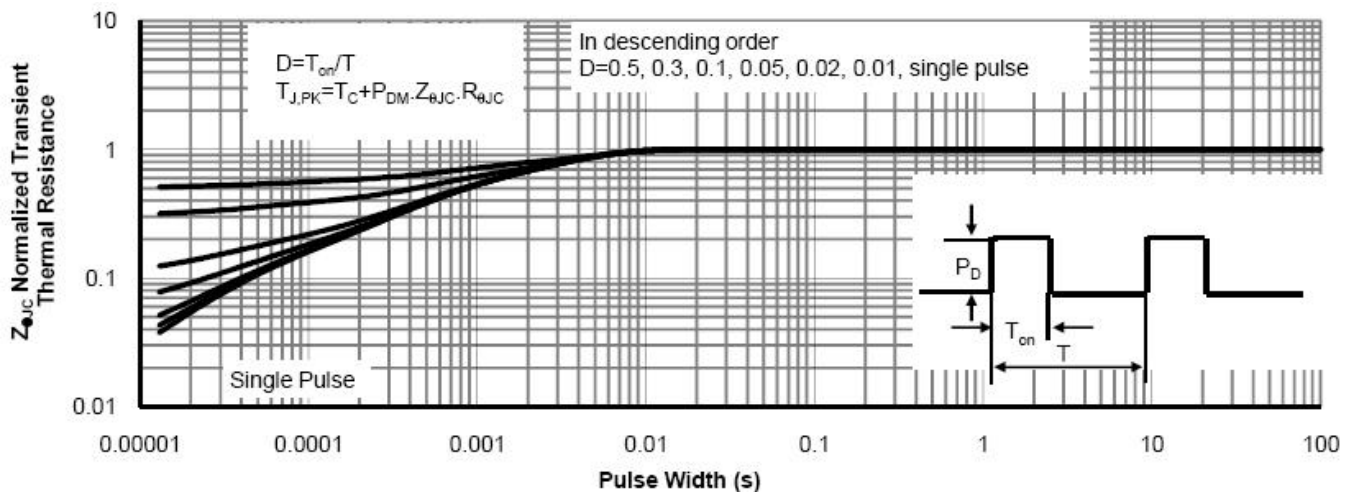


Figure 11. Normalized Maximum Transient Thermal Impedance





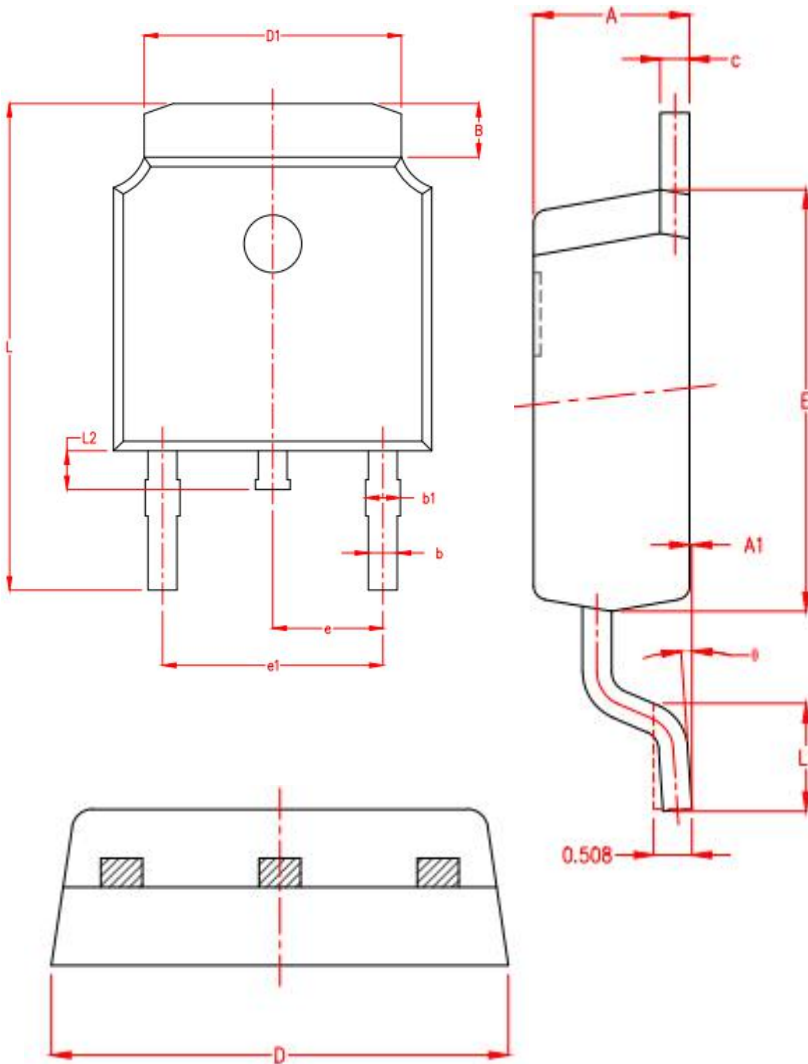
# 深圳市富满电子集团股份有限公司

SHEN ZHEN FINE MADE ELECTRONICS GROUP CO., LTD.

3050K (文件编号: S&CIC1691)

## N-Channel Trench Power MOSFET

### TO-252 Package Information



SYMBOL	MILLIMETER		
	MIN	NOM	MAX
A	2.15	2.25	2.35
A1	0.00	0.06	0.12
B	0.96	1.11	1.26
b	0.59	0.69	0.79
b1	0.69	0.81	0.93
c	0.34	0.42	0.50
D	6.45	6.60	6.75
D1	5.23	5.33	5.43
E	5.95	6.10	6.25
e	2.286TYP.		
e1	4.47	4.57	4.67
L	9.90	10.10	10.30
L1	1.40	1.55	1.70
L2	0.60	0.80	1.00
θ	0°	4°	8°



## X-ON Electronics

Largest Supplier of Electrical and Electronic Components

*Click to view similar products for [MOSFET](#) category:*

*Click to view products by [Fuman](#) manufacturer:*

Other Similar products are found below :

[614233C](#) [648584F](#) [MCH3443-TL-E](#) [MCH6422-TL-E](#) [FDPF9N50NZ](#) [FW216A-TL-2W](#) [FW231A-TL-E](#) [APT5010JVR](#) [NTNS3A92PZT5G](#)  
[IRF100S201](#) [JANTX2N5237](#) [2SK2464-TL-E](#) [2SK3818-DL-E](#) [FCA20N60\\_F109](#) [FDZ595PZ](#) [STD6600NT4G](#) [FSS804-TL-E](#) [2SJ277-DL-E](#)  
[2SK1691-DL-E](#) [2SK2545\(Q,T\)](#) [D2294UK](#) [405094E](#) [423220D](#) [MCH6646-TL-E](#) [TPCC8103,L1Q\(CM](#) [367-8430-0972-503](#) [VN1206L](#)  
[424134F](#) [026935X](#) [051075F](#) [SBVS138LT1G](#) [614234A](#) [715780A](#) [NTNS3166NZT5G](#) [751625C](#) [873612G](#) [IRF7380TRHR](#)  
[IPS70R2K0CEAKMA1](#) [RJK60S3DPP-E0#T2](#) [RJK60S5DPK-M0#T0](#) [APT5010JVFR](#) [APT12031JFLL](#) [APT12040JVR](#) [DMN3404LQ-7](#)  
[NTE6400](#) [JANTX2N6796U](#) [JANTX2N6784U](#) [JANTXV2N5416U4](#) [SQM110N05-06L-GE3](#) [SIHF35N60E-GE3](#)