



74HC04/74HCT04(文件编号: S&CIC0463)

FEATURES

- Complies with JEDEC standard no. 8-1A
- ESD protection
HBM EIA/JESD22-A114-A exceeds 2000V
MM EIA/JESD22-A115-A exceeds 200V
- Specified from -40 to +85°C and -40 to +125°C

DESCRIPTION

The 74HC04/74HCT04 are high-speed Si-gate CMOS devices and are pin compatible with low power Schottky TTL (LSTTL). They are specified in compliance with JEDEC standard no. 7A. The 74HC04/74HCT04 provide six inverting buffers.

QUICK REFERENCE DATA

GND = 0V; $T_{amb} = 25^{\circ}\text{C}$; $t_f = t_r \leq 6.0\text{ns}$

SYMBOL	PARAMETER	CONDITIONS	TYPICAL		UNIT
			HC04	HCT04	
T_{PLH}/t_{PLH}	Propagation delay nA to nY	$C_L = 15\text{pF}; V_{CC} = 5\text{V}$	7	8	ns
C_I	Input capacitance		3.5	3.4	pF
C_{PD}	Power dissipation capacitance per gate	Notes 1 and 2	21	24	pF

Notes

1. C_{PD} is used to determine the dynamic power dissipation (P_D in uW).

$$P_D = C_{PD} \times V_{CC}^2 \times f_i \times N + \sum (C_L \times V_{CC}^2 \times f_o)$$

where:

f_i = input frequency in MHz;

f_o = output frequency in MHz;

C_L = output load capacitance in pF;

V_{CC} = supply voltage in volts;

N = total load switching outputs;

2. For 74HC04: the condition is $V_I = \text{GND to } V_{CC}$.

For 74HCT04: the condition is $V_I = \text{GND to } V_{CC}-1.5\text{V}$

FUNCTION TABLE

See note 1.

INPUT	OUTPUT
nA	nY
L	H
H	L

Note

1. H = HIGH voltage level;

L = LOW voltage level.



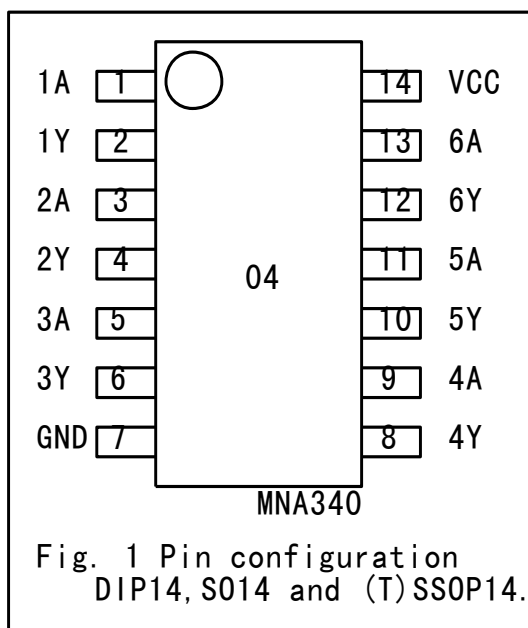
74HC04/74HCT04(文件编号: S&CIC0463)

ORDERING INFORMATION

TYPE NUMBER	PACKAGE				
	TEMPERATURE RANGE	PINS	PACKAGE	MATERIAL	CODE
74HC04N	-40 to +125°C	14	DIP14	Plastic	SOT27-1
74HCT04N	-40 to +125°C	14	DIP14	Plastic	SOT27-1
74HC04D	-40 to +125°C	14	SO14	Plastic	SOT108-1
74HCT04D	-40 to +125°C	14	SO14	Plastic	SOT108-1
74HC04DB	-40 to +125°C	14	SSOP14	Plastic	SOT337-01
74HCT04DB	-40 to +125°C	14	SSOP14	Plastic	SOT337-01
74HC04PW	-40 to +125°C	14	TSSOP14	Plastic	SOT402-1
74HCT04PW	-40 to +125°C	14	TSSOP14	Plastic	SOT402-1
74HC04BQ	-40 to +125°C	14	DHVQF14	Plastic	SOT762-1
74HCT04BQ	-40 to +125°C	14	DHVQF14	Plastic	SOT762-1

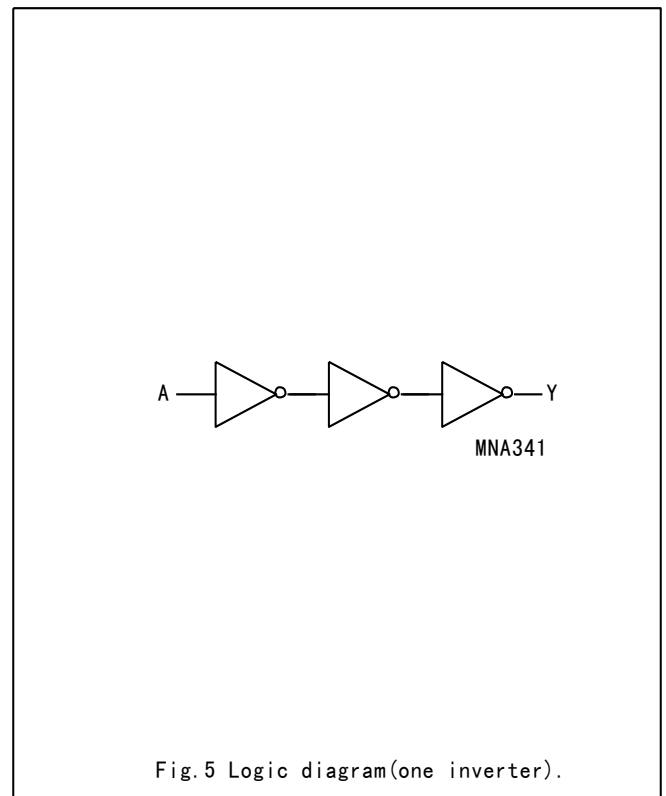
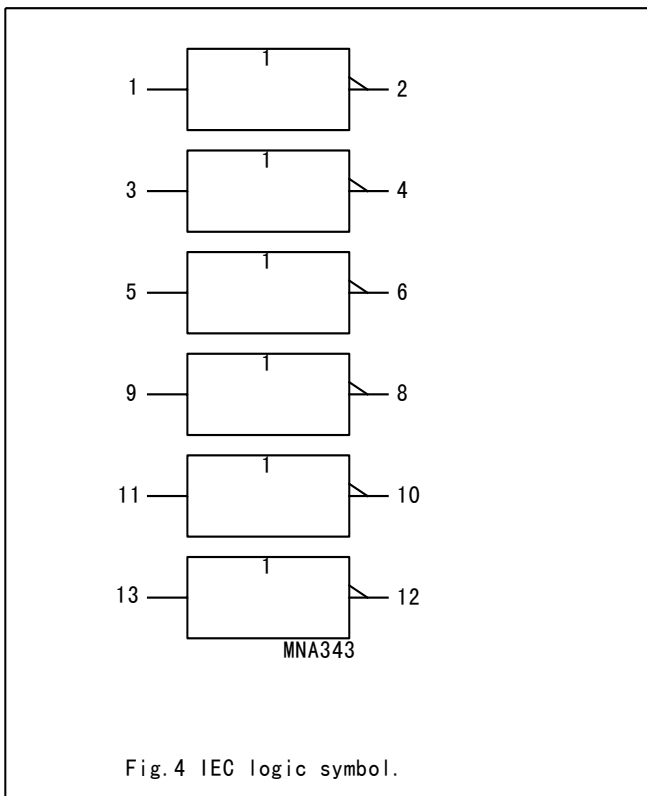
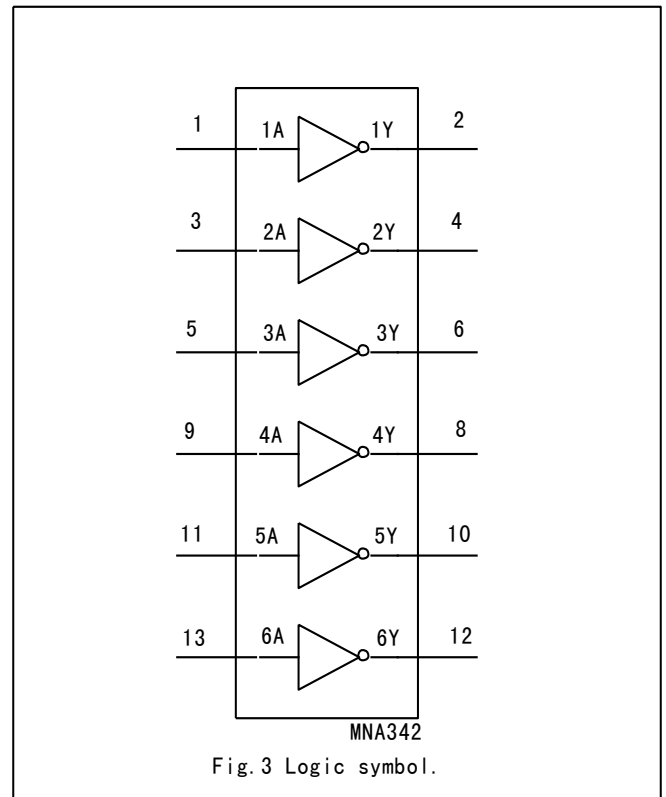
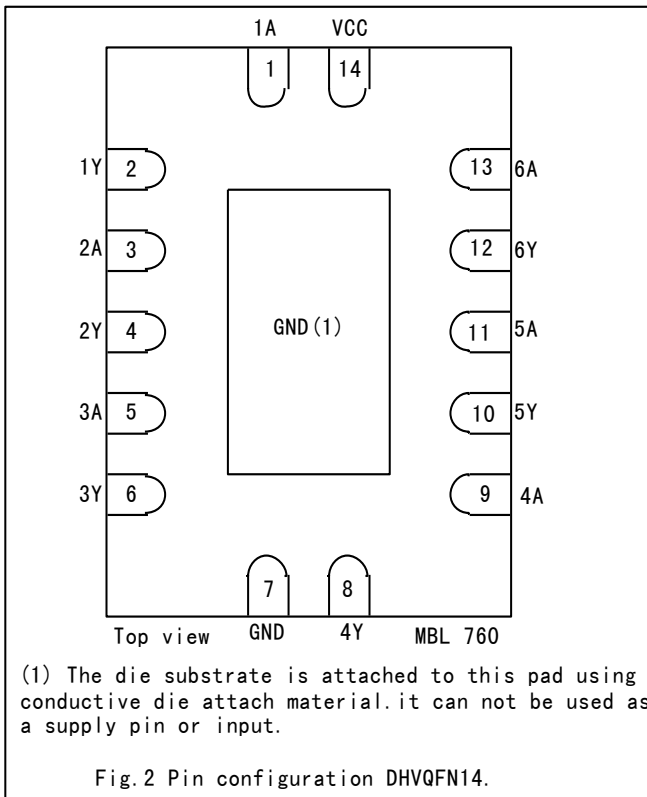
PINNING

PIN	SYMBOL	DESCRIPTION
1	1A	Data input
2	1Y	Data output
3	2A	Data input
4	2Y	Data output
5	3A	Data input
6	3Y	Data output
7	GND	Ground (0V)
8	4Y	Data output
9	4A	Data input
10	5Y	Data output
11	5A	Data input
12	6Y	Data output
13	6A	Data input
14	VCC	Supply voltage





74HC04/74HCT04(文件编号: S&CIC0463)





74HC04/74HCT04(文件编号: S&CIC0463)

RECOMMENDED OPERATING CONDITIONS

SYMBOL	PARAMETER	CONDITIONS	74HC04			74HCT04			UNIT
			MIN	TYP	MAX	MIN	TYP	MAX	
VCC	Supply voltage		2.0	5.0	6.0	4.5	5.0	5.5	V
VI	Input voltage		0	-	Vcc	0	-	Vcc	V
VO	Output voltage		0	-	Vcc	0	-	Vcc	V
Tamb	Ambient temperature	See DC and AC Characteristics per Device	-40	+25	+125	-40	+25	+125	°C
tr, tf	Input rise and fall times	Vcc = 2.0V	-	-	1000	-	-	-	ns
		Vcc = 4.5V	-	6.0	500	-	6.0	500	ns
		Vcc = 6.0V	-	-	400	-	-	-	ns

LIMITING VALUES

In accordance with the absolute maximum rating system (IEC 60134); voltages are referenced to GND (fround = 0V)

SYMBOL	PARAMETER	CONDITIONS	MIN	TYP	MAX
Vcc	Supply voltage		-0.5	+7.0	V
I _{IK}	Input diode current	V _I < -0.5V < or V _I < Vcc + 0.5V	-	±20	mA
I _{OK}	Output diode curren	V _O < -0.5V < or V _O < Vcc + 0.5V	-	±20	mA
I _O	Output source of sink current	-0.5V < V _O < Vcc + 0.5V	-	±25	mA
I _{cc} , I _{GND}	Vcc or GND curren		-	±50	mA
T _{stg}	Storage temperature		-65	±150	°C
P _{tot}	Power dissipation				
	DIP 14 package	T _{amb} = -40 to +125°C; note 1	-	750	mW
	Other packages	T _{amb} = -40 to +125°C; note 2	-	500	mW

Notes

- For DIP14 packages: above 70°C derate linearly with 12 mW/K.
- For SO14 packages: above 70°C derate linearly with 8 mW/K.
For SSOP14 and TSSOP14 packages: above 60°C derate linearly with 5.5mW/K.
For DHVQFN14 packages: above 60°C derate linearly with 4.5mW/K.



74HC04/74HCT04(文件编号: S&CIC0463)

DC CHARACTERISTICS

Type 74HC04

At recommended operating conditions; voltages are referenced to GND (ground = 0V).

SYMBOL	PARAMETER	TEST CONDITIONS		MIN	TYP	MAX	UNIT
		OTHER	V _{CC} (V)				
T _{amb} = 25°C							
V _{IH}	HIGH-level input voltage		2.0	1.5	1.2	-	V
			4.5	3.15	2.4	-	V
			6.0	4.2	3.2	-	V
V _{IL}	LOW-level input voltage		2.0	-	0.8	0.5	V
			4.5	-	2.1	1.35	V
			6.0	-	2.8	1.8	V
V _{OH}	HIGH-level output voltage	V _I = V _{IH} or V _{IL}					
		I _O = -20uA	2.0	1.9	2.0	-	V
		I _O = -20uA	4.5	4.4	4.5	-	V
		I _O = -4.0mA	4.5	3.98	4.32	-	V
		I _O = -20uA	6.0	5.9	6.0	-	V
V _{OL}	LOW-level output voltage						
		I _O = 20uA	2.0	-	0	0.1	V
		I _O = 20uA	4.5	-	0	0.1	V
		I _O = 4.0uA	4.5	-	0.15	0.26	V
		I _O = 20uA	6.0	-	0	0.1	V
		I _O = 5.2uA	6.0	-	0.16	0.26	V
I _{LI}	Input leakage current	V _I = V _{CC} or GND	6.0	-	0.1	±0.1	uA
I _{OZ}	3-state output OFF current	V _I = V _{IH} or V _{IL} ; V _O = V _{CC} or GND	6.0	-	-	±0.5	uA
I _{CC}	Quiescent supply current	V _I = V _{CC} or GND; I _O = 0	6.0	-	-	2	uA



74HC04/74HCT04(文件编号: S&CIC0463)

SYMBOL	PARAMETER	TEST CONDITIONS		MIN	TYP	MAX	UNIT
		OTHER	V _{CC} (V)				
T _{amb} = -40 to +85°C							
V _{IH}	HIGH-level input voltage		2.0	1.5	-	-	V
			4.5	3.15	-	-	V
			6.0	4.2	-	-	V
V _{IL}	LOW-level input voltage		2.0	-	-	0.5	V
			4.5	-	-	1.35	V
			6.0	-	-	1.8	V
V _{OH}	HIGH-level output voltage	V _I = V _{IH} or V _{IL}					
		I _O = -20uA	2.0	1.9	-	-	V
		I _O = -20uA	4.5	4.4	-	-	V
		I _O = -4.0mA	4.5	3.84	-	-	V
		I _O = -20uA	6.0	5.9	-	-	V
V _{OL}	LOW-level output voltage						
		I _O = 20uA	2.0	-	-	0.1	V
		I _O = 20uA	4.5	-	-	0.1	V
		I _O = 4.0uA	4.5	-	-	0.33	V
		I _O = 20uA	6.0	-	-	0.1	V
I _{LI}	Input leakage current						
		V _I = V _{CC} or GND	6.0	-	-	±0.1	uA
I _{OZ}	3-state output OFF current	V _I = V _{IH} or V _{IL} ; V _O = V _{CC} or GND	6.0	-	-	±5.0	uA
I _{CC}	Quiescent supply current	V _I = V _{CC} or GND; I _O = 0	6.0	-	-	20	uA



74HC04/74HCT04(文件编号: S&CIC0463)

SYMBOL	PARAMETER	TEST CONDITIONS		MIN	TYP	MAX	UNIT
		OTHER	V _{CC} (V)				
T _{amb} = -40 to +125°C							
V _{IH}	HIGH-level input voltage		2.0	1.5	-	-	V
			4.5	3.15	-	-	V
			6.0	4.2	-	-	V
V _{IL}	LOW-level input voltage		2.0	-	-	0.5	V
			4.5	-	-	1.35	V
			6.0	-	-	1.8	V
V _{OH}	HIGH-level output voltage	V _I = V _{IH} or V _{IL}					
		I _O = -20uA	2.0	1.9	-	-	V
		I _O = -20uA	4.5	4.4	-	-	V
		I _O = -20 uA	6.0	5.9	-	-	V
		I _O = -4.0mA	4.5	3.7	-	-	V
		I _O = -5.2mA	6.0	5.2	-	-	V
V _{OL}	LOW-level output voltage	I _O =20uA	2.0	-	-	0.1	V
		I _O =20uA	4.5	-	-	0.1	V
		I _O =20uA	6.0	-	-	0.1	V
		I _O =4.0uA	4.5	-	-	0.4	V
		I _O =5.2uA	6.0	-	-	0.4	V
I _{LI}	Input leakage current	V _I = V _{CC} or GND	6.0	-	-	±1.0	uA
I _{OZ}	3-state output OFF current	V _I = V _{IH} or V _{IL} ; V _O = V _{CC} or GND	6.0	-	-	±10.0	uA
I _{CC}	Quiescent supply current	V _I = V _{CC} or GND; I _O = 0	6.0	-	-	40	uA



74HC04/74HCT04(文件编号: S&CIC0463)

Type 74HCT04

At recommended operating conditions; voltages are referenced to GND (ground = 0V).

SYMBOL	PARAMETER	TEST CONDITIONS		MIN	TYP	MAX	UNIT
		OTHER	V _{cc} (V)				
T _{amb} = 25°C							
V _{IH}	HIGH-level input voltage		4.5 to 5.5	2.0	1.6	-	V
V _{IL}	LOW-level input voltage		4.5 to 5.5	-	1.2	0.8	V
V _{OH}	HIGH-level output voltage	V _I = V _{IH} or V _{IL}					
		I _O = -20 uA	4.5	4.4	4.5	-	V
		I _O = -4.0mA	4.5	3.84	4.32	-	V
V _{OL}	LOW-level output voltage	V _I = V _{IH} or V _{IL}					
		I _O = 20 uA	4.5	-	0	0.1	V
		I _O = 4.0mA	4.5	-	0.15	0.26	V
I _{LI}	Input leakage current	V _I = V _{cc} or GND	5.5	-	-	±0.1	uA
I _{OZ}	3-state output OFF current	V _I = V _{IH} or V _{IL}	5.5	-	-	±0.5	uA
		V _I = V _{cc} or GND					
		I _O = 0					
I _{cc}	Quiescent supply current	V _I = V _{cc} or GND I _O = 0	5.5	-	-	2	uA
ΔI _{cc}	Abbtional supply current per input	V _I = V _{cc} -2.1V I _O = 0	4.5 to 5.5	-	120	432	uA
T _{amb} = -40 to +85°C							
V _{IH}	HIGH-level input voltage		4.5 to 5.5	2.0	-	-	V
V _{IL}	LOW-level input voltage		4.5 to 5.5	-	-	0.8	V
V _{OH}	HIGH-level output voltage	V _I = V _{IH} or V _{IL}					
		I _O = -20 uA	4.5	4.4	-	-	V
		I _O = -4.0mA	4.5	3.84	-	-	V
V _{OL}	LOW-level output voltage	V _I = V _{IH} or V _{IL}					
		I _O = 20 uA	4.5	-	-	0.1	V
		I _O = 4.0mA	4.5	-	-	0.33	V
I _{LI}	Input leakage current	V _I = V _{cc} or GND	5.5	-	-	±1.0	uA
I _{OZ}	3-state output OFF current	V _I = V _{IH} or V _{IL}	5.5	-	-	±5.0	uA
		V _I = V _{cc} or GND					
		I _O = 0					
I _{cc}	Quiescent supply current	V _I = V _{cc} or GND I _O = 0	5.5	-	-	20	uA
ΔI _{cc}	Abbtional supply current per input	V _I = V _{cc} -2.1V I _O = 0	4.5 to 5.5	-	-	540	uA



74HC04/74HCT04(文件编号: S&CIC0463)

SYMBOL	PARAMETER	TEST CONDITIONS		MIN	TYP	MAX	UNIT
		OTHER	V _{cc} (V)				
T _{amb} = -40 to +125°C							
V _{IH}	HIGH-level input voltage		4.5 to 5.5	2.0	-	-	V
V _{IL}	LOW-level input voltage		4.5 to 5.5	-	-	0.8	V
V _{OH}	HIGH-level output voltage	V _I = V _{IH} or V _{IL}					
		I _O = -20 uA	4.5	4.4	-	-	V
		I _O = -4.0mA	4.5	3.7	-	-	V
V _{OL}	LOW-level output voltage	V _I = V _{IH} or V _{IL}					
		I _O = 20 uA	4.5	-	-	0.1	V
		I _O = 4.0mA	4.5	-	-	0.4	V
I _{LI}	Input leakage current	V _I = V _{cc} or GND	5.5	-	-	± 1.0	uA
I _{OZ}	3-state output OFF current	V _I = V _{IH} or V _{IL}	5.5	-	-	± 10	uA
		V _I = V _{cc} or GND					
		I _O = 0					
I _{cc}	Quiescent supply current	V _I = V _{cc} or GND	5.5	-	-	40	uA
		I _O = 0					
ΔI _{cc}	Abbtional supply current per input	V _I = V _{cc} -2.1V	4.5 to 5.5	-	-	590	uA
		I _O = 0					



74HC04/74HCT04(文件编号: S&CIC0463)

AC CHARACTERISTICS

Family 74HC04

GND = 0V; $t_r=t_f \leq 6.0\text{ns}$; $C_L = 50\text{pF}$.

SYMBOL	PARAMETER	TEST CONDITIONS		MIN	TYP	MAX	UNIT
		WAVEFORMS	V _{CC} (V)				
T _{amb} = 25°C							
t _{PHL} /t _{PLH}	Propagation delay nA to nY	See figs 6 and 7	2.0	-	25	85	ns
			4.5	-	9	17	ns
			6.0	-	7	14	ns
t _{THL} /t _{TLH}	Output transition time	See figs 6 and 7	2.0	-	19	75	ns
			4.5	-	7	15	ns
			6.0	-	6	13	ns
T _{amb} = -40 to +85°C							
t _{PHL} /t _{PLH}	Propagation delay nA to nY	See figs 6 and 7	2.0	-	-	105	ns
			4.5	-	-	21	ns
			6.0	-	-	18	ns
t _{THL} /t _{TLH}	Output transition time	See figs 6 and 7	2.0	-	-	95	ns
			4.5	-	-	19	ns
			6.0	-	-	16	ns
T _{amb} = -40 to +125°C							
t _{PHL} /t _{PLH}	Propagation delay nA to nY	See figs 6 and 7	2.0	-	-	130	ns
			4.5	-	-	26	ns
			6.0	-	-	22	ns
t _{THL} /t _{TLH}	Output transition time	See figs 6 and 7	2.0	-	-	110	ns
			4.5	-	-	22	ns
			6.0	-	-	19	ns



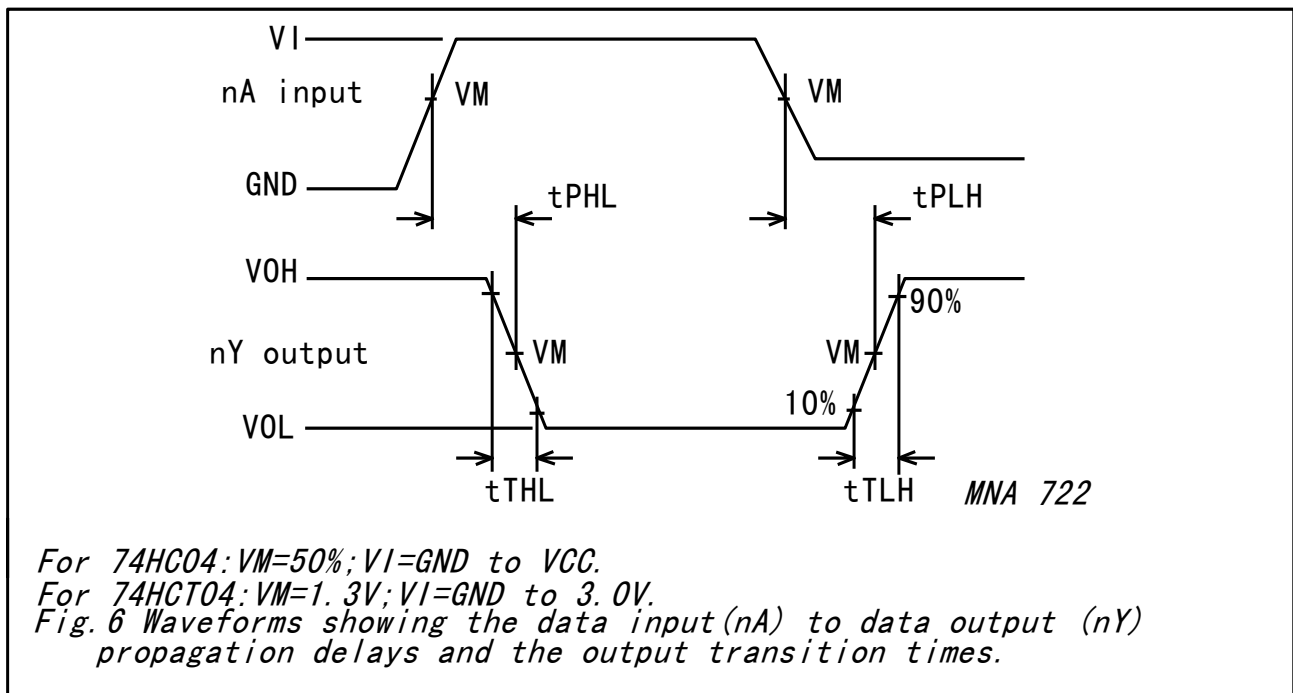
74HC04/74HCT04(文件编号: S&CIC0463)

Family 74HCT04

GND = 0V; $t_r=t_f \leq 6.0\text{ns}$; $C_L = 50\text{pF}$.

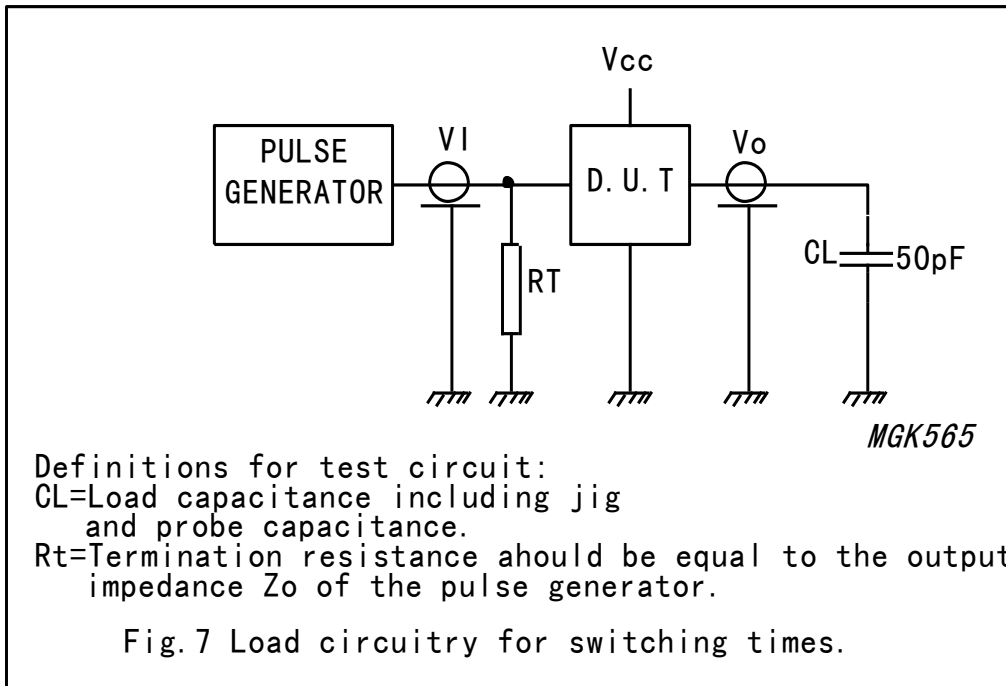
SYMBOL	PARAMETER	TEST CONDITIONS		MIN	TYP	MAX	UNIT
		WAVEFORMS	V _{cc} (V)				
$T_{\text{amb}} = 25^\circ\text{C}$							
$t_{\text{PHL}}/t_{\text{PLH}}$	Propagation delay nA to nY	See figs 6 and 7	4.5	-	10	19	ns
$t_{\text{THL}}/t_{\text{TLH}}$	Output transition time	See figs 6 and 7	4.5	-	7	15	ns
$T_{\text{amb}} = -40 \text{ to } +85^\circ\text{C}$							
$t_{\text{PHL}}/t_{\text{PLH}}$	Propagation delay nA to nY	See figs 6 and 7	4.5	-	-	24	ns
$t_{\text{THL}}/t_{\text{TLH}}$	Output transition time	See figs 6 and 7	4.5	-	-	19	ns
$T_{\text{amb}} = -40 \text{ to } +125^\circ\text{C}$							
$t_{\text{PHL}}/t_{\text{PLH}}$	Propagation delay nA to nY	See figs 6 and 7	4.5	-	-	29	ns
$t_{\text{THL}}/t_{\text{TLH}}$	Output transition time	See figs 6 and 7	4.5	-	-	22	ns

AC WAVEFORMS





74HC04/74HCT04(文件编号: S&CIC0463)



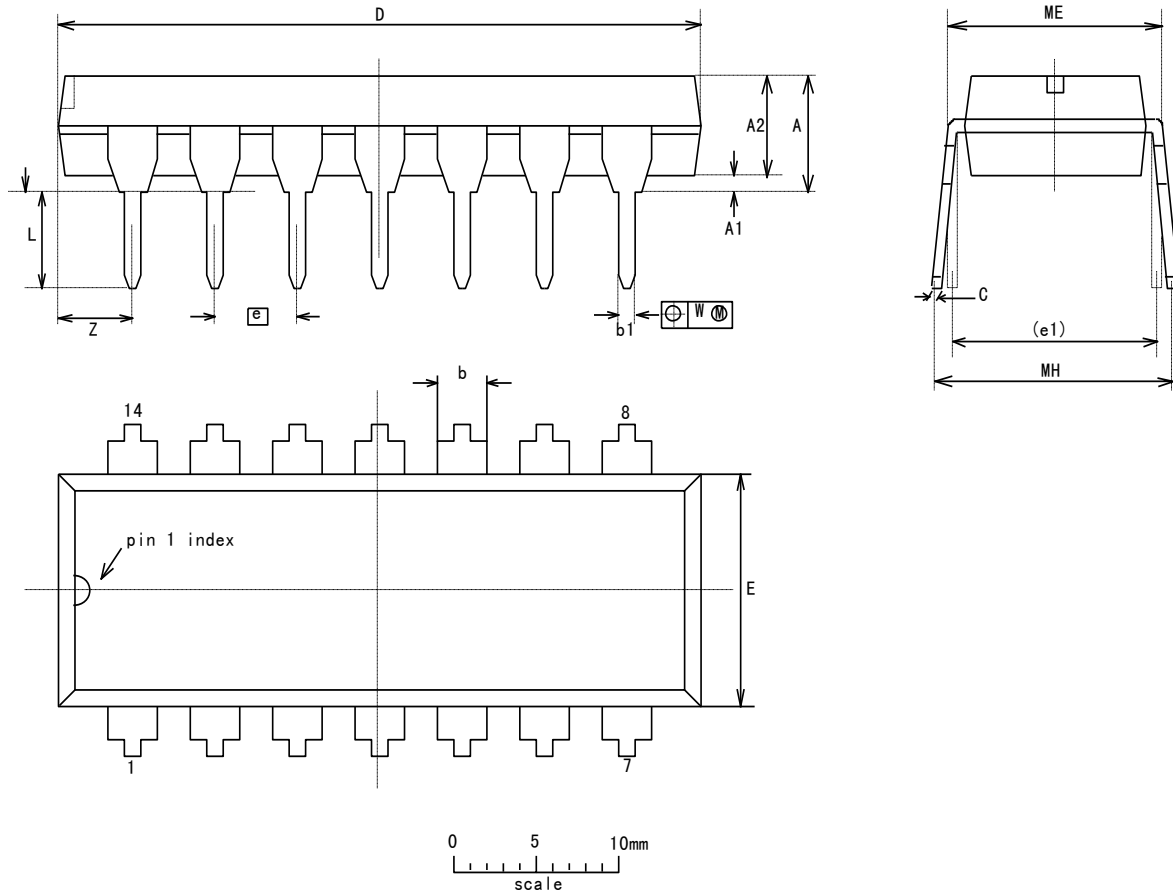


74HC04/74HCT04(文件编号: S&CIC0463)

PACKAGE OUTLINES

DIP 14: plastic dual in-line package; 14 leads (300 minl)

SOT27-1



DIMENSIONS (inch dimensions are derived from the original mm dimensions)

UNIT	A max	A1 min	A2 max	b	B1	c	D ⁽¹⁾	E ⁽¹⁾	e	e ₁	L	M _E	M _H	W	Z ⁽¹⁾ max
mm	4.2	0.51	3.2	1.73 1.13	0.53 0.38	0.36 0.23	19.50 18.55	6.48 6.20	2.54	7.62	3.60 3.05	8.25 7.80	10.0 8.3	0.254	2.2
inches	0.17	0.02	0.13	0.068 0.044	0.021 0.015	0.014 0.009	0.77 0.73	0.26 0.24	0.1	0.3	0.14 0.12	0.32 0.31	0.39 0.33	0.01	0.087

Note

1. Plastic or metal protrusions of 0.25mm (0.01 inch) maximum per side are not included.

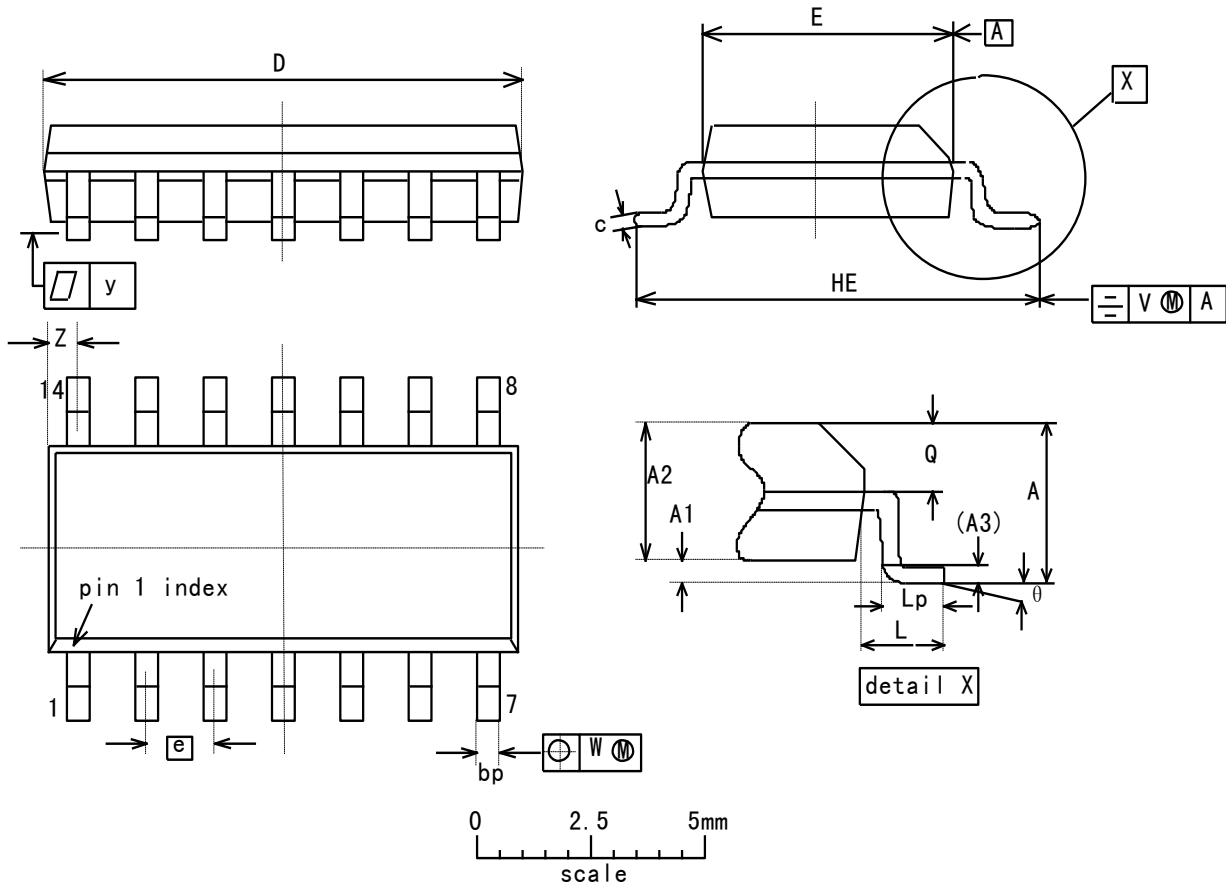
OUTLINE VERSION	REFERENCES			EUROPEAN PROJECTION	ISSUE DATE
	IEC	JEDEC	JEITA		
SOT27-1	050G04	MO-001	SC-201-14		—99-12-27 03-02-13



74HC04/74HCT04(文件编号: S&CIC0463)

SO14: plastic small outline package; 14 leads; body width 3.9mm

SOT108-1



DIMENSIONS (inch dimensions are derived from the original mm dimensions)

UNIT	A max	A1	A2	A3	bp	c	D ⁽¹⁾	E ⁽¹⁾	e	H _E	L	Lp	Q	v	w	y	Z ⁽¹⁾	θ
mm	1.75	0.25 0.10	1.45 1.25	0.25	0.49 0.36	0.25 0.19	8.75 8.55	4.0 3.8	1.27	6.2 5.8	1.05	1.0 0.4	0.7 0.6	0.25	0.25	0.1	0.7 0.3	8°
inches	0.069	0.010 0.004	0.057 0.049	0.01	0.019 0.014	0.0100 0.0075	0.35 0.34	0.16 0.15	0.05	0.244 0.228	0.041	0.039 0.016	0.028 0.024	0.01	0.01	0.004	0.028 0.012	0°

Note

1. Plastic or metal protrusions of 0.15mm (0.006 inch) maximum per side are not included.

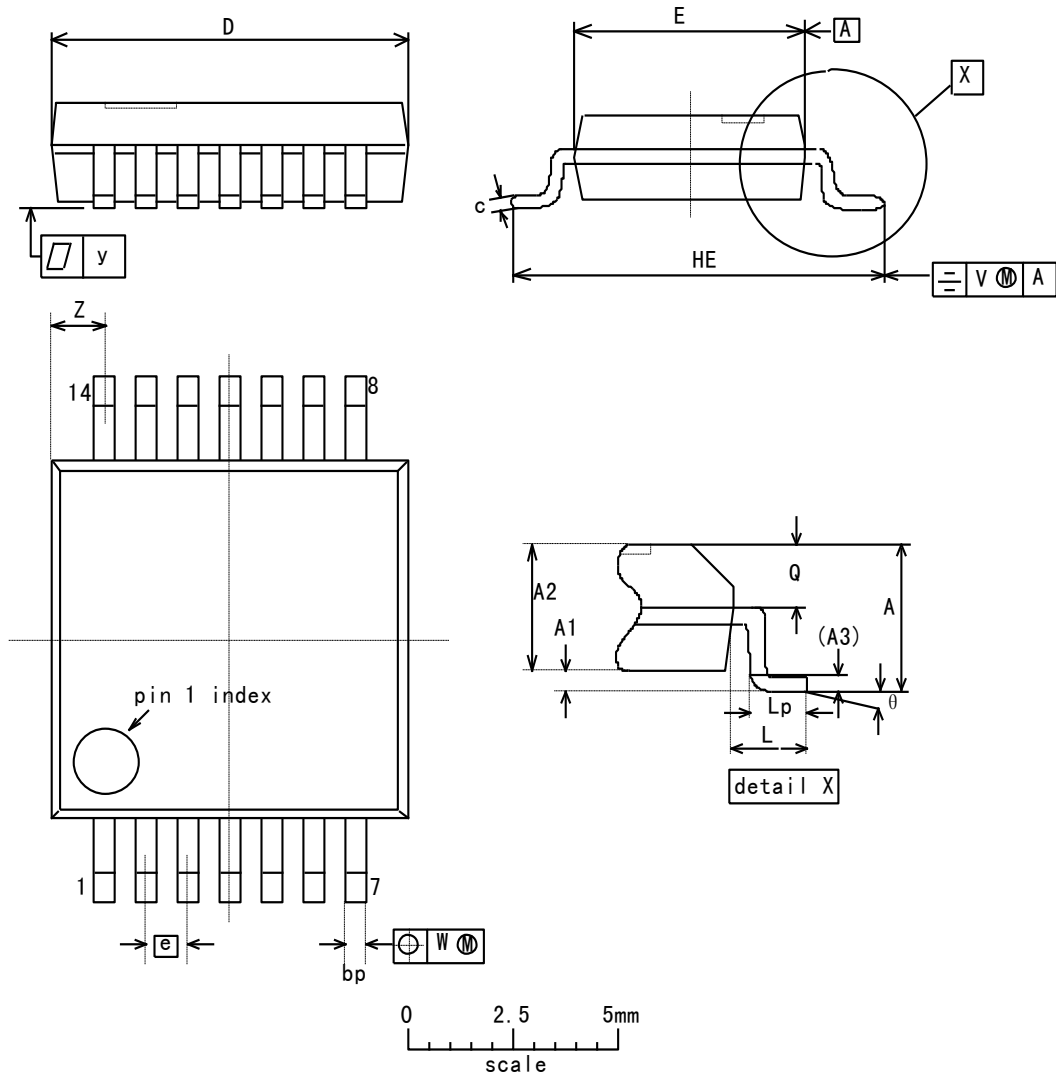
OUTLINE VERSION	REFERENCES				EUROPEAN PROJECTION	ISSUE DATE
	IEC	JEDEC	JEITA			
SOT108-1	076E06	MS-012	SC-201-14			—99-12-27 03-02-19



74HC04/74HCT04(文件编号: S&CIC0463)

SSOP14: plastic shrink small outline package; 14 leads; body width 5.3mm

SOT337-1



DIMENSIONS (inch dimensions are derived from the original mm dimensions)

UNIT	A max	A1	A2	A3	bp	c	D ⁽¹⁾	E ⁽¹⁾	e	H _E	L	L _p	Q	v	w	y	Z ⁽¹⁾	θ
mm	2	0.21 0.05	1.80 1.65	0.25	0.38 0.25	0.20 0.09	6.4 6.0	5.4 5.2	0.65	7.9 7.6	1.25	1.03 0.63	0.9 0.7	0.2	0.13	0.1	1.4 0.9	8° 0°

Note

1. Plastic or metal protrusions of 0.25mm maximum per side are not included.

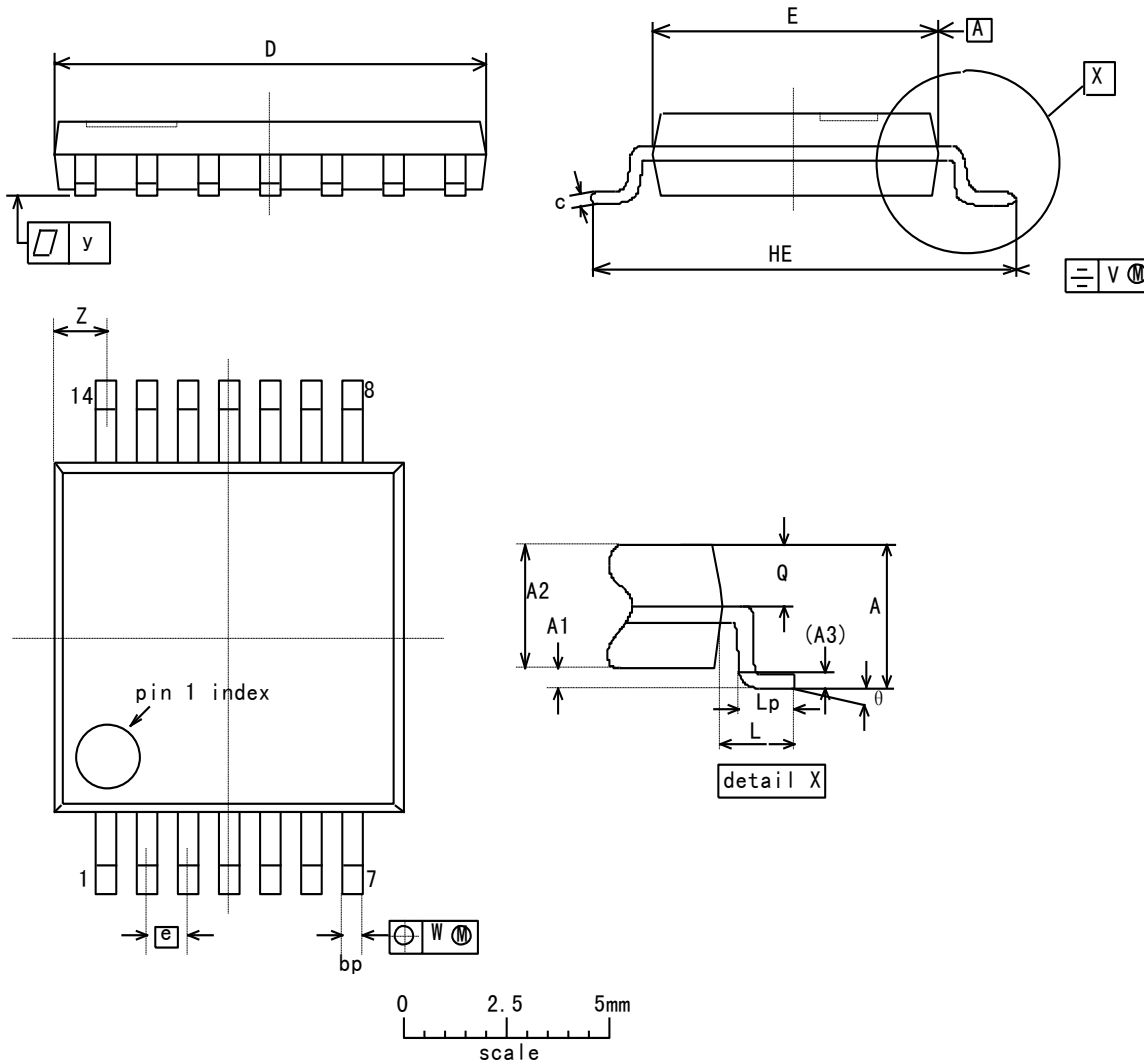
OUTLINE VERSION	REFERENCES				EUROPEAN PROJECTION	ISSUE DATE
	IEC	JEDEC	JEITA			
SOT337-1		MO-150				—99-12-27 03-02-19



74HC04/74HCT04(文件编号: S&CIC0463)

TSSOP14: plastic thin shrink small outline package; 14 leads; body width 4.4mm

SOT402-1



DIMENSIONS (inch dimensions are derived from the original mm dimensions)

UNIT	A max	A1	A2	A3	bp	c	D ⁽¹⁾	E ⁽¹⁾	e	H _E	L	L _p	Q	v	w	y	Z ⁽¹⁾	θ
mm	1.1	0.15 0.05	0.95 0.80	0.25	0.30 0.19	0.2 0.1	5.1 4.9	4.5 4.3	0.65	6.6 6.2	1	0.75 0.50	0.4 0.3	0.2	0.13	0.1	0.72 0.38	8° 0°

Note: 1. Plastic or metal protrusions of 0.15mm maximum per side are not included.

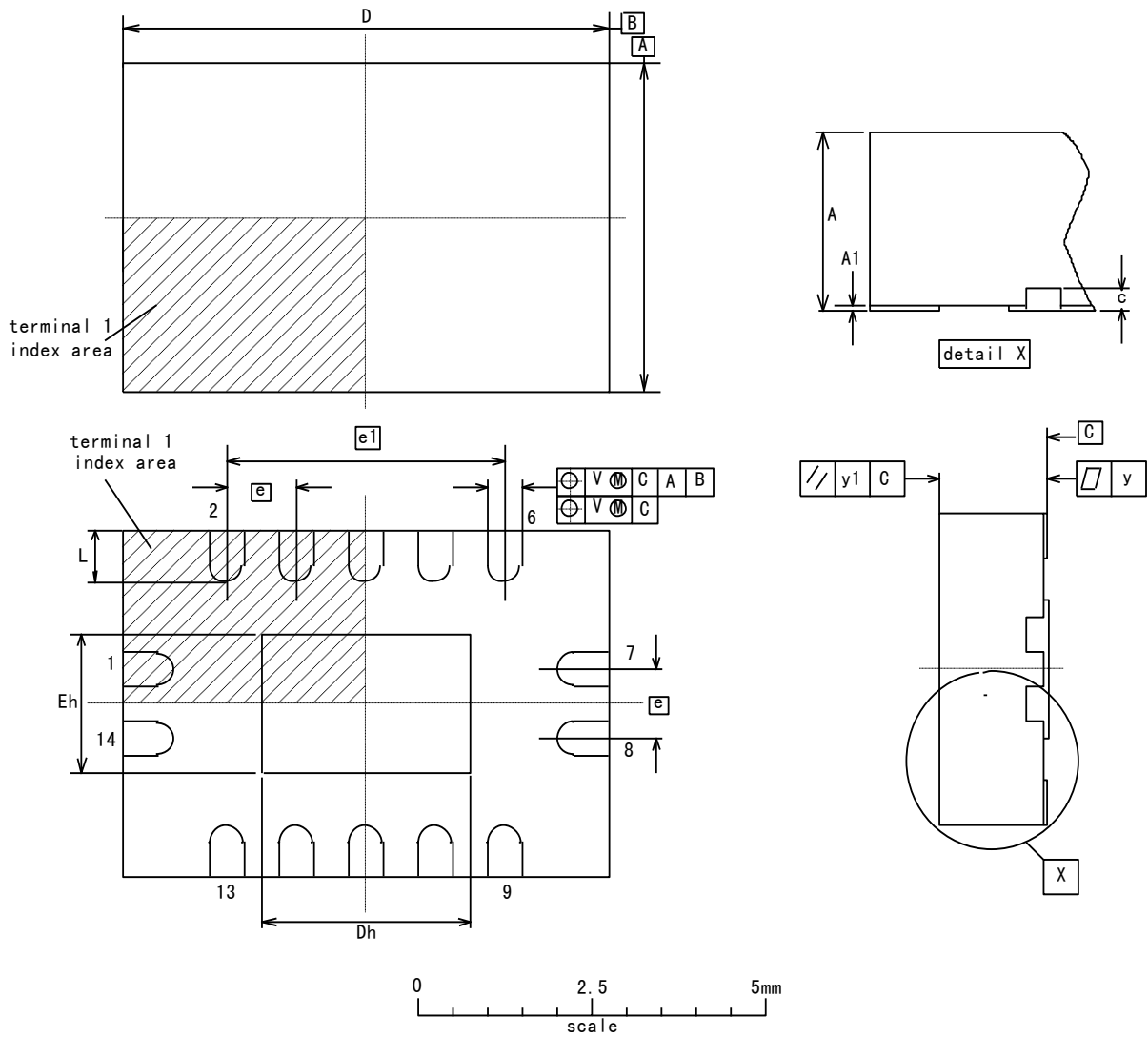
2. Plastic interlead protrusions of 0.25mm maximum per side are not included.

OUTLINE VERSION	REFERENCES				EUROPEAN PROJECTION	ISSUE DATE
	IEC	JEDEC	JEITA			
SOT402-1		MO-153				99-12-27 03-02-18



74HC04/74HCT04 (文件编号: S&CIC0463)

DHVQFN14: plastic dual in-line compatible thermal enhanced very thin quad flat package; no leads; 14 terminals; body 2.5×3×0.85mm SOT762-1



DIMENSIONS (mm are the original dimensions)

UNI T	$A^{(1)}$ max	A1	b	c	$D^{(1)}$	D_h	$E^{(1)}$	E_h	e	e1	L	v	w	y	y1
mm	1	0.05	0.30	0.2	3.1	1.65	2.6	1.15	1	0.75	0.4	0.2	0.13	0.1	0.72
		0.00	0.18		2.9	1.35	2.4	0.85		0.3	0.38				

Note: 1. Plastic or metal protrusions of 0.075mm maximum per side are not included.

OUTLINE VERSION	REFERENCES				EUROPEAN PROJECTION	ISSUE DATE
	IEC	JEDEC	JEITA			
SOT762-1	---	MO-241	---			02-10-17 03-01-27



74HC04/74HCT04(文件编号: S&CIC0463)

DATA SHEET STATUS

LEVEL	DATA SHEET STATUS(1)	PRODUCT STATUS(2)(3)	DEFINITION
I	Objective data	Development	This data sheet contains data from the objective specification for product Development.
II	Preliminary data	Qualification	This data sheet contains data from the preliminary specification. Supplementary data will be published at a later date.
III	Product data	Production	This data sheet contains data from the product specification.

Notes

1. Please consult the most recently issued data sheet before initiating or completing a design.
2. For data sheets describing multiple type numbers, the highest-level product status determines the data sheet status.

DEFINITIONS

Short-form specification-The data in a short-from specification is extracted from a full data sheet with the same type number and title. For detailed information see the relevant data sheet or data handbook

Limiting values definition-Limiting values given are in accordance with the Absolute Maximum Rating System (IEC 60134). Stress above one or more of the limiting values may cause permanent damage to the device. These are stress ratings only and operation of the device at these or at any other conditions above those given in the Characteristics sections of the specification is not implied. Exposure to limiting values for extended periods may affect device reliability.

Application information-Applications that are described herein for any of these products are for illustrative purposes only. Philips Semiconductors make no representation or warranty that such applications will be suitable for the specified use without further testing or modification.

PAD ASSIGNMENT

	Pad No	Pad Name	X	Y
	1	A1	-243.00	-48.00
	2	Y1	-243.00	-182.00
	3	A2	-122.50	-182.00
	4	Y2	7.50	-182.00
	5	A3	112.50	-182.00
	6	Y3	242.50	-182.00
	7	VSS	230.50	-57.50
	8	Y4	242.50	47.50
	9	A4	242.50	181.50
	10	Y5	122.00	181.50
	11	A5	-8.00	181.50
	12	Y6	-113.00	181.50
	13	A6	-243.00	181.50
	14	VDD	-243.00	57.00

X-ON Electronics

Largest Supplier of Electrical and Electronic Components

Click to view similar products for [Buffers & Line Drivers](#) category:

Click to view products by [Fuman](#) manufacturer:

Other Similar products are found below :

[LXV200-024SW](#) [74AUP2G34FW3-7](#) [HEF4043BP](#) [NL17SG125DFT2G](#) [NLV27WZ125USG](#) [CD4041UBE](#) [028192B](#) [042140C](#) [051117G](#)
[070519XB](#) [NL17SG07DFT2G](#) [NL17SZ07P5T5G](#) [NLU1GT126AMUTCG](#) [74AUP1G17FW5-7](#) [74LVC2G17FW4-7](#) [CD4502BE](#)
[74LVCE1G126FZ4-7](#) [74LVC1G125FW4-7](#) [NL17SH17P5T5G](#) [NLV17SZ07DFT2G](#) [NC7WZ17FHX](#) [74HCT126T14-13](#) [74LVC2G34FW4-7](#)
[74VHC9126FT\(BJ\)](#) [NLV14049UBDTR2G](#) [NLV37WZ07USG](#) [RHRXH162244K1](#) [74AUP1G34FW5-7](#) [74AUP1G07FW5-7](#)
[74LVC1G126FW4-7](#) [74LVC2G126RA3-7](#) [NLX2G17CMUTCG](#) [74LVCE1G125FZ4-7](#) [Le87501NQC](#) [NLVVHCT50ADTR2G](#)
[TC74HC4050AP\(F\)](#) [74LVCE1G07FZ4-7](#) [NLX3G16DMUTCG](#) [NLX2G06AMUTCG](#) [NLVVHC1G50DFT2G](#) [NLU2G17AMUTCG](#)
[LE87100NQC](#) [LE87100NQCT](#) [LE87285NQC](#) [LE87285NQCT](#) [LE87290YQC](#) [LE87290YQCT](#) [74AUP1G125FW5-7](#) [NLU2G16CMUTCG](#)
[MC74LCX244MN2TWG](#)