

## Product Summary

Symbol	Value	Unit
$I_{T(RMS)}$	16	A
$V_{DRM} V_{RRM}$	600 / 800	V
$V_{TM}$	1.55	V

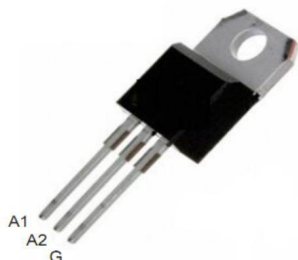
## Feature

With high ability to withstand the shock loading of large current, With high commutation performances, 3 quadrants products especially recommended for use on inductive load.

## Application

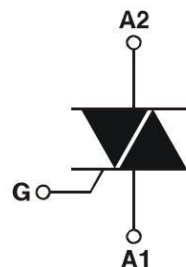
Washing machine, vacuums, massager, solid state relay, AC Motor speed regulation and so on.

## Package

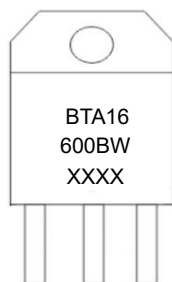


TO-220A Insulated

## Circuit diagram



## Marking



### Absolute maximum ratings (Ta=25°C unless otherwise noted)

Parameter	Symbol	Value	Unit
Repetitive peak off-state voltage	$V_{DRM}$	600 / 800	V
Repetitive peak reverse voltage	$V_{RRM}$	600 / 800	V
RMS on-state current	$I_{T(RMS)}$	16	A
Non repetitive surge peak on-state current (full cycle, F=50Hz)	$I_{TSM}$	160	A
$I^2t$ value for fusing (tp=10ms)	$I^2t$	140	A <sup>2</sup> s
Critical rate of rise of on-state current ( $I_G = 2 \times I_{GT}$ )	$di_T/dt$	I - II - III   50	A/ $\mu$ s
Peak gate current	$I_{GM}$	4	A
Average gate power dissipation	$P_{G(AV)}$	1	W
Junction Temperature	$T_J$	-40 ~ +125	°C
Storage Temperature	$T_{STG}$	-40 ~ +150	°C

### Electrical characteristics (Ta=25°C, unless otherwise noted)

Parameter	Symbol	Test Condition	Value		Unit	
			CW	BW		
Gate trigger current	$I_{GT}$	$V_D = 12V$ $R_L = 33\Omega$	I - II - III	$\leq 35$	$\leq 50$	mA
Gate trigger voltage	$V_{GT}$	$T_J = 25^\circ C$	I - II - III	$\leq 1.3$		V
Gate non-trigger voltage	$V_{GD}$	$V_D = V_{DRM}$ $T_J = 125^\circ C$		$\geq 0.2$		V
latching current	$I_L$	$I_G = 1.2I_{GT}$	I - III	$\leq 50$	$\leq 70$	mA
			II	$\leq 60$	$\leq 80$	
Holding current	$I_H$	$I_T = 500mA$		$\leq 30$	$\leq 50$	mA
Critical-rate of rise of commutation voltage	$dV_D/dt$	$V_D = 2/3V_{DRM}$ Gate Open $T_J = 125^\circ C$		$\geq 500$	$\geq 1000$	V/ $\mu$ s
<b>STATIC CHARACTERISTICS</b>						
Forward "on" voltage	$V_{TM}$	$I_{TM} = 23A$ $t_p = 380\mu s$		$\leq 1.55$		V
Repetitive Peak Off-State Current	$I_{DRM}$	$V_D = V_{DRM}$ $V_R = V_{RRM}$	$T_J = 25^\circ C$	$\leq 5$		$\mu A$
Repetitive Peak Reverse Current	$I_{RRM}$		$T_J = 125^\circ C$	$\leq 1$		mA
<b>THERMAL RESISTANCES</b>						
Thermal resistance	$R_{th(j-c)}$	Junction to case(AC)		2.1		°C/W
	$R_{th(j-a)}$	Junction to ambient		60		°C/W

**Typical Characteristics**

FIG.1: Maximum power dissipation versus RMS on-state current (full cycle)

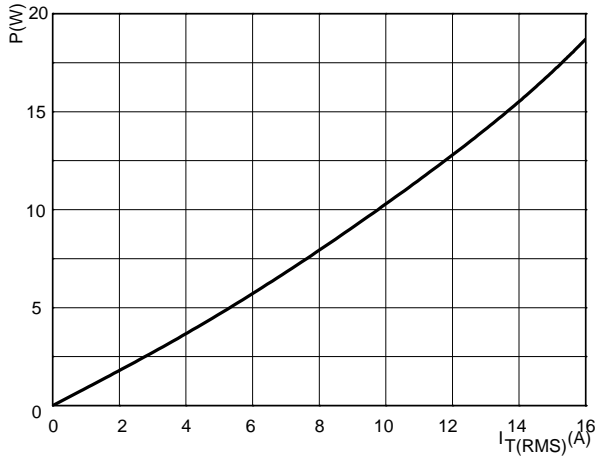


FIG.2: RMS on-state current versus case temperature (full cycle)

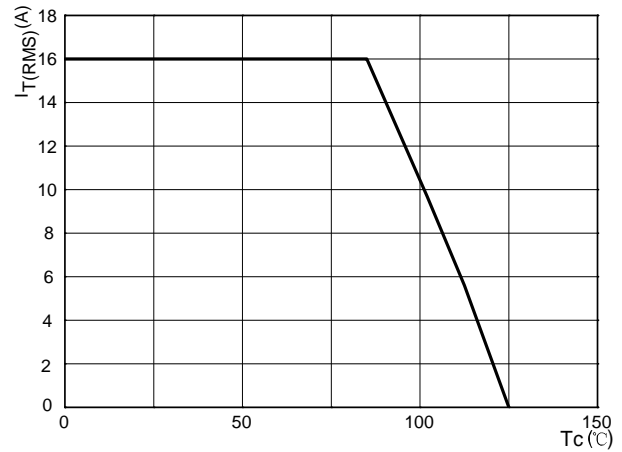


FIG.3: Surge peak on-state current versus number of cycles

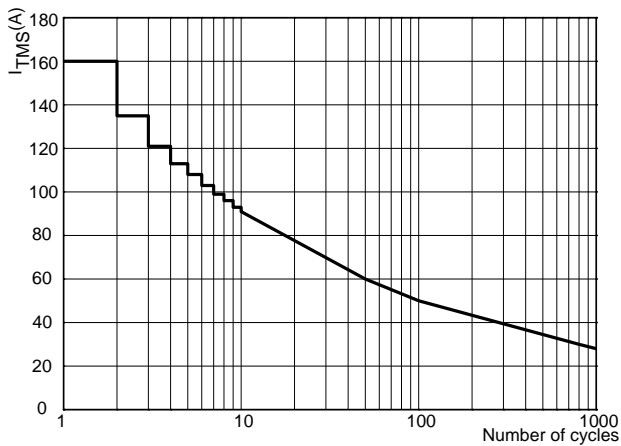


FIG.4: On-state characteristics (maximum values)

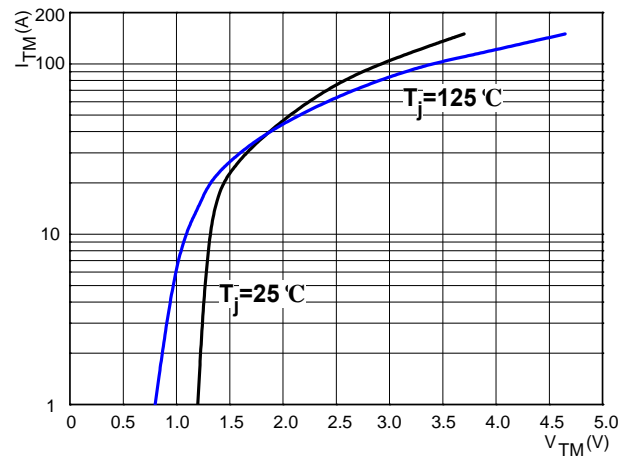


FIG.5: Non-repetitive surge peak on-state current for a sinusoidal pulse with width  $t_p < 10\text{ms}$

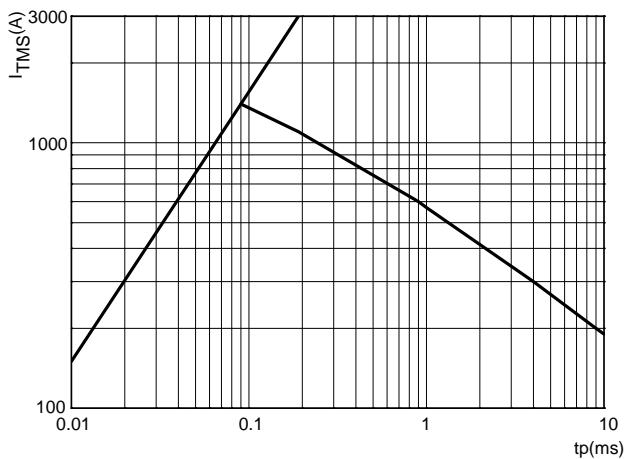
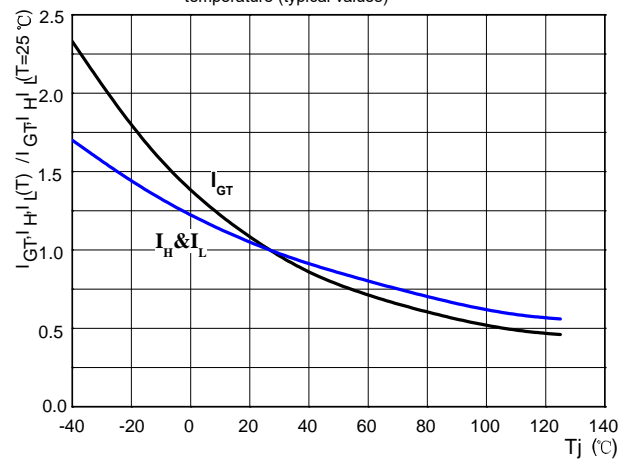
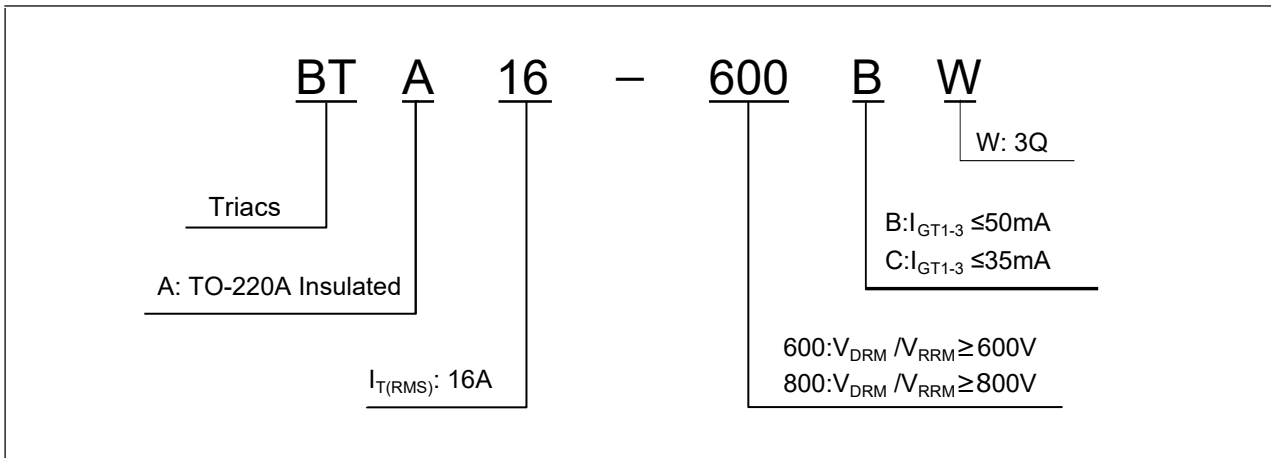


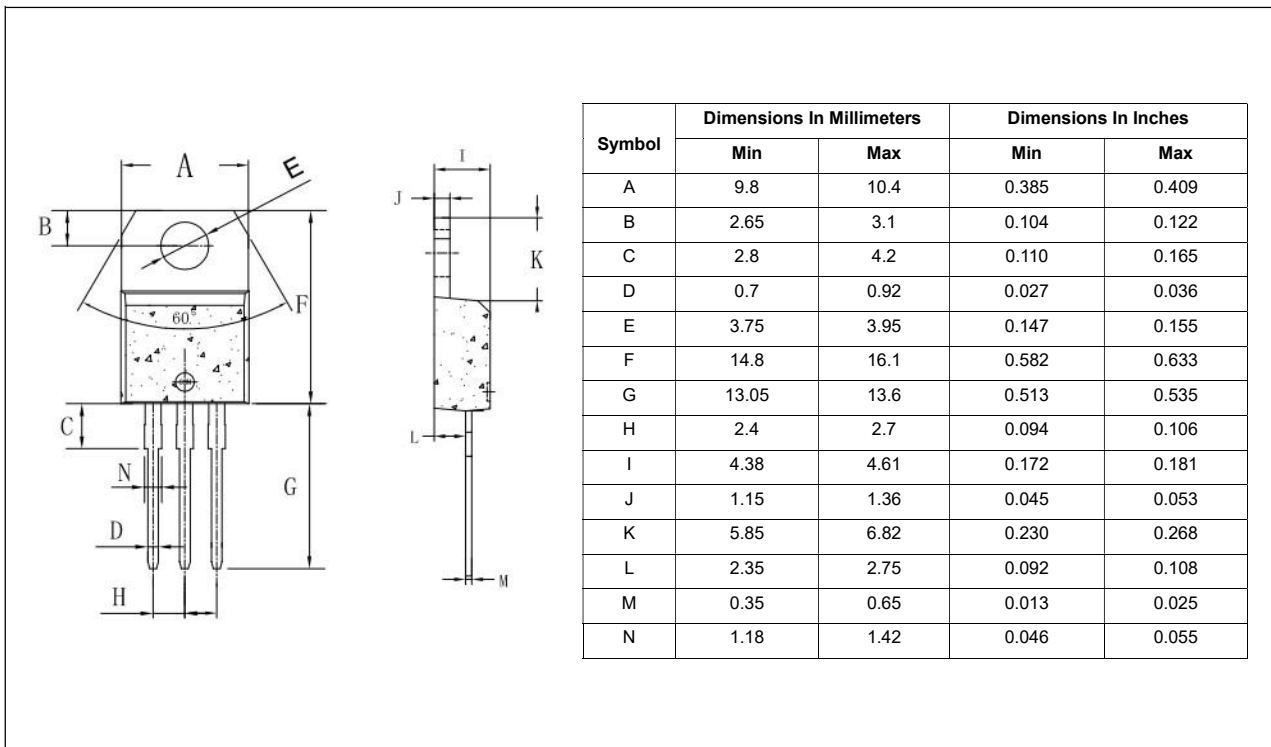
FIG.6: Relative variations of gate trigger current, holding current and latching current versus junction temperature (typical values)



**Ordering Information**



**TO-220A Insulated Package Information**



## X-ON Electronics

Largest Supplier of Electrical and Electronic Components

*Click to view similar products for [Triacs](#) category:*

*Click to view products by [FUXINSEMI](#) manufacturer:*

Other Similar products are found below :

[BT137-600-0Q](#) [OT415Q](#) [2N6075A](#) [NTE5688](#) [BTA2008W-800D,135](#) [D31410](#) [ACS102-5T1](#) [ACS102-5TA](#) [MAC97A4G](#) [Z0107MAG](#)  
[Z0107MARL1G](#) [Z0109MARLRPG](#) [MAC97A8-TA](#) [BT131W-800](#) [BT138S-800E](#) [BT137S-800E](#) [BT136S-600D](#) [BTA08-600TWRG](#)  
[X0405MF-252](#) [MAC97A8-23-3L](#) [MCR100-8-23-3L](#) [BTA24-800B](#) [BT151-600R](#) [BT131](#) [BTA41-1200B](#) [MCR16](#) [MCR100-8](#) [MCR16](#)  
[BT131-800D](#) [BT134-800E](#) [BT138-800E](#) [MCR100-8](#) [BTA12-800BWRG\(UMW\)](#) [BTA24-600BWRG\(UMW\)](#) [BTA24-800BWRG\(UMW\)](#)  
[BTA12-600BWRG\(UMW\)](#) [BTA16-600CRG\(UMW\)](#) [BTA12-600CRG\(UMW\)](#) [BS61089B-8](#) [BT134W-600E](#) [BT134-600E](#) [JR0405S3](#)  
[BCR12PM](#) [MAC97A6](#) [BTA24-800CRG\(UMW\)](#) [BTA16-600BRG\(UMW\)](#) [BTA16-800BWRG\(UMW\)](#) [Z0109-NN](#) [BTA41](#) [MCR100-8U](#)