

### Features

- **Single-Supply Operation from +3V ~ +28V**
  - **Dual-Supply Operation from  $\pm 1.5V \sim \pm 14V$**
  - **Gain-Bandwidth Product: 1MHz (Typ)**
  - **Low Input Bias Current: 45nA (Typ)**
  - **Low Offset Voltage: 5mV (Max)**
  - **Quiescent Current: 120 $\mu$ A per Amplifier (Typ)**
  - **Operating Temperature: -25°C ~ +85°C**
- **Small Package:**
  - **LM321 Available in SOT23-5 Package**
  - **LM358 Available in SOP-8 and MSOP-8 Packages**
  - **LM324 Available in SOP-14 Package**

### General Description

The LM321/358/324 family have a high gain-bandwidth product of 1MHz, a slew rate of 0.2V/ $\mu$ s, and a quiescent current of 120 $\mu$ A/amplifier at 5V. The LM321/358/324 family is designed to provide optimal performance in low voltage and low noise systems. The maximum input offset voltage is 5mV for LM321/358/324 family. The operating range is from 3V to 28V. The LM321 single is available in Green SOT-23-5 package. The LM358 Dual is available in Green SOP-8 and MSOP-8 packages. The LM324 Quad is available in Green SOP-14 package.

### Applications

- Walkie-Talkie
- Battery Management Solution
- Transducer Amplifiers
- Summing Amplifiers
- Multivibrators
- Oscillators
- Portable Systems

### Pin Configuration

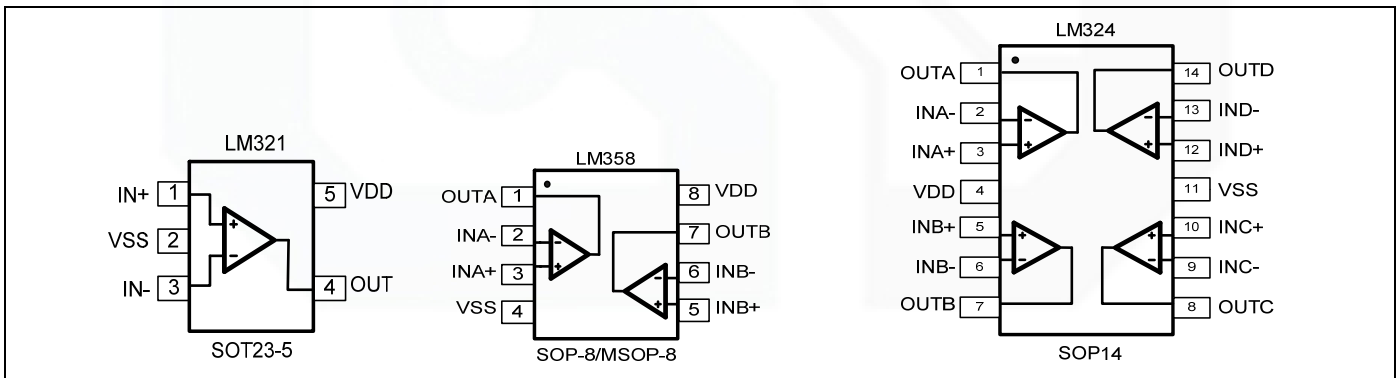


Figure 1. Pin Assignment Diagram

### Absolute Maximum Ratings

Condition	Symbol	Max
Power Supply Voltage	V <sub>cc</sub>	± 16V or 32V
Differential input voltage	V <sub>I(DIFF)</sub>	32V
Input Voltage	V <sub>I</sub>	-0.3V~32V
Operating Temperature Range	T <sub>opr</sub>	-25°C ~+85°C
Storage Temperature Range	T <sub>stg</sub>	-65°C ~+150°C

Note: Stress greater than those listed under Absolute Maximum Ratings may cause permanent damage to the device. This is a stress rating only and functional operation of the device at these or any other conditions outside those indicated in the operational sections of this specification are not implied. Exposure to absolute maximum rating conditions for extended periods may affect reliability.

### Package/Ordering Information

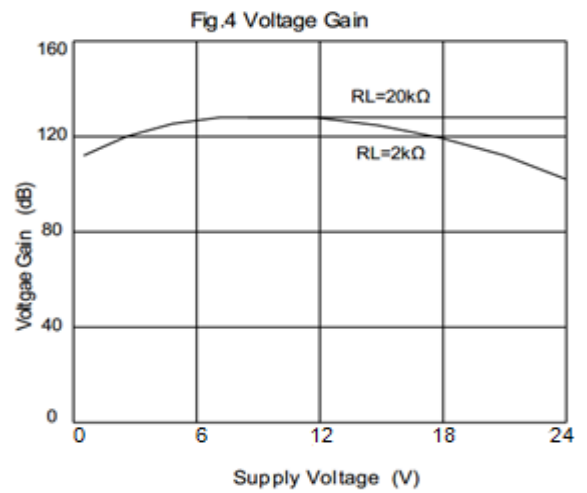
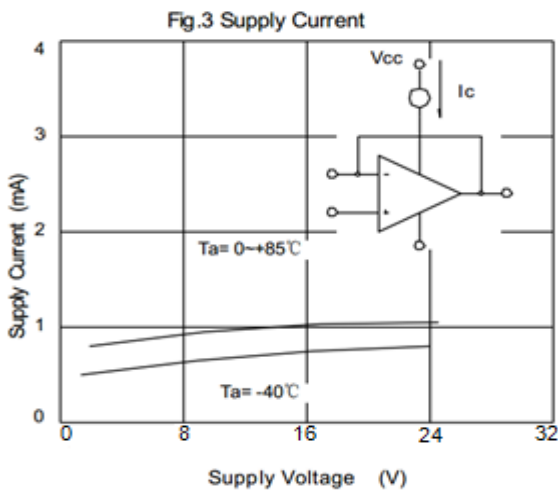
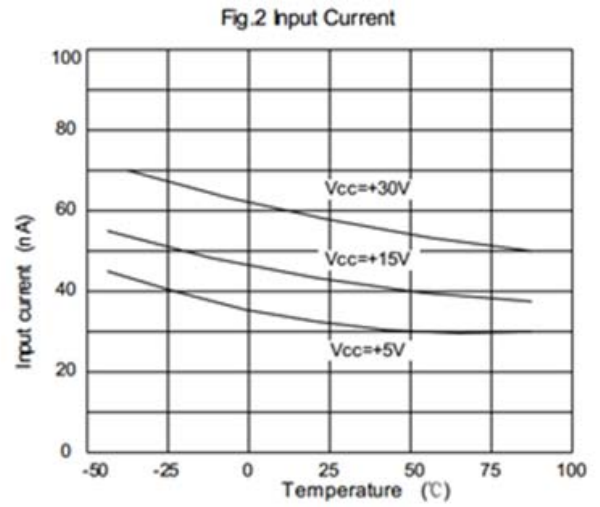
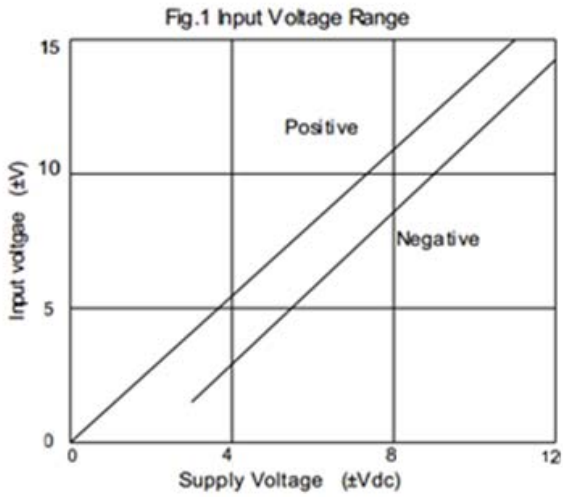
MODEL	CHANNEL	ORDER NUMBER	PACKAGE DESCRIPTION	PACKAGE OPTION	MARKING INFORMATION
LM321	Single	LM321-TR	SOT23-5	Tape and Reel,3000	LM321
LM358	Dual	LM358-SR	SOP-8	Tape and Reel,4000	LM358
		LM358-MR	MSOP-8	Tape and Reel,3000	LM358
LM324	Quad	LM324-SR	SOP-14	Tape and Reel,2500	LM324

## Electrical Characteristics

(At  $V_S = +14V$ ,  $T_A = 25^\circ C$ , unless otherwise noted.)

PARAMETER	SYMBOL	CONDITIONS	LM321/358/324			
			TYP	MIN/MAX OVER TEMPERATURE		
			+25°C	+25°C	UNITS	MIN/MAX
<b>INPUT CHARACTERISTICS</b>						
Input Offset Voltage	$V_{OS}$	$V_{CM} = V_S/2$	0.4	5	mV	MAX
Input Bias Current	$I_B$		45		nA	TYP
Input Offset Current	$I_{OS}$		5		nA	TYP
Common-Mode Voltage Range	$V_{CM}$	$V_S = 5.5V$	-0.1 to +4		V	TYP
Common-Mode Rejection Ratio	CMRR	$V_{CM} = 0V$ to $V_S - 1.5V$	90	70	dB	MIN
Open-Loop Voltage Gain	$A_{OL}$	$R_L = 5k\Omega$ , $V_O = 1V$ to $11V$	100	85	dB	MIN
Input Offset Voltage Drift	$\Delta V_{OS}/\Delta T$		7		$\mu V/^\circ C$	TYP
<b>OUTPUT CHARACTERISTICS</b>						
Output Voltage Swing from Rail	$V_{OH}$	$R_L = 2k\Omega$	11		V	MIN
	$V_{OL}$	$R_L = 2k\Omega$	5	20	mV	MAX
	$V_{OH}$	$R_L = 10k\Omega$	12	13	V	MIN
	$V_{OL}$	$R_L = 10k\Omega$	5	20	mV	MAX
Output Current	$I_{SOURCE}$	$R_L = 10\Omega$ to $V_S/2$	40	60	mA	MAX
	$I_{SINK}$		40	60		
<b>POWER SUPPLY</b>						
Operating Voltage Range				3	V	MIN
				28	V	MAX
Power Supply Rejection Ratio	PSRR	$V_S = +5V$ to $+28V$ , $V_{CM} = +0.5V$	100	70	dB	MIN
Quiescent Current / Amplifier	$I_Q$	$V_S = 28V$ , $R_L = \infty$	0.12	2.5	mA	MAX
<b>DYNAMIC PERFORMANCE</b>						
Gain-Bandwidth Product	GBP		1		MHz	TYP
Slew Rate	SR	$G = +1$ , 2V Output Step	0.2		V/ $\mu s$	TYP

Typical Performance characteristics



## Application Note

### Size

LM321/358/324 family series op amps are unity-gain stable and suitable for a wide range of general-purpose applications. The small footprints of the LM321/358/324 family packages save space on printed circuit boards and enable the design of smaller electronic products.

### Power Supply Bypassing and Board Layout

LM321/358/324 family series operates from a single 3V to 28V supply or dual  $\pm 1.5V$  to  $\pm 14V$  supplies. For best performance, a  $0.1\mu F$  ceramic capacitor should be placed close to the  $V_{DD}$  pin in single supply operation. For dual supply operation, both  $V_{DD}$  and  $V_{SS}$  supplies should be bypassed to ground with separate  $0.1\mu F$  ceramic capacitors.

### Low Supply Current

The low supply current (typical  $120\mu A$  per channel) of LM321/358/324 family will help to maximize battery life.

### Operating Voltage

LM321/358/324 family operates under wide input supply voltage (3V to 28V). In addition, all temperature specifications apply from  $-25\text{ }^{\circ}C$  to  $+85\text{ }^{\circ}C$ . Most behavior remains unchanged throughout the full operating voltage range. These guarantees ensure operation throughout the single Li-Ion battery lifetime.

### Capacitive Load Tolerance

The LM321/358/324 family is optimized for bandwidth and speed, not for driving capacitive loads. Output capacitance will create a pole in the amplifier's feedback path, leading to excessive peaking and potential oscillation. If dealing with load capacitance is a requirement of the application, the two strategies to consider are (1) using a small resistor in series with the amplifier's output and the load capacitance and (2) reducing the bandwidth of the amplifier's feedback loop by increasing the overall noise gain. Figure 2. shows a unity gain follower using the series resistor strategy. The resistor isolates the output from the capacitance and, more importantly, creates a zero in the feedback path that compensates for the pole created by the output capacitance.

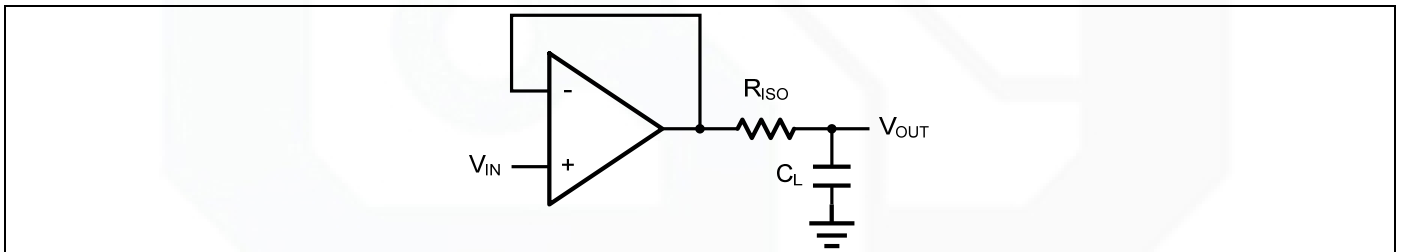


Figure 2. Indirectly Driving a Capacitive Load Using Isolation Resistor

The bigger the  $R_{ISO}$  resistor value, the more stable  $V_{OUT}$  will be. However, if there is a resistive load  $R_L$  in parallel with the capacitive load, a voltage divider (proportional to  $R_{ISO}/R_L$ ) is formed, this will result in a gain error.

The circuit in Figure 3 is an improvement to the one in Figure 2.  $R_F$  provides the DC accuracy by feed-forward the  $V_{IN}$  to  $R_L$ .  $C_F$  and  $R_{ISO}$  serve to counteract the loss of phase margin by feeding the high frequency component of the output signal back to the amplifier's inverting input, thereby preserving the phase margin in the overall feedback loop. Capacitive drive can be increased by increasing the value of  $C_F$ . This in turn will slow down the pulse response.

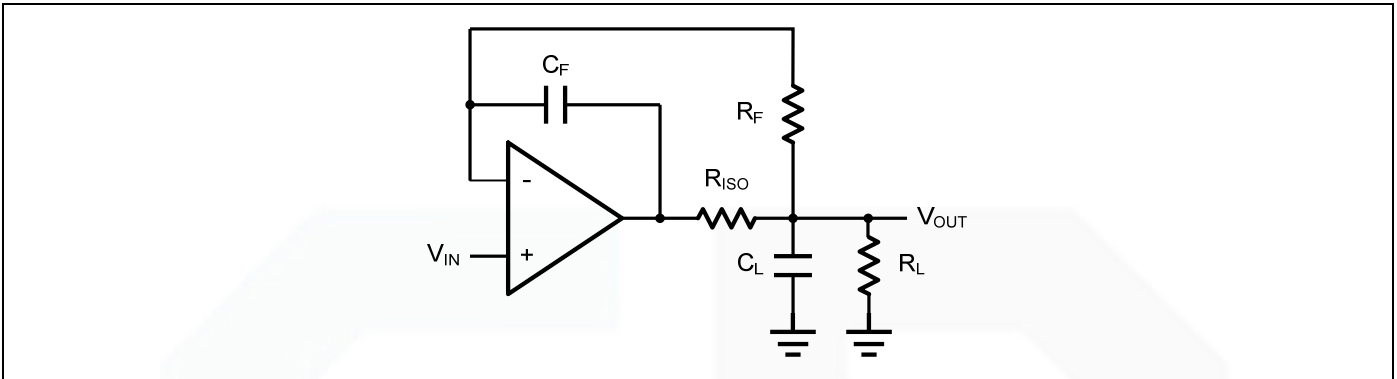


Figure 3. Indirectly Driving a Capacitive Load with DC Accuracy

## Typical Application Circuits

### Differential amplifier

The differential amplifier allows the subtraction of two input voltages or cancellation of a signal common to the two inputs. It is useful as a computational amplifier in making a differential to single-end conversion or in rejecting a common mode signal. Figure 4. shows the differential amplifier using LM321/358/324 family.

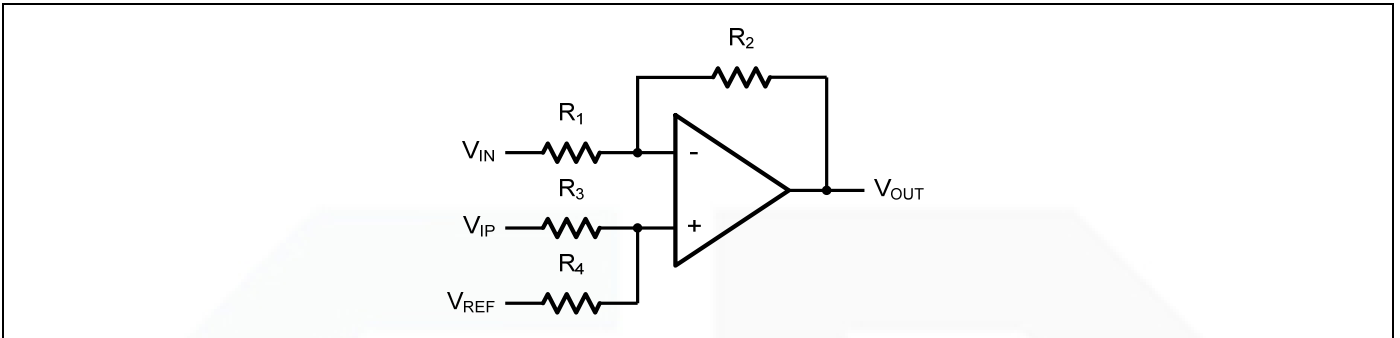


Figure 4. Differential Amplifier

$$V_{OUT} = \left(\frac{R_1+R_2}{R_3+R_4}\right) \frac{R_4}{R_1} V_{IN} - \frac{R_2}{R_1} V_{IP} + \left(\frac{R_1+R_2}{R_3+R_4}\right) \frac{R_3}{R_1} V_{REF}$$

If the resistor ratios are equal (i.e.  $R_1=R_3$  and  $R_2=R_4$ ), then

$$V_{OUT} = \frac{R_2}{R_1} (V_{IP} - V_{IN}) + V_{REF}$$

### Low Pass Active Filter

The low pass active filter is shown in Figure 5. The DC gain is defined by  $-R_2/R_1$ . The filter has a -20dB/decade roll-off after its corner frequency  $f_c = 1/(2\pi R_3 C_1)$ .

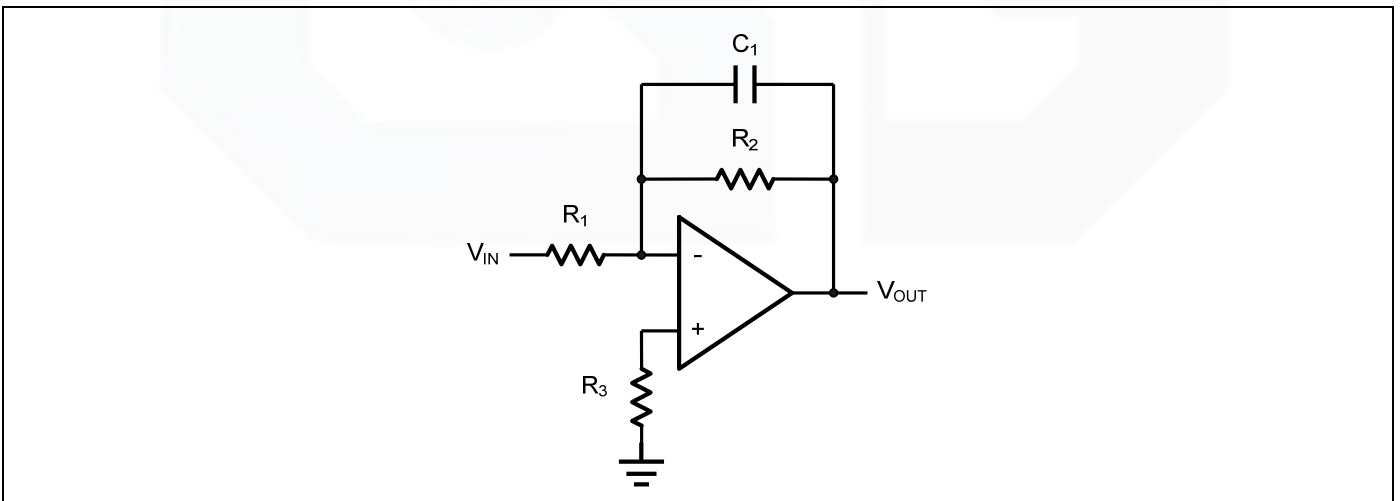


Figure 5. Low Pass Active Filter

Instrumentation Amplifier

The triple LM321/358/324 family can be used to build a three-op-amp instrumentation amplifier as shown in Figure 6. The amplifier in Figure 6 is a high input impedance differential amplifier with gain of  $R_2/R_1$ . The two differential voltage followers assure the high input impedance of the amplifier.

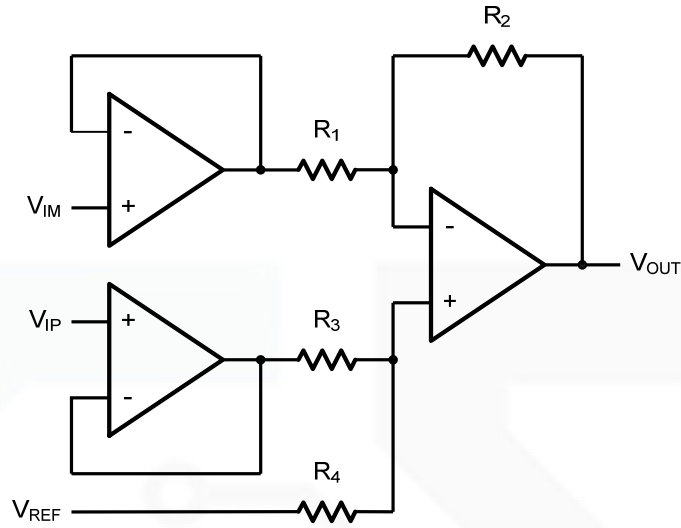
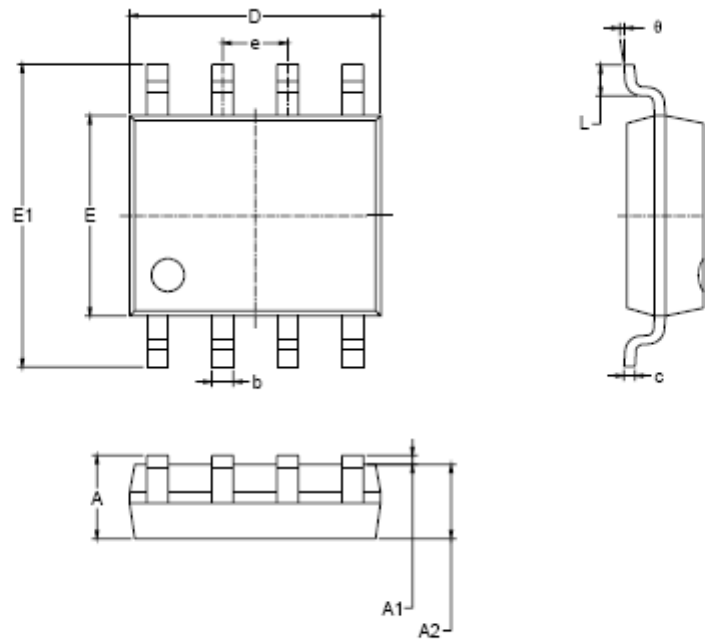


Figure 6. Instrument Amplifier



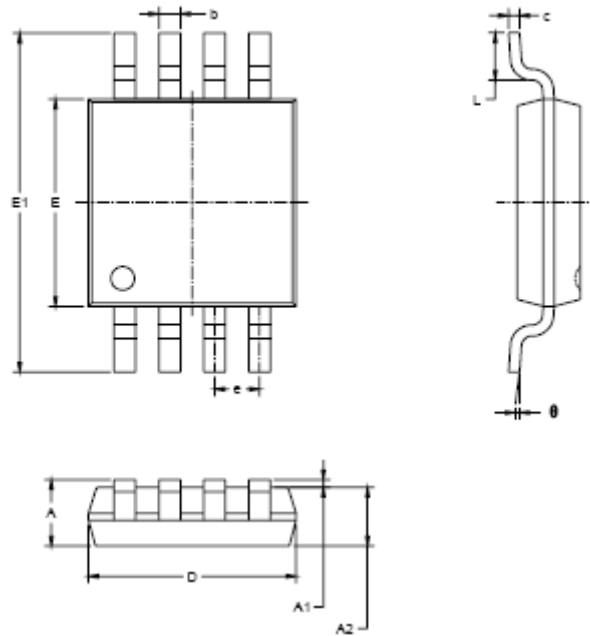
Package Information

SOP-8



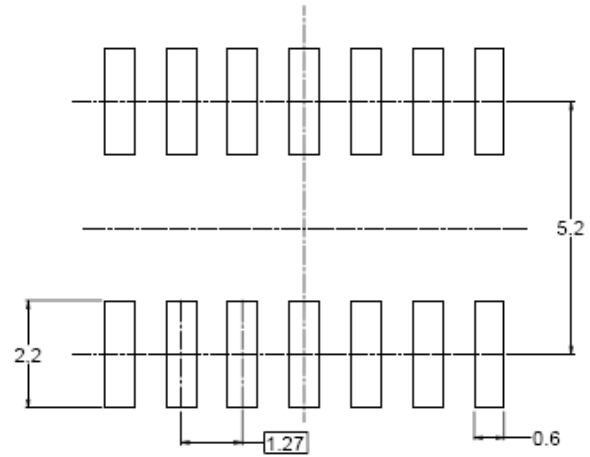
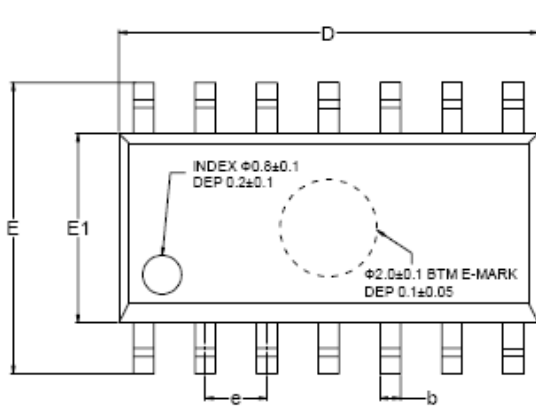
Symbol	Dimensions In Millimeters		Dimensions In Inches	
	MIN	MAX	MIN	MAX
A	1.350	1.750	0.053	0.069
A1	0.100	0.250	0.004	0.010
A2	1.350	1.550	0.053	0.061
b	0.330	0.510	0.013	0.020
c	0.170	0.250	0.006	0.010
D	4.700	5.100	0.185	0.200
E	3.800	4.000	0.150	0.157
E1	5.800	6.200	0.228	0.244
e	1.27 BSC		0.050 BSC	
L	0.400	1.270	0.016	0.050
$\theta$	0°	8°	0°	8°

MSOP-8

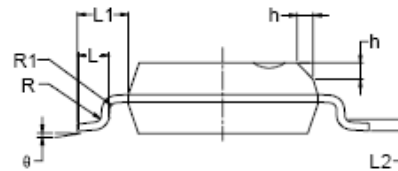
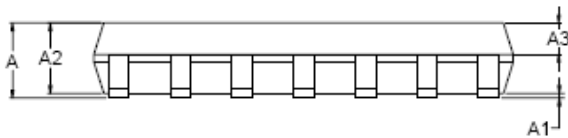


Symbol	Dimensions In Millimeters		Dimensions In Inches	
	MIN	MAX	MIN	MAX
A	0.820	1.100	0.032	0.043
A1	0.020	0.150	0.001	0.006
A2	0.750	0.950	0.030	0.037
b	0.250	0.380	0.010	0.015
c	0.090	0.230	0.004	0.009
D	2.900	3.100	0.114	0.122
E	2.900	3.100	0.114	0.122
E1	4.750	5.050	0.187	0.199
e	0.650 BSC		0.026 BSC	
L	0.400	0.800	0.016	0.031
θ	0°	6°	0°	6°

SOP-14

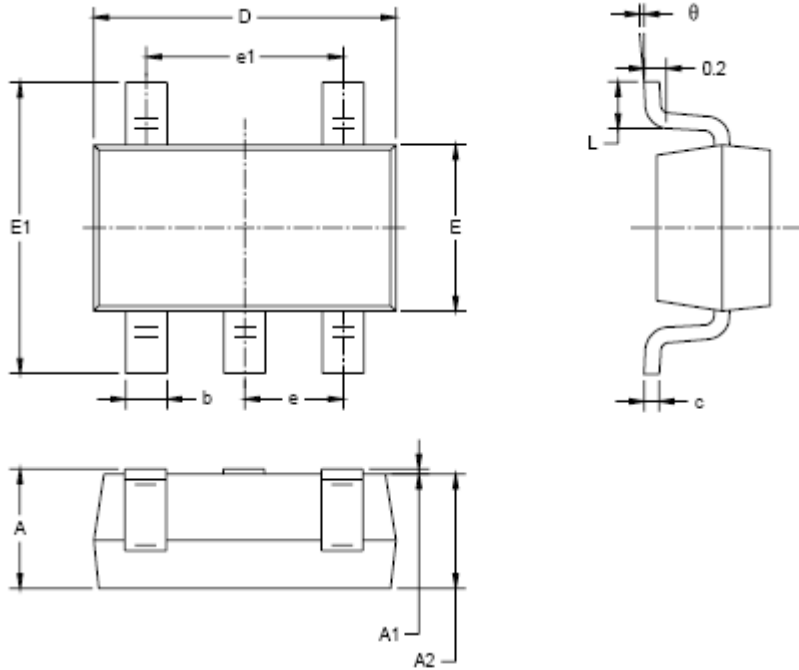


RECOMMENDED LAND PATTERN (Unit: mm)



Symbol	Dimensions In Millimeters			Dimensions In Inches		
	MIN	MOD	MAX	MIN	MOD	MAX
A	1.35		1.75	0.053		0.069
A1	0.10		0.25	0.004		0.010
A2	1.25		1.65	0.049		0.065
A3	0.55		0.75	0.022		0.030
b	0.36		0.49	0.014		0.019
D	8.53		8.73	0.336		0.344
E	5.80		6.20	0.228		0.244
E1	3.80		4.00	0.150		0.157
e	1.27 BSC			0.050 BSC		
L	0.45		0.80	0.018		0.032
L1	1.04 REF			0.040 REF		
L2	0.25 BSC			0.01 BSC		
R	0.07			0.003		
R1	0.07			0.003		
h	0.30		0.50	0.012		0.020
$\theta$	0°		8°	0°		8°

SOT23-5



Symbol	Dimensions In Millimeters		Dimensions In Inches	
	MIN	MAX	MIN	MAX
A	1.050	1.250	0.041	0.049
A1	0.000	0.100	0.000	0.004
A2	1.050	1.150	0.041	0.045
b	0.300	0.500	0.012	0.020
c	0.100	0.200	0.004	0.008
D	2.820	3.020	0.111	0.119
E	1.500	1.700	0.059	0.067
E1	2.650	2.950	0.104	0.116
e	0.950 BSC		0.037 BSC	
e1	1.900 BSC		0.075 BSC	
L	0.300	0.600	0.012	0.024
$\theta$	0°	8°	0°	8°

## X-ON Electronics

Largest Supplier of Electrical and Electronic Components

*Click to view similar products for [Operational Amplifiers - Op Amps](#) category:*

*Click to view products by [Gainsil](#) manufacturer:*

Other Similar products are found below :

[SC2902DTBR2G](#) [LM358SNG](#) [430227FB](#) [UPC451G2-A](#) [UPC824G2-A](#) [LT1678IS8](#) [042225DB](#) [058184EB](#) [UPC822G2-A](#) [UPC258G2-A](#)  
[NCS5651MNTXG](#) [NCV33202DMR2G](#) [NJM324E](#) [NTE925](#) [5962-9080901MCA\\*](#) [AZV358MTR-G1](#) [AP4310AUMTR-AG1](#)  
[HA1630D02MMEL-E](#) [HA1630S01LPEL-E](#) [AZV358MMTR-G1](#) [SCY33178DR2G](#) [NJU77806F3-TE1](#) [NCV5652MUTWG](#) [NCV20034DR2G](#)  
[NTE778S](#) [NTE871](#) [NTE924](#) [NTE937](#) [MCP6V16UT-E/OT](#) [MCP6V17T-E/MS](#) [MCP6V19T-E/ST](#) [SCY6358ADR2G](#) [NCS20282FCTTAG](#)  
[LM4565FVT-GE2](#) [EL5420CRZ-T7A](#) [TSV772IQ2T](#) [TSV792IYST](#) [NJM2100M-TE1](#) [COS2262MR](#) [COS2252MR](#) [COS5532SRB](#)  
[COS2272MR](#) [LMV358MR](#) [COS6002MR](#) [LMV358SR](#) [LM358SR](#) [RC4580MM/TR](#) [HGV8544M/TR](#) [HGV8541M/TR](#) [HGV8634M/TR](#)