

APPROVAL SPECIFICATIONS

DC插座

Product Model. DC-470-1-2.1-351

Customer's Part NO.

Customer's Model:

Customer's Approval Requested.

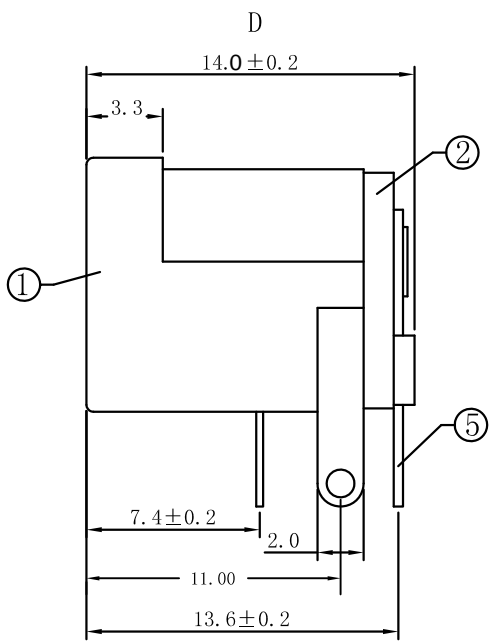
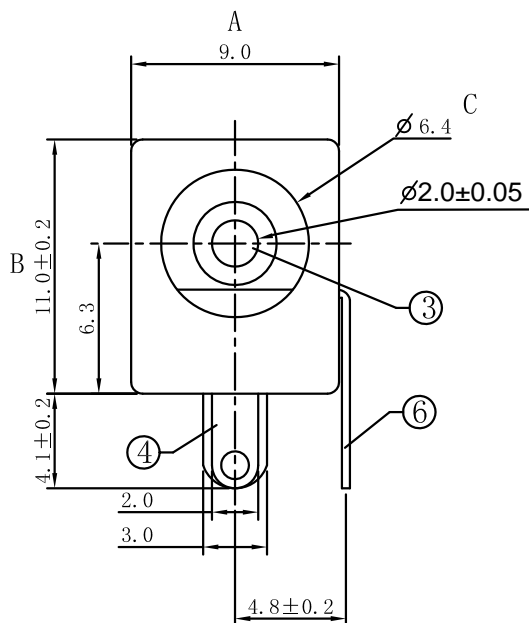
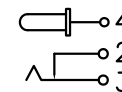
Please return this copy as a certification of your approval.

Checked by: _____ Date: _____

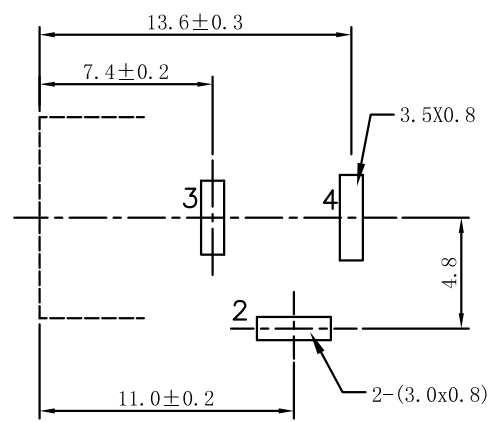
Approved by: _____ Date: _____

APPROVE	REVIEW	POLT
黄崇武	卢娇娇	孙斌

SCHMATIC



**P.C.B LAYOUT
TOP VIEW**



PIN	∅1.65	∅2.0	∅2.35	∅2.5
APPD.				

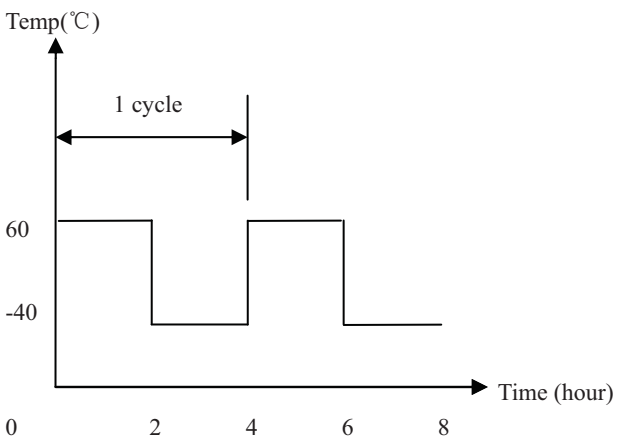
6	CURVE PIECE	1	H62 BRASS	Ag-Plating
5	FLAT PIECE	1	H62 BRASS	Ag-Plating
4	SPRING	1	SUS 301	Ag-Plating
3	PIN	1	H59 /H62 BRASS	Ni-Plating
2	COVER	1	PBT	
1	HOUSING	1	PBT	
NO.	DESCRIPTION	QTY	MATERIAL	PLATING

TOLERANCE UNLESS SPECIFIED				
UP TO 5mm±0.1	ANGULAR ±1°	1		
ABOVE 5mm±0.2		NO	DATE	REVISIONS
TITLE: DC POWER JACK		UNIT : MM	ROHS COMPLIANT	DWN
PART NO :DC-470-1-2.1-351 / DC-005		SCALE:1:1	CHK'D	
深圳市港源微键技术有限公司				APPD
Shenzhen Gangyuan Micro Key Technology Co., Ltd.				PRO.AGL: REV : A

SPECIFICATION

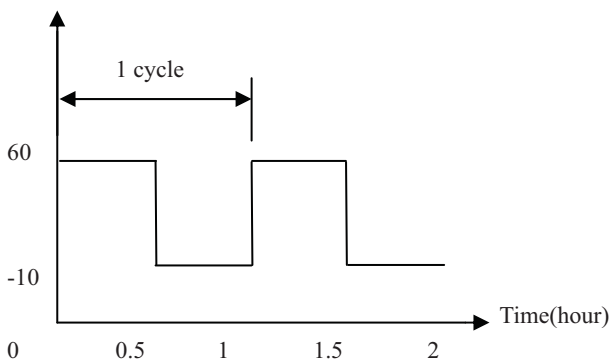
3.3	DIELECTRIC STRENGTH 耐电压	<p>AC 500V rms(50~60Hz)FOR 1 MIN TRIP CURRENT:0.5mA</p> <p>(1) BETWEEN BODY AND CONDUCTOR</p> <p>(2) BETWEEN CONDUCTORS NOT TO BE CONTACT</p> <p>(3) BETWEEN CONDUCTORS NOT TO BE WHEN PLUG IS INSERTED DC 500V 1 MIN</p> <p>输入 AC 500V (50Hz)/min 电压 1 分钟感度电流为 0.5mA, 按以下接触方法测试:</p> <p>(1) 插座体与排脚之间</p> <p>(2) 不接触的排脚之间</p> <p>(3) 插头插入时不接触排脚之间</p>	<p>WITHOUT DAMAGE TO PARTS ARCING OR BREAKDOWN ETC</p> <p>没有绝缘破坏等异常</p>
URABILITY (耐久性)			
ITEM 项目	TEST CONDITIONS 测试条件		PERFORMANCE 规格
4.1	SOLDERABILITY TEST 可焊性试验	<p>THE TOP OF THE TERMINALS SHALL BE DIPPED 1mm IN THE SOLDER BATH OF 240±5°C FOR 3±0.5 SECONDS</p> <p>端子顶部被浸入锡池中 1mm 深,温度为 240±5°C,时间为 3±0.5 秒</p>	<p>(1) SOLDER WETTING TIME SHALL BE 3 SEC OR LESS 焊接时间应少于 3 秒</p> <p>(2) THE AREA OF SOLDERING SHOULD BE OVER 95% 焊接面积应有 95%以上</p>
4.2	RESISTANCE TO SOLDERING HEAT TEST 耐焊性试验	<p>SOLDERING IRON METHOD: BIT TEMPERATURE 330±5°C APPLICATION TIME OF SOLDERING IRON 3±0.5 SEC HOWEVER EXCESSIVE PRESSURE SHALL NOT BE APPLIED TO THE TERMINAL</p> <p>手焊接的时候温度需控制在 330±5°C , 时间为 3±0.5 秒, 但不能在排脚上施加异常压力。</p>	<p>WITHOUT DEFORMATION OF CASE OR EXCESSIVE LOOSENESS OF TEMINALS ELECTRICAL CHARACTERISTICS SHALL BE SATISFIED</p> <p>本体无变形, 满足于机械、电气性能</p>
4.3	HUMIDITY TEST 潮湿试验	<p>THE JACK SHALL BE STORED AT A TEMPERATURE OF 40±2°C AND A HUMIDITY OF 90%TO 96% FOR 96 Hr,THEN THE JACK SHALL BE MAINTAINED AT STANDARD ATMOSPHERIC CONDITION FOR 1 Hr FOR OTHER PROCEDURES</p> <p>放置 40±2°C 的相应湿度为 90~96% Hr 环境中 96 小时后, 再将样板放在正常环境中 1 小时后进行测试</p>	<p>THERE SHALL BE NO DAMAGE ON APPEARANCE. MECHANICAL AND ELECTRICAL CHARACTERISTICS SHALL BE SATISFIED</p> <p>外观无异常, 满足于机械、电气性能。</p>
4.4	HEAT TEST 耐热试验	<p>THE JACK SHALL BE STORED AT A TEMPERATURE OF 70±2°C FOR 96 HOURS, AND THEN IT SHALL BE SUBJECTED TO THE CONTROLLED RECOVERY MBASURBM</p> <p>放置在温度 70±2°C 中测试 96 小时后, 再放置正常室温中 1 小时来测定</p>	

SPECIFICATION

4.5	<p>COLD TEST 耐寒试验</p>	<p>THE JACK SHALL BE STORED AT A TEMPERATURE OF $-25 \pm 3^{\circ}\text{C}$ FOR 96 HOURS AND THEN IT SHALL BE SUBJECTED TO THE CONTROLLED RECOVERY CONDITIONS FOR 1 HOUR AFTER WHICH 放置在温度 $-25 \pm 3^{\circ}\text{C}$ 中 96 小时后，再放置常温常湿中 1 小时来测定</p>	<p>THERE SHALL BE NO DAMAGE ON APPEARANCE MECHANICAL AND ELECTRICAL CHARACTERISTICS SHALL BE SATISFIED 外观无异常，满足于机械、电气性能</p>
4.6	<p>LIFE TEST 寿命试验</p>	<p>WITHOUT LOAD CONNECTION AND DISCONNECTION SHALL BE MADE WITH THE MATING PLUGS AND JACKS FOR 5, 000 CYCLES AT A SPEED OF 10 TO 25 CYCLES/MIN 无负荷 将结合了的标准 Plug(尽量要近于中心的)在 1 分钟内以 10~25 的速度，进行 5, 000 次插入，拔出</p> <p>LOAD: AT RATING CONDITION (NON-INDUCTIVE LOAD) CONNECTION AND DISCONNECTION SHALL BE MADE 1,000 CYCLES AT A SPEED 10 TO 20 CYCLES / MIN 负荷 以定格状态(无诱导负荷)在 1 分钟内以 10~20 次的速度进行 1,000 次插入、拔出</p>	<p>(1) CONTACT RESISTANCE SHALL BE $\leq 0.1 \Omega$ (2) DISCONNECTION FORCE SHALL BE 3 TO 30N (3) MECHANICAL AND ELECTRICAL CHARACTERISTICS SHALL BE SATISFIED (1) 接触电阻 $\leq 0.1 \Omega$ (2) 拔出力是 3~30N (3) 其它:满足于机械、电气性能</p>
4.7	<p>TEMPERATURE CYCLING TEST 温度循环测试</p>	<p>THE JACK SHALL BE SUB JECTED TO 5 CYCLES OF THE FOLLOWING CONDITIONS SHOWED IN THE FIGURE,AND THEN SHALL RETURNED ALLOWED TO REMAIN IN ROOM AMBIENT CONDITION FOR 30 MINUTES 将插座以下列条件作 10 个循环，然后放回室内环境 60 分钟</p> 	<p>THERE SHALL BE NO DEFORMATION OR CRACKS IN MOLDED PART. INSERTION & EXTRACTION FORCE: 3 TO 30N CONTACT RESISTANCE: MAX. 30m Ω INSULATION RESISTANCE: MIN. 100 M Ω DIELECTRIC WITHSTANDING VOLTAGE: 500VAC/MIN(BETWEEN TERMINALS)</p> <p>产品不能变形与破裂 插拔力: 3N 至 30N 接触电阻: 最大 30m Ω 绝缘电阻: 最小 100 M Ω 绝缘耐压: 最小 500VAC (端子之间)</p>

SPECIFICATION

ENVIRONMENTAL (环境性能)		
ITEM 项目	TEST CONDITIONS 测试条件	PERFORMANCE 规格
4.8	<p style="text-align: center;">SALT MIST TEST 盐雾测试</p> <p>1. TESTING BATH: THE TEMPERATURE SHALL $35^{\circ}\text{C}\pm 2^{\circ}\text{C}$ IN THE AMBIENT OF THE SPECIMEN DURING THE TEST.</p> <p>2. SPRAY APPARAUS: THE APPARATUS SHALL CAPABLE OF PRODUCING FINE DENSE MIST UNIFORMLY.</p> <p>3. SALT WATER: THE CONCENTRATION OF THE SALT WATER SHALL ADJUSTED AT $5\pm 1\%$ WEIGHT RATIO AT $35^{\circ}\text{C}\pm 2^{\circ}\text{C}$.</p> <p>4. TESTING TIME 24 ± 0.5HOURS. AFTER WASHED IN WATER 。 THE SAMPLE SHALL LEFT ALONE FOR 1 OR 2 HOURS IN A ROOM AMBIENT.</p> <p>1. 测试容器: 在测试过程中, 产品周围环境温度 $35^{\circ}\text{C}\pm 2^{\circ}\text{C}$。</p> <p>2. 喷雾设备: 盐雾要均匀喷出。</p> <p>3. 盐水: 盐水要在 $35^{\circ}\text{C}\pm 2^{\circ}\text{C}$ 温度条件下, 调整在 $5\pm 1\%$ 比例范围内。</p> <p>4. 测试时间: 24 ± 0.5 小时 清洗后, 样品在室内要单独放置 1 至 2 个小时。</p>	<p>APPEARANCE SHALL NOT EXTREMELY RUST. AND CONTACTING PORTIONS SHOULD SUCH THAT THEY WILL WORK WITHOUT HINDRANCE FOR PRACTICAL USE.</p> <p>表面不能有严重的腐蚀, 接触部分要不妨碍正常使用。</p>

4.9	<p style="text-align: center;">HEAT SHOCK TEST 热冲击测试</p> <p>THE JACK SHALL BE SUBJECTED TO 6 CYCLES OF THE FOLLOWING CONDITIONS SHOWN IN THE FIGURE, AND THEN SHALL RETURNED AND ALLOWED TO REMAIN IN ROOM AMBIENT CONDITION FOR 30 MINUTES 将插座以下列条件作 5 个循环, 然后放回室内环境 30 分钟</p> <p>TEMP ($^{\circ}\text{C}$)</p> 	<p>THERE SHALL BE NO DEFORMATION OR CRACKS IN MOLDED PART.</p> <p>INSERTION & EXTRACTION FORCE: 3 TO 30N</p> <p>CONTACT RESISTANCE: MAX. $30\text{m}\Omega$</p> <p>INSULATION RESISTANCE: MIN. $100\text{M}\Omega$</p> <p>DIELECTRIC WITHSTANDING VOLTAGE: 500VAC/MIN (BETWEEN TERMINALS)</p> <p>产品不能变形与破裂 插拔力: 3N 至 30N 接触电阻: 最大 $30\text{m}\Omega$ 绝缘电阻: 最小 $100\text{M}\Omega$ 绝缘耐压: 最小 500VAC (端子之间)</p>
-----	---	--

X-ON Electronics

Largest Supplier of Electrical and Electronic Components

Click to view similar products for [DC Power Connectors](#) category:

Click to view products by [GANGYUAN](#) manufacturer:

Other Similar products are found below :

[1600206-1](#) [163-0308-EX](#) [163-4012-EX](#) [163-4117-EX](#) [171-0721-EX](#) [KLDX-SMT-0202-BPTR](#) [163-1000-EX](#) [163-4007-EX](#) [163-4015-EX](#)
[171-0722-E](#) [171-7391](#) [K596](#) [KLD-0201-BC](#) [4C6831AX](#) [TS3PNJ](#) [E16550-0008](#) [DC PLUG-P1J-P1MR](#) [DC PLUG-P1M-P1MR](#) [09441](#)
[AS120-F](#) [09442](#) [AS120-M](#) [09759](#) [09760](#) [CP30240](#) [TAMIYA-M](#) [TAMIYA-MT2](#) [4840.1200](#) [4840.2202](#) [JC-135](#) [JC-138](#) [JC-210](#) [JC-214](#)
[JPO-25 \(FC6814\)](#) [JYO-26 \(FC6811\)](#) [JYO-29 \(FC68102\)](#) [KLB 3](#) [KLBM 3](#) [KLBPS 3](#) [KLBR 4](#) [KLS 10 SCHWARZ](#) [KPJXHT-4S](#) [DC-10A](#)
[FC68148](#) [DC-10B \(FC68149\)](#) [WKLS 2](#) [FA67555](#) [XNES/J 250 SCHWARZ](#) [FC68122C](#) [FC68124](#) [FC68125](#) [FC68129](#) [FC681375VH](#)