

0002

CUSTOMER _____

CUSTOMER'S P/N _____

DESCRIPTION _____ POWER INDUCTOR _____

SGTE PART NO. _____ GPDC1010-100M _____

SAMPLE NO. S09031301 REVISION NO. A DATE 13-Mar-09

SPECIFICATION FOR APPROVAL

FULLY APPROVED	REVISE APPROVED

GAN TONG

深圳感通科技有限公司 (大陸工廠)

GANTONG TECHNOLOGY (SHENZHEN) CO., LTD.

深圳市平湖街道平湖村萬福路 26 號

No.26 Wan fu Road, Ping hu Village. Ping hu town, Shenzhen City.

Tel: 0755-28457600

Fax: 0755-28452952

感通科技有限公司 (台灣辦事處)

臺北縣汐止市新台 5 路一段 77 號 10 樓之 7

10F~7, NO.77, Sec.1, Hsin Tai 5 Road, Shi-chi City, Taipei.

Tel: 886-2-8698-2341

Fax: 886-2-8698-2342

納美科技股份有限公司 (香港辦事處)

LAPEE TECHNOLOGY LIMITED

香港九龍尖沙嘴加連威老道嘉蘭圍 5-11 號利時商業大廈 17 樓 1713 室

Room 1713 17/F, Rise Commercial Bldg5-11 Granville Cri cuit, Granville Rd, TSim Sha Tsui., Kln

Tel: 852-25301111

Fax: 852-25371111

<http://www.szgte.com>

INDEX

COVER PAGE

- SHAPE & DIMENSION.....1-8

- ELECTRICAL CHARACTERISTICS AND EXTERNAL
TEST REPORT.....2-8

- ELECTRICAL CHARACTERISTICS.....3-8

- ELECTRICAL CHARACTERISTICS.....4-8

- ELECTRICAL CHARACTERISTICS.....5-8

- PACKING FOR SPECIFICATION.....6-8

- GENERAL CHARACTERISTICS.....7-8

- THE CONDITION OF REFLOW.....8-8

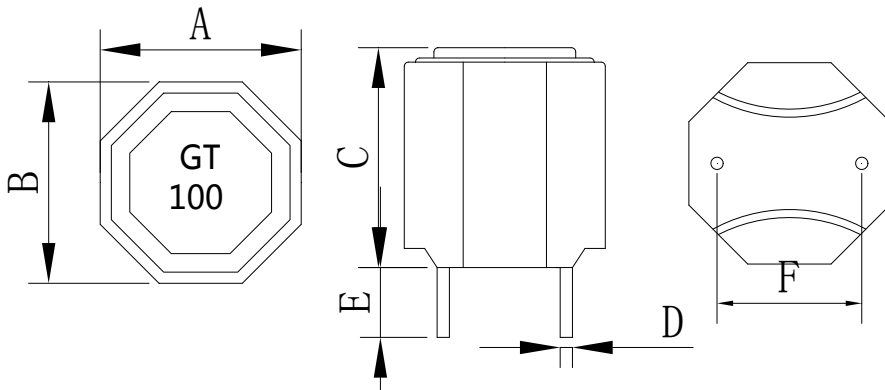
APPROVED BY	CHECKED BY	DRAWING BY
		Lisa 6/19

SPECIFICATION

**RoHS
COMPLIANT**

Customers Part Number	Item Name	Date
	Power Inductor	13-Mar-09
Gan Tong Part NO.	Sample NO.	Page
GPDC1010-100M	S09031301	1-8

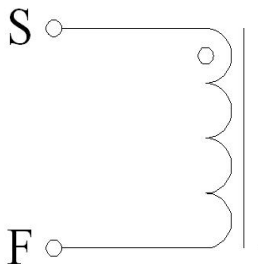
External Dimensions Unit (mm)



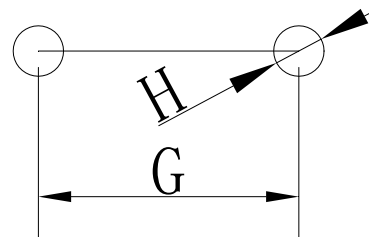
A	10.3± 0.5 (mm)
B	10.3± 0.5 (mm)
C	11.0Max (mm)
D	0.6± 0.1 (mm)
E	3.4± 0.5 (mm)
F	6.0± 0.5 (mm)
G	6.0± 0.5(mm)
H	1.0 (ref)

Coating:Black

Connection



Recommended Land Pattern



Electrical Specification

Measurement Item	Unit Tolerance	Specification	Test Frequency	Test Instrument
L	uH (±20%)	10.0uH ±20%	100KHz/1V	LCR Meter Agilent/4284A or Chroma /11300
DCR	mΩ	25mΩ (Max)		Chroma /16502
I rms	Amps	5A	100KHz/1V	LCR Meter Agilent/4284A+42841A
I sat	Amps	7A	100KHz/1V	or Chroma /11300+3302+1320+1320S

- I rms: Current that causes a 40°C temperature rise from 25°C ambient.
- I sat: DC current at which the inductance drops 35% from it's value without current.
- All test Data is referenced to 25°C ambient.
- Operating Temperature Range: -25°C to +125°C

TEST REPORT

**RoHS
COMPLIANT**

Customers Part Number	Item Name	Date	
	Power Inductor	13-Mar-09	
Gan Tong Part NO.	Sample NO.	Revision No.	Page
GPDC1010-100M	S09031301	A	2-8

Electrical Characteristic

Item	L0A	DCR	I rms	I sat
Specification	10.0uH	25mΩ	5Amps	7Amps
Tolerance	±20%	Max	$\Delta T \leq 40^{\circ}\text{C}$	$L \geq 65\%$
1	10.81	18.58	24.7°C	92.7%
2	10.82	18.98		
3	10.76	18.64		
4	10.68	18.74		
5	10.73	18.69		
6	10.88	18.78		
7	10.63	18.42		
8	10.75	18.75		
9	10.66	18.38		
10	10.85	18.42		
\bar{X}	10.76	18.64		
σ	0.08	0.18		

External Dimensions

Item	A	B	C	D	E	F
Specification	10.3	10.3	11.0	0.6	3.4	6.0
Tolerance	± 0.5 (mm)	± 0.5 (mm)	Max (mm)	± 0.1 (mm)	± 0.5 (mm)	± 0.5 (mm)
1	10.23	10.21	7.65	0.58	3.43	6.07
2	10.31	10.25	7.75	0.59	3.44	6.08
3	10.32	10.25	7.83	0.57	3.54	6.09
4	10.32	10.25	7.74	0.58	3.36	6.09
5	10.21	10.22	7.69	0.59	3.37	6.07
6	10.31	10.22	7.85	0.59	3.46	6.09
7	10.23	10.21	7.67	0.59	3.44	6.08
8	10.25	10.20	7.72	0.58	3.43	6.09
9	10.28	10.23	7.64	0.59	3.42	6.07
10	10.30	10.25	7.73	0.58	3.47	6.07
\bar{X}	10.28	10.23	7.73	0.58	3.44	6.08
σ	0.04	0.02	0.07	0.01	0.05	0.01

Inductance measured at 100KHz/1Vrms.

Electrical specifications at 25°C. Humidity 60±10%

ELECTRICAL CHARACTERISTICS

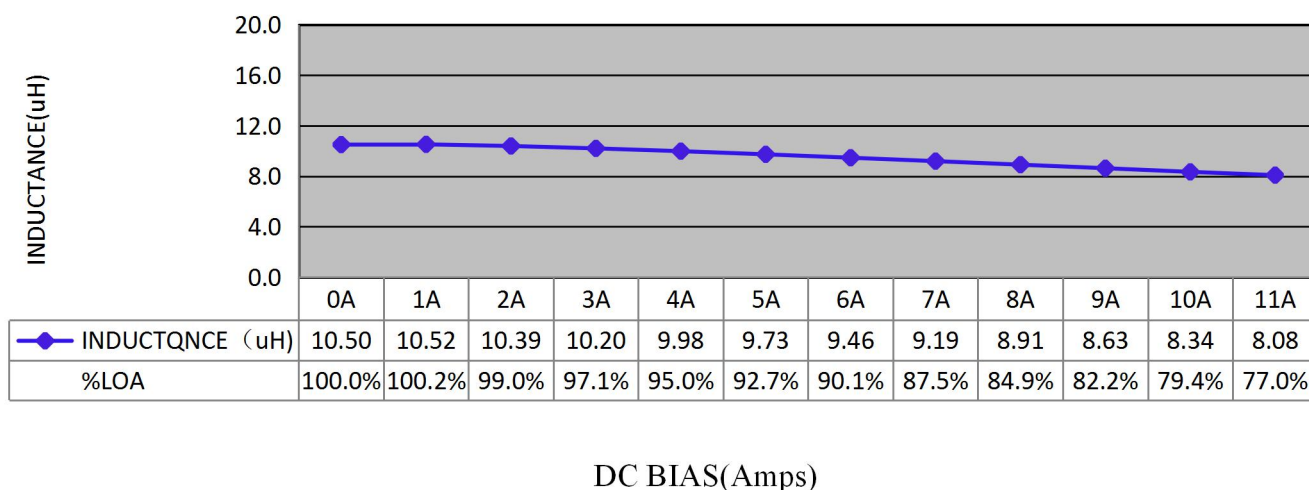
**RoHS
COMPLIANT**

Customers Part Number	Item Name	Date
	Power Inductor	13-Mar-09
Gan Tong Part NO.	Sample NO.	Page
GPDC1010-100M	S09031301	3-8

Inductance VS DC current

IDC	L	%LOA				
0A	10.50	100%				
1A	10.52	100.2%				
2A	10.39	99.0%				
3A	10.20	97.1%				
4A	9.98	95.0%				
5A	9.73	92.7%				
6A	9.46	90.1%				
7A	9.19	87.5%				
8A	8.91	84.9%				
9A	8.63	82.2%				
10A	8.34	79.4%				
11A	8.08	77.0%				

CONDITTON: 100KHZ/1.0Vrms



DC BIAS(Amps)

ELECTRICAL CHARACTERISTICS

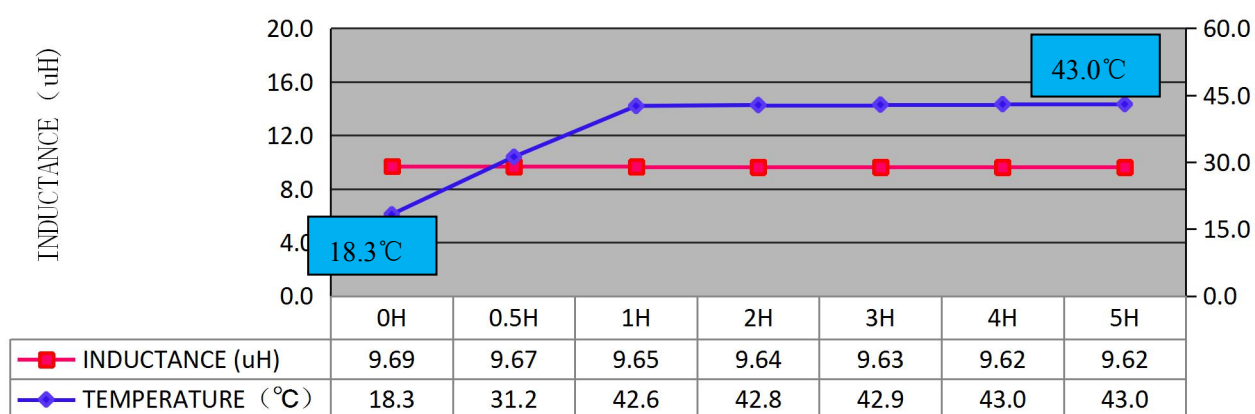
RoHS
COMPLIANT

Customers Part Number	Item Name	Date
	Power Inductor	13-Mar-09
Gan Tong Part NO.	Sample NO.	Page
GPDC1010-100M	S09031301	4-8

DC current VS Temperature

Time	L (μ H)	T ($^{\circ}$ C)	Δ T($^{\circ}$ C)			
0h	9.69	18.3				
0.5h	9.67	31.2	12.9			
1h	9.65	42.6	24.3			
2h	9.64	42.8	24.5			
3h	9.63	42.9	24.6			
4h	9.62	43.0	24.7			
5h	9.62	43.0	24.7			

CONDITTON: Load 5A



Inductance VS Temperature

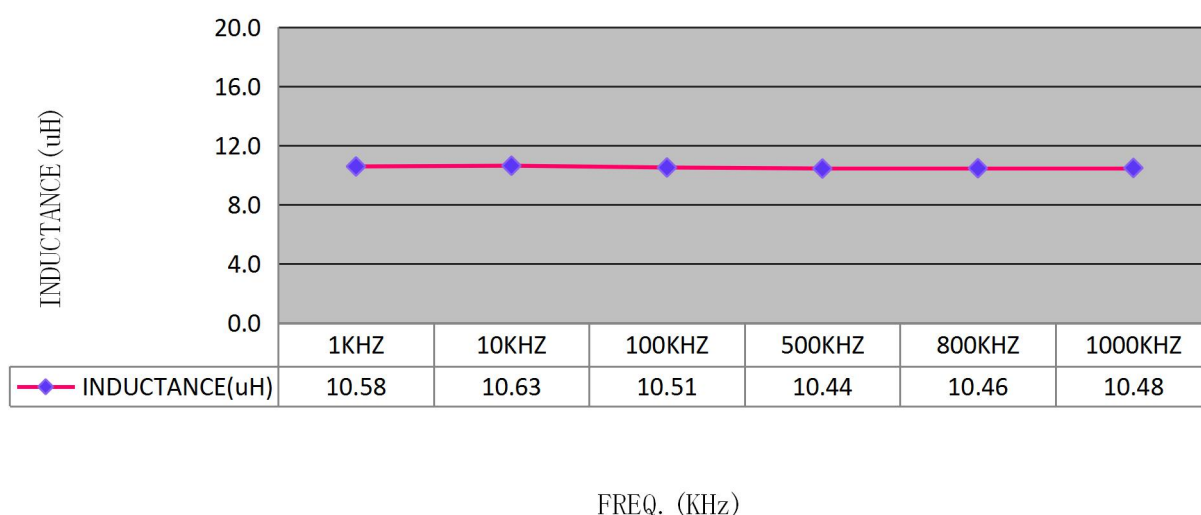
ELECTRICAL CHARACTERISTICS

**RoHS
COMPLIANT**

Customers Part Number	Item Name	Date
	Power Inductor	13-Mar-09
Gan Tong Part NO.	Sample NO.	Page
GPDC1010-100M	S09031301	5-8

Inductance VS Frequency

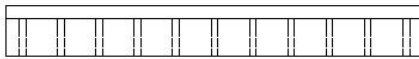
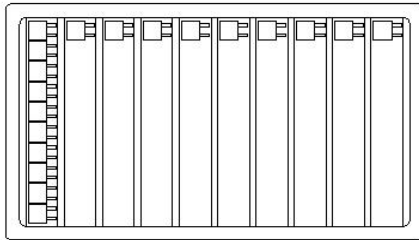
FREQ.	L (μH)					
1KHZ	10.58					
10KHZ	10.63					
100KHZ	10.51					
500KHZ	10.44					
800KHZ	10.46					
1000KHZ	10.48					



PACKING FOR SPECIFICATION

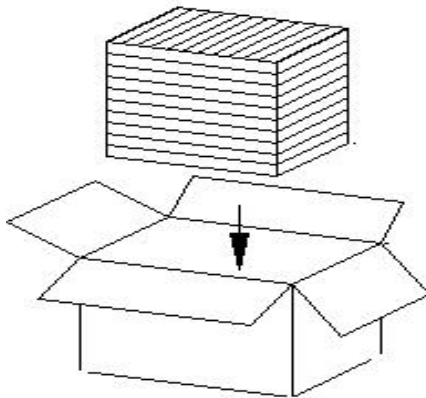
**RoHS
COMPLIANT**

Customers Part Number	Item Name	Date
	Power Inductor	13-Mar-09
Gan Tong Part NO.	Sample NO.	Page
GPDC1010-100M	S09031301	6-8



PET Size : 215*148 *16 (D) mm

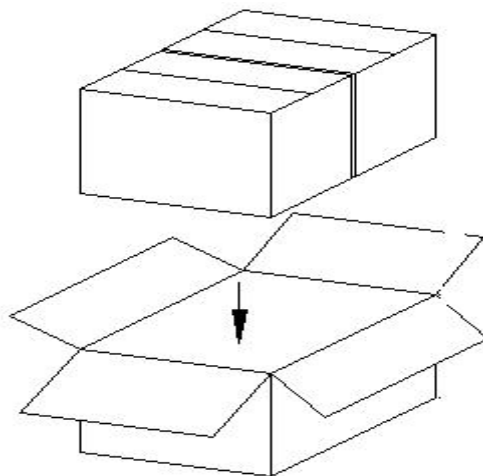
Quantity : 130PCS/PET



Small box Size : 238*156*165 mm

Quantity : 10PET/Small box

1Small box/1300PCS



Big box Size : 328*251*175 mm

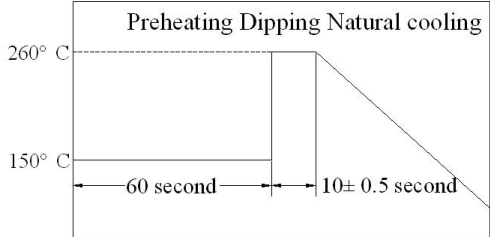
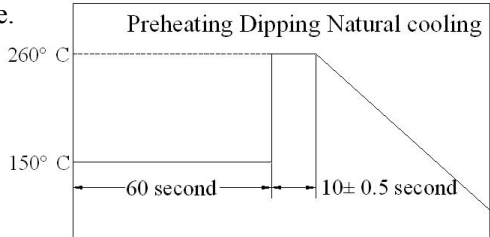
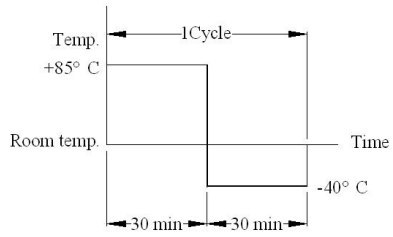
Quantity : 2 Small box/Big box

1 Big box/2600PCS

GENERAL CHARACTERISTICS

Gan Tong Part NO.: GPDC1010-100M

PAGE : 7-8

Item	Performance	Test Condition
Mechanical Performance Test		
Solder ability Test	<p>More than 90% of terminal electrode should be covered with solder.</p> <p>After fluxing, component shall be dipped in a melted solder bath at $260\pm 5^{\circ}\text{C}$ for 10 seconds</p>	
Solder Heat Resistance	<p>Components should have not evidence of electrical and mechanical damage.</p> <p>Inductance: within $\pm 20\%$ of initial value.</p> <p>Preheat: 150°C 60 seconds</p> <p>Solder: (SnCu0.7)</p> <p>Solder Temperature: $260\pm 5^{\circ}\text{C}$</p> <p>Flux: Rosin.</p> <p>Dip time: 10 ± 0.5 seconds</p>	
Low temperature storage test	<p>1. Appearance: No damage.</p> <p>2. Inductance: within $\pm 20\%$ of initial value.</p> <p>3. No disconnection or short circuit.</p>	<p>Temperature: $-40^{\circ}\text{C} \pm 5^{\circ}\text{C}$ Time: 500 ± 12 Hours</p> <p>Recovery: 4 to 24 hours of recovery under the standard condition after the removal from test chamber.</p>
High temperature storage test		<p>Temperature: $85^{\circ}\text{C} \pm 5^{\circ}\text{C}$ Time: 500 ± 2 Hours</p> <p>Recovery: 4 to 24 hours of recovery under the standard condition after the removal from test chamber.</p>
Thermal Shock Test (Temperature cycle)		<p>$-40 \pm 5^{\circ}\text{C}$ for 30 Minutes. $+85 \pm 5^{\circ}\text{C}$ for 30 Minutes.</p> <p>Total: 10 Cycles</p> 
Humidity load life test		<p>Temperature: $40 \pm 5^{\circ}\text{C}$ Humidity: 90-95%</p> <p>Time: 500 ± 12 Hours Load: Allowed DC current</p> <p>Recovery: 4 to 24 hours of recovery under the standard condition after the removal from test chamber.</p>

THE CONDITION OF REFLOW

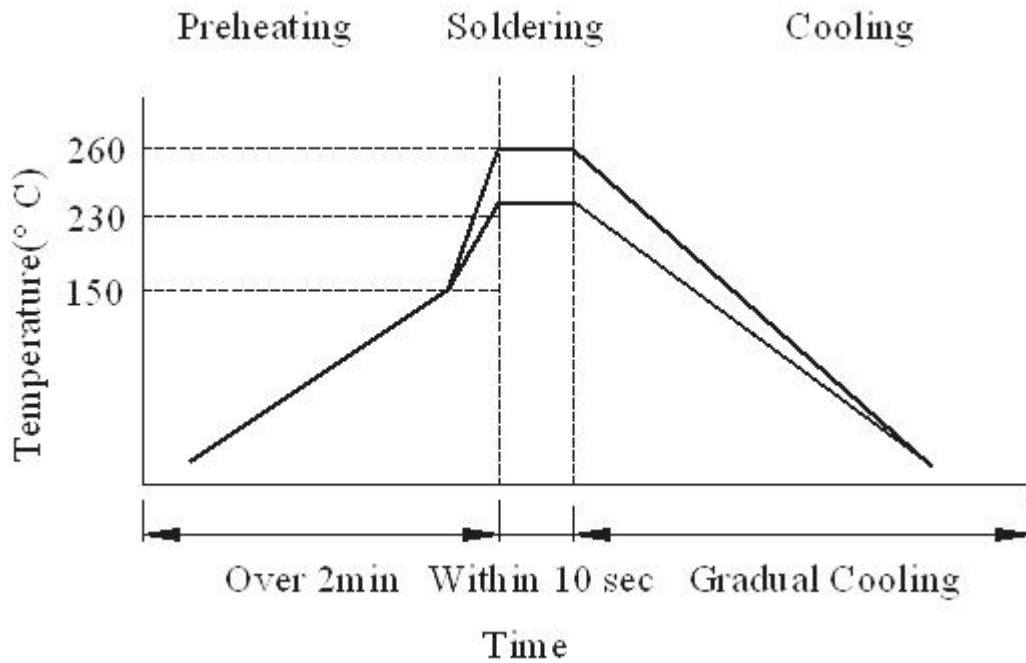
RoHS
COMPLIANT

Gan Tong Part NO. : GPDC1010-100M

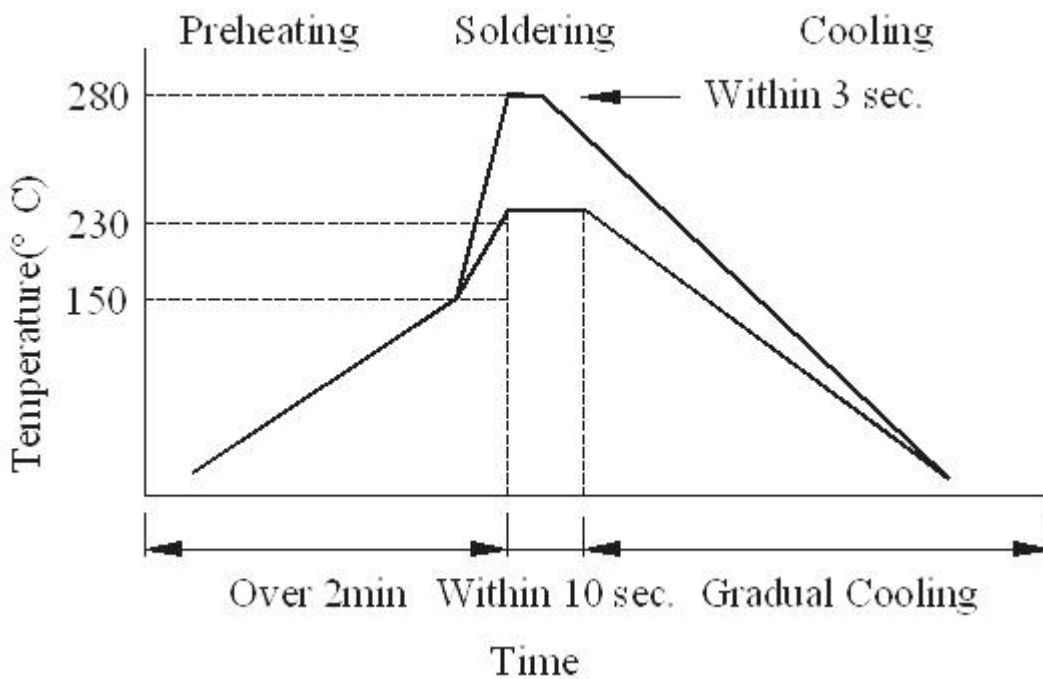
PAGE :

8-8

Wave Soldering



Hand soldering



X-ON Electronics

Largest Supplier of Electrical and Electronic Components

Click to view similar products for [Fixed Inductors](#) category:

Click to view products by [Gantong](#) manufacturer:

Other Similar products are found below :

[CR32NP-151KC](#) [CR32NP-180KC](#) [CR32NP-181KC](#) [CR32NP-1R5MC](#) [CR32NP-390KC](#) [CR32NP-3R9MC](#) [CR32NP-680KC](#) [CR32NP-820KC](#) [CR32NP-8R2MC](#) [CR43NP-390KC](#) [CR43NP-560KC](#) [CR43NP-680KC](#) [CR54NP-181KC](#) [CR54NP-470LC](#) [CR54NP-820KC](#) [CR54NP-8R5MC](#) [70F224AI](#) [MGDQ4-00004-P](#) [MHL1ECTTP18NJ](#) [MHQ1005P10NJ](#) [MHQ1005P1N0S](#) [MHQ1005P2N4S](#) [MHQ1005P3N6S](#) [MHQ1005P5N1S](#) [MHQ1005P8N2J](#) [PE-51506NL](#) [PE-53601NL](#) [PE-53602NL](#) [PE-53630NL](#) [PE-53824SNLT](#) [PE-92100NL](#) [PG0434.801NLT](#) [PG0936.113NLT](#) [9220-20](#) [9310-16](#) [PM06-2N7](#) [PM06-39NJ](#) [A01TK](#) [1206CS-471XJ](#) [HC2LP-R47-R](#) [HC2-R47-R](#) [HC3-2R2-R](#) [HCF1305-3R3-R](#) [1206CS-151XG](#) [RCH664NP-140L](#) [RCH664NP-4R7M](#) [RCH8011NP-221L](#) [RCP1317NP-332L](#) [RCP1317NP-391L](#) [RCR1010NP-470M](#)