

CUSTOMER _____

CUSTOMER'S P/N _____

DESCRIPTION _____ POWER INDUCTOR _____

SGTE PART NO. _____ GPDC1010-330M05 _____

SAMPLE NO.: S13102901 REVISION NO. A DATE 29-Oct-13

SPECIFICATION FOR APPROVAL

FULLY APPROVED	REVISE APPROVED

SGTE 感通科技

深圳感通科技有限公司 (大陸工廠)

GANTONG TECHNOLOGY (SHENZHEN) CO., LTD.

深圳市平湖街道平湖村萬福路 26 號

No.26 Wan fu Road, Ping hu Village. Ping hu town, Shenzhen City.

Tel: 0755-28457600

Fax: 0755-28452952

感通科技有限公司 (台灣辦事處)

臺北縣汐止市新台 5 路一段 77 號 10 樓之 7

10F~7, N0.77, Sec.1, Hsin Tai 5 Road, Shi-chi City, Taipei.

Tel: 886-2-8698-2341

Fax: 886-2-8698-2342

納美科技股份有限公司 (香港辦事處)

LAPEE TECHNOLOGY LIMITED

香港九龍尖沙嘴加連威老道嘉蘭圍 5-11 號利時商業大廈 17 樓 1713 室

Room 1713 17/F, Rise Commercial Bldg5-11 Granville Cri cuit, Granville Rd, TSim Sha Tsui., Kln

Tel: 852-25301111

Fax: 852-25371111

<http://www.sgte.cn>

SPECIFICATION

**RoHS
COMPLIANT**

INDEX

COVER PAGE

- SHAPE & DIMENSION.....1-8

- ELECTRICAL CHARACTERISTICS AND EXTERNAL
TEST REPORT.....2-8

- ELECTRICAL CHARACTERISTICS.....3-8

- ELECTRICAL CHARACTERISTICS.....4-8

- ELECTRICAL CHARACTERISTICS.....5-8

- PACKING FOR SPECIFICATION.....6-8

- GENERAL CHARACTERISTICS.....7-8

- THE CONDITION OF REFLOW.....8-8

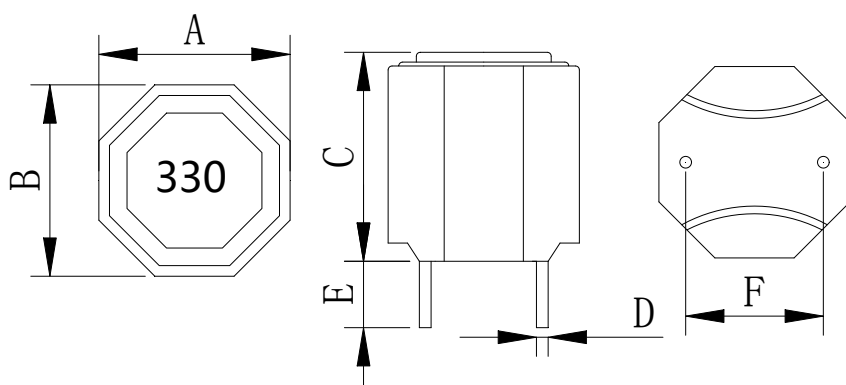
APPROVED BY	CHECKED BY	DRAWING BY
Tianyi 10/29		Li 10/29

SPECIFICATION

**RoHS
COMPLIANT**

Customers Part Number	Item Name	Date
	Power Inductor	29-Oct-13
Gan Tong Part NO.	Sample NO.	Page
GPDC1010-330M05	S13102901	1-8

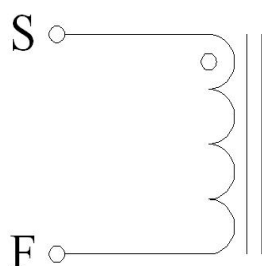
External Dimensions Unit (mm)



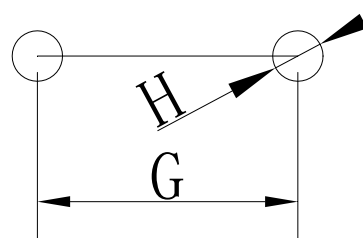
A	10.0± 0.5 (mm)
B	10.0± 0.5 (mm)
C	12.0Max (mm)
D	0.6± 0.1 (mm)
E	3.4± 0.5 (mm)
F	6.0± 0.5 (mm)
G	6.0± 0.5(mm)
H	1.0 (ref)

Coating:Black

Connection



Recommended Land Pattern



Electrical Specification

Measurement Item	Unit Tolerance	Specification	Test Frequency	Test Instrument
L	uH (±20%)	33.0uH ±20%	100KHz/1V	LCR Meter Agilent/4284A or Chroma /11300
DCR	mΩ	56.0mΩ (Max)		Chroma /16502
I rms	Amps	4A	100KHz/1V	LCR Meter Agilent/4284A+42841A
I sat	Amps	7A	100KHz/1V	or Chroma /11300+3302+1320+1320S

- I rms: Current that causes a 40°C temperature rise from 25°C ambient.
- I sat: DC current at which the inductance drops 35% from it's value without current.
- All test Data is referenced to 25°C ambient.
- Operating Temperature Range: -25°C to +125°C

TEST REPORT

RoHS
COMPLIANT

Customers Part Number	Item Name	Date	
	Power Inductor	29-Oct-13	
Gan Tong Part NO.	Sample NO.	Revision No.	Page
GPDC1010-330M05	S13102901	A	2-8

Electrical Characteristic

Item	L0A	DCR	I rms	I sat
Specification	33.0uH	56.0m Ω	4Amps	7Amps
Tolerance	$\pm 20\%$	Max	$\Delta T \leq 40^{\circ}\text{C}$	$L \geq 65\%$
1	31.42	42.70	17.3 $^{\circ}\text{C}$	79.6%
2	32.50	42.76		
3	32.71	42.81		
4	32.52	42.94		
5	31.53	42.61		
6	33.22	42.53		
7	31.39	42.35		
8	31.42	42.86		
9	31.06	42.14		
10	32.90	42.59		
\bar{X}	32.07	42.82		
σ	0.74	0.16		

External Dimensions

Item	A	B	C	D	E	F
Specification	10.0	10.0	12.0	0.6	3.4	5.8
Tolerance	± 0.5 (mm)	± 0.5 (mm)	Max (mm)	± 0.1 (mm)	± 0.5 (mm)	± 0.5 (mm)
1	10.07	10.09	10.82	0.58	3.69	6.03
2	10.04	10.16	10.93	0.64	3.71	5.96
3	10.10	10.11	10.85	0.57	3.73	6.03
4	10.10	10.14	10.83	0.61	3.64	6.08
5	10.07	10.09	10.79	0.60	3.59	6.02
6	10.09	10.07	10.86	0.59	3.50	6.05
7	10.06	10.10	10.82	0.59	3.61	5.98
8	10.06	10.08	10.74	0.59	3.57	6.00
9	10.09	10.09	10.77	0.60	3.49	6.11
10	10.09	10.08	10.84	0.58	3.53	6.05
\bar{X}	10.08	10.10	10.83	0.60	3.61	6.03
σ	0.02	0.03	0.05	0.02	0.08	0.04

Inductance measured at 100KHz/1Vrms.

Electrical specifications at 25 $^{\circ}\text{C}$. Humidity 60 \pm 10%

ELECTRICAL CHARACTERISTICS

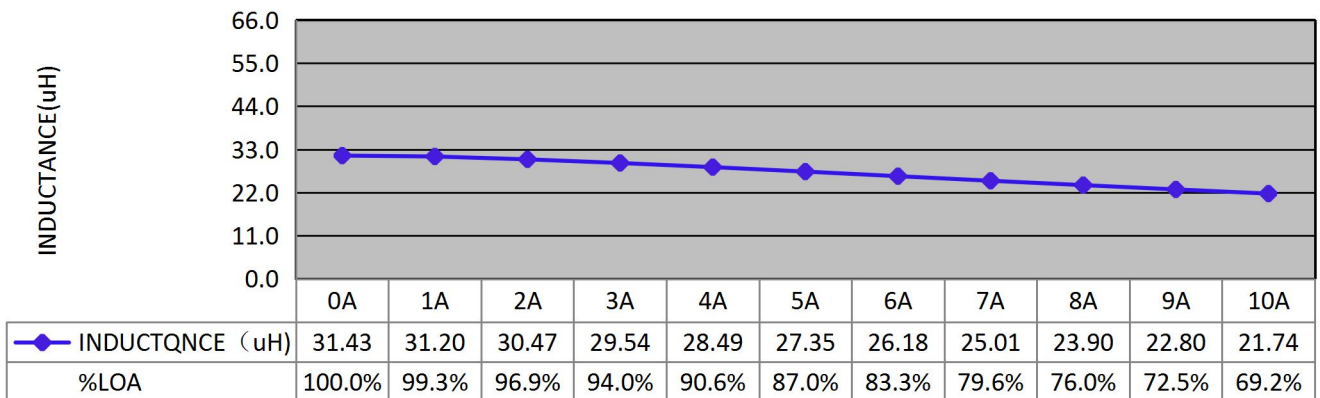
**RoHS
COMPLIANT**

Customers Part Number	Item Name	Date
	Power Inductor	29-Oct-13
Gan Tong Part NO.	Sample NO.	Page
GPDC1010-330M05	S13102901	3-8

Inductance VS DC current

IDC	L	%LOA				
0A	31.43	100.0%				
1A	31.20	99.3%				
2A	30.47	96.9%				
3A	29.54	94.0%				
4A	28.49	90.6%				
5A	27.35	87.0%				
6A	26.18	83.3%				
7A	25.01	79.6%				
8A	23.90	76.0%				
9A	22.80	72.5%				
10A	21.74	69.2%				

CONDITION: 100KHZ/1.0Vrms



DC BIAS(Amps)

ELECTRICAL CHARACTERISTICS

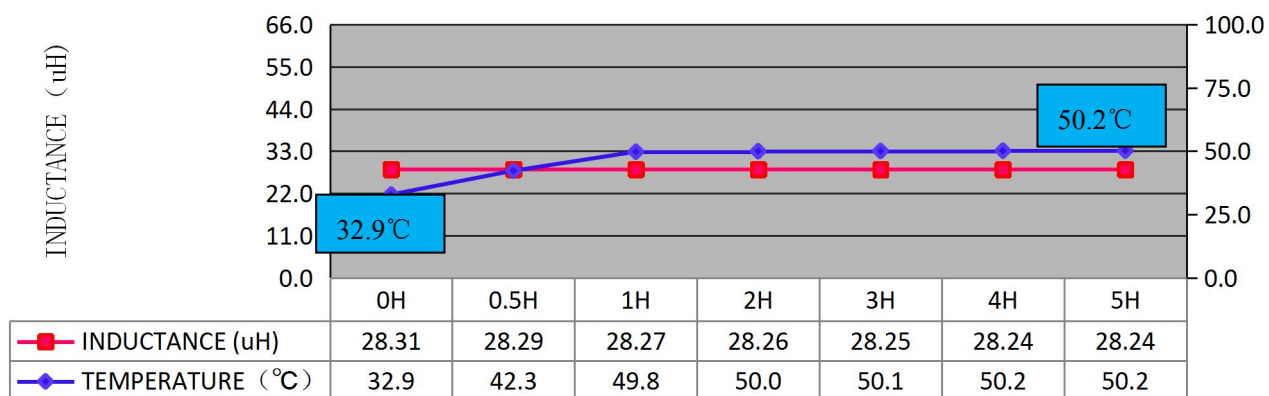
**RoHS
COMPLIANT**

Customers Part Number	Item Name	Date
	Power Inductor	29-Oct-13
Gan Tong Part NO.	Sample NO.	Page
GPDC1010-330M05	S13102901	4-8

DC current VS Temperature

Time	L (μ H)	T ($^{\circ}$ C)	Δ T($^{\circ}$ C)			
0h	28.31	32.9				
0.5h	28.29	42.3	9.4			
1h	28.27	49.8	16.9			
2h	28.26	50.0	17.1			
3h	28.25	50.1	17.2			
4h	28.24	50.2	17.3			
5h	28.24	50.2	17.3			

CONDITION: Load 4A



Inductance VS Temperature

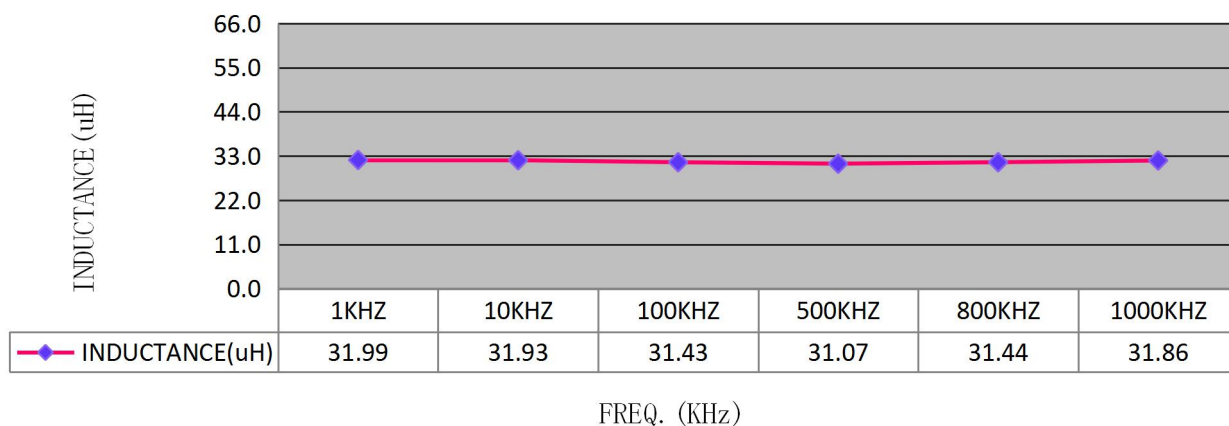
ELECTRICAL CHARACTERISTICS

**RoHS
COMPLIANT**

Customers Part Number	Item Name	Date
	Power Inductor	29-Oct-13
Gan Tong Part NO.	Sample NO.	Page
GPDC1010-330M05	S13102901	5-8

Inductance VS Frequency

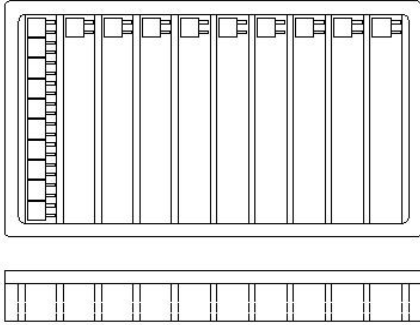
FREQ.	L (μ H)					
1KHZ	31.99					
10KHZ	31.93					
100KHZ	31.43					
500KHZ	31.07					
800KHZ	31.44					
1000KHZ	31.86					



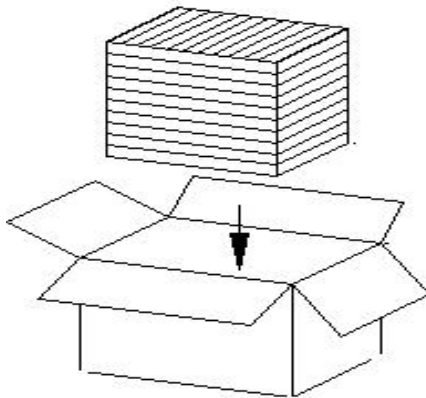
PACKING FOR SPECIFICATION

**RoHS
COMPLIANT**

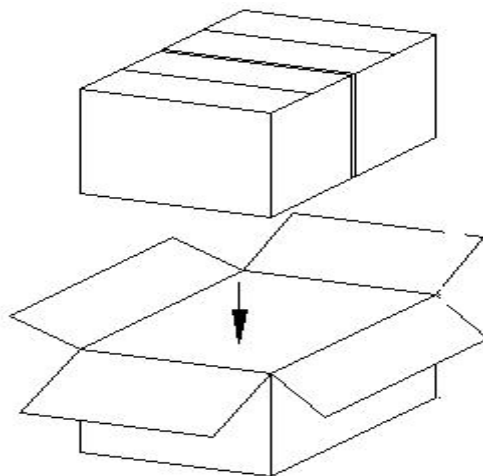
Customers Part Number	Item Name	Date
	Power Inductor	29-Oct-13
Gan Tong Part NO.	Sample NO.	Page
GPDC1010-330M05	S13102901	6-8



PET Size :215*148*16(C) mm
Quantity : 110PCS/PET



Small box Size : 238*156*165 mm
Quantity : 10PET/Small box
1Small box/1100PCS

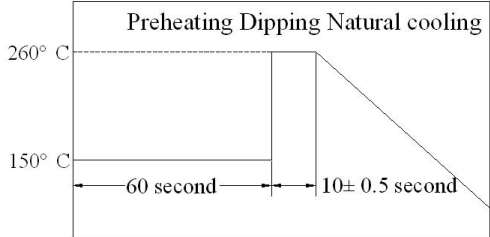
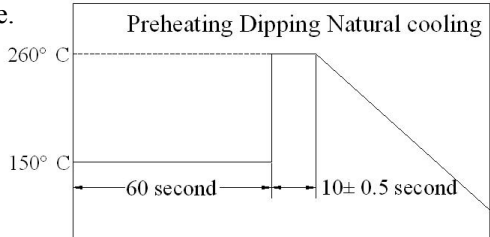
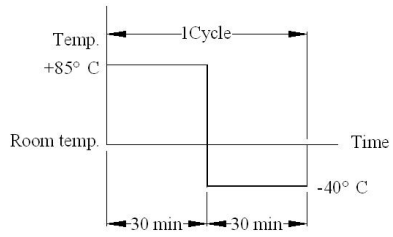


Big box Size : 328*251*175 mm
Quantity : 2 Small box/Big box
1 Big box/2200PCS

GENERAL CHARACTERISTICS

Gan Tong Part NO.: GPDC1010-330M05

PAGE : 7-8

Item	Performance	Test Condition
Mechanical Performance Test		
Solder ability Test	More than 90% of terminal electrode should be covered with solder. After fluxing, component shall be dipped in a melted solder bath at $260\pm 5^{\circ}\text{C}$ for 10 seconds	
Solder Heat Resistance	Components should have not evidence of electrical and mechanical damage. Inductance: within $\pm 20\%$ of initial value. Preheat: 150°C 60 seconds Solder: (SnCu0.7) Solder Temperature: $260\pm 5^{\circ}\text{C}$ Flux: Rosin. Dip time: 10 ± 0.5 seconds	
Low temperature storage test	1. Appearance: No damage. 2. Inductance: within $\pm 20\%$ of initial value. 3. No disconnection or short circuit.	Temperature: $-40^{\circ}\text{C}\pm 5^{\circ}\text{C}$ Time: 500 ± 12 Hours Recovery: 4to24hrs of recovery under the standard condition after the removal from test chamber.
High temperature storage test		Temperature: $85^{\circ}\text{C}\pm 5^{\circ}\text{C}$ Time: 500 ± 2 Hours Recovery: 4to24hrs of recovery under the standard condition after the removal from test chamber.
Thermal Shock Test (Temperature cycle)		$-40\pm 5^{\circ}\text{C}$ for 30 Minutes. $+85\pm 5^{\circ}\text{C}$ for 30 Minutes. Total: 10 Cycles 
Humidity load life test		Temperature: $40\pm 5^{\circ}\text{C}$ Humidity: 90-95% Time: 500 ± 12 Hours Load: Allowed DC current Recovery: 4to24hrs of recovery under the standard condition after the removal from test chamber.

THE CONDITION OF REFLOW

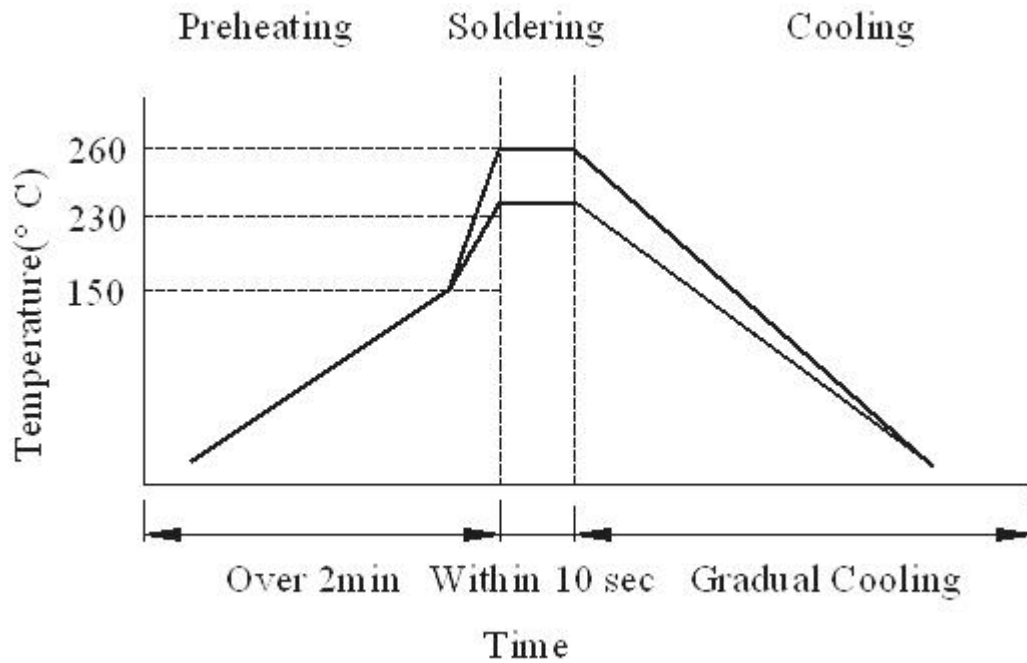
RoHS
COMPLIANT

Gan Tong Part NO. : GPDC1010-330M05

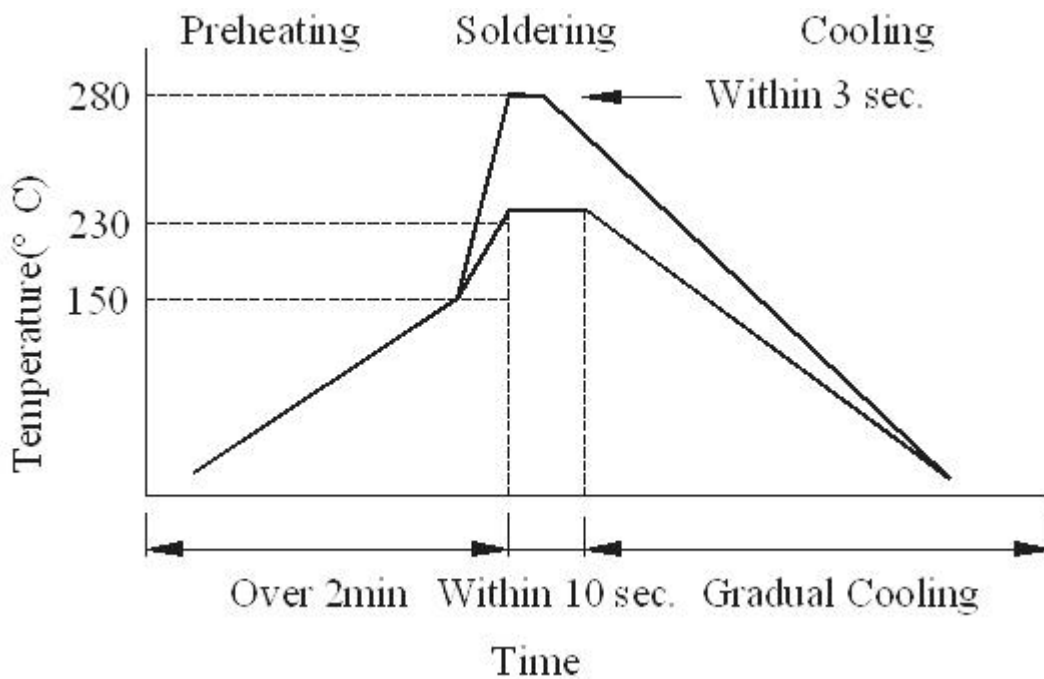
PAGE :

8-8

Wave Soldering



Hand soldering



X-ON Electronics

Largest Supplier of Electrical and Electronic Components

Click to view similar products for [Fixed Inductors](#) category:

Click to view products by [Gantong](#) manufacturer:

Other Similar products are found below :

[CR43NP-680KC](#) [CR54NP-470LC](#) [CR54NP-820KC](#) [CR54NP-8R5MC](#) [70F224AI](#) [MGDQ4-00004-P](#) [MHL1ECTTP18NJ](#) [MHQ1005P10NJ](#)
[MHQ1005P1N0S](#) [MHQ1005P2N4S](#) [MHQ1005P3N6S](#) [MHQ1005P5N1S](#) [MHQ1005P8N2J](#) [PE-51506NL](#) [PE-53601NL](#) [PE-53602NL](#) [PE-](#)
[53630NL](#) [PE-53824SNLT](#) [PE-92100NL](#) [PG0434.801NLT](#) [PG0936.113NLT](#) [9220-20](#) [9310-16](#) [PM06-2N7](#) [PM06-39NJ](#) [A01TK](#) [1206CS-](#)
[471XJ](#) [HC2LP-R47-R](#) [HC2-R47-R](#) [HC3-2R2-R](#) [HC3-R50-R](#) [HC8-1R2-R](#) [HCF1305-3R3-R](#) [1206CS-151XG](#) [RCH664NP-140L](#) [RCH664NP-](#)
[4R7M](#) [RCH8011NP-221L](#) [RCP1317NP-332L](#) [RCP1317NP-391L](#) [RCR1010NP-470M](#) [RCR110DNP-331L](#) [DH2280-4R7M](#) [DS1608C-106](#)
[ASPI-4020HI-R10M-T](#) [B10TJ](#) [B82498B3101J000](#) [ELJ-RE27NJF2](#) [1812CS-153XJ](#) [1812CS-183XJ](#) [1812CS-223XJ](#)