

HEAVY DUTY TOGGLES



Fig. 1



Fig. 2



Fig. 3



Fig. 4



Fig. 5



Fig. 6



Fig. 7



Fig. 8



Fig. 9



Fig. 10



Fig. 11

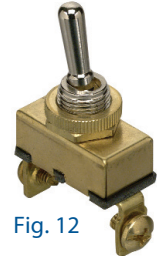


Fig. 12

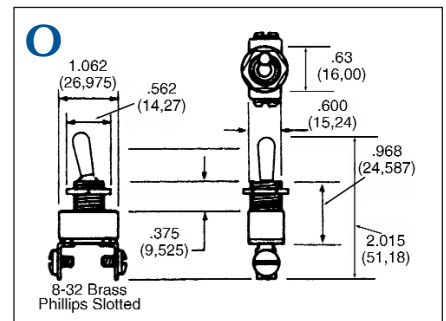
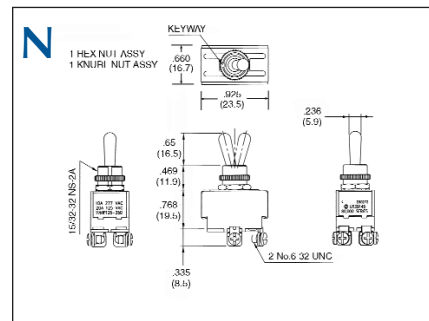
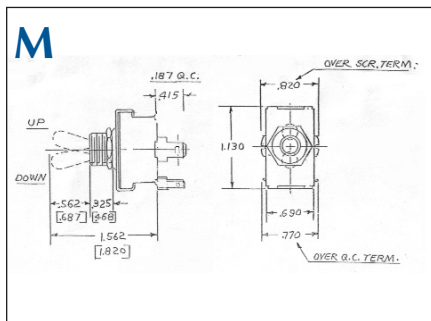
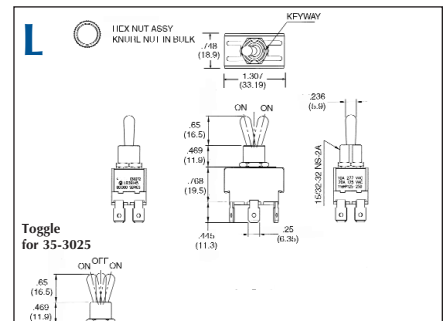
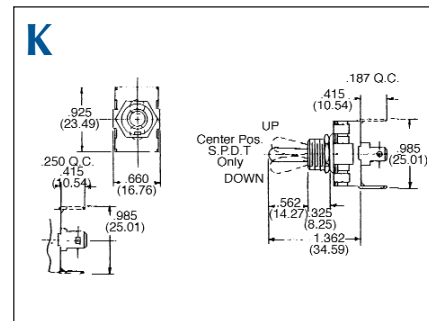
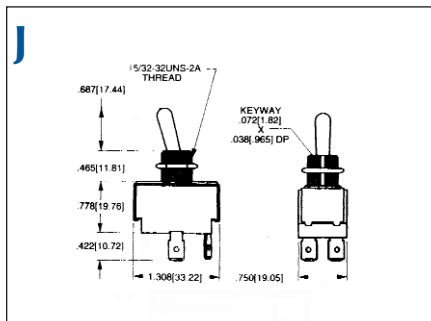
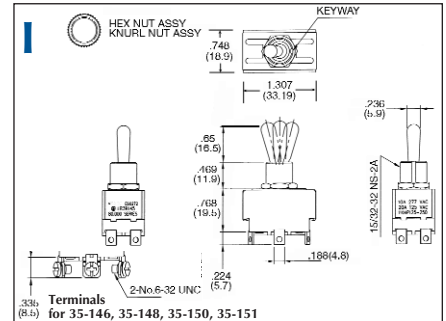
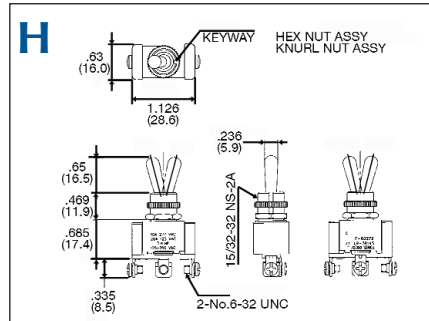
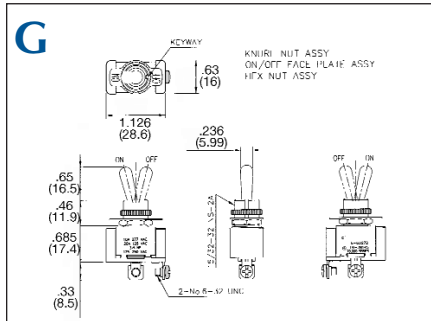
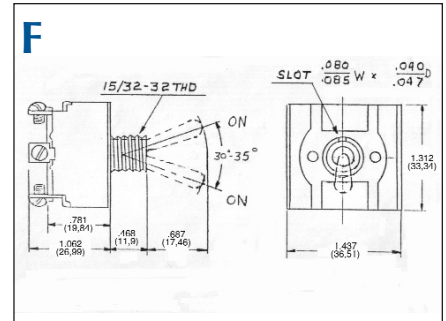
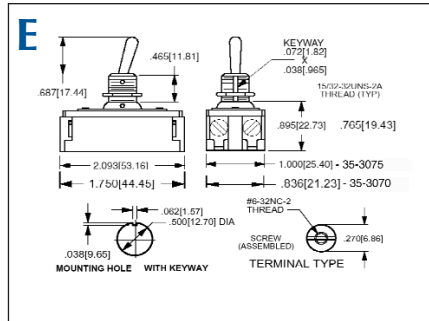
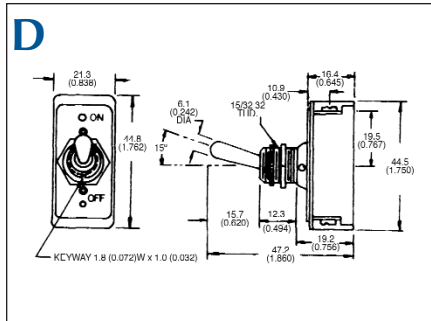
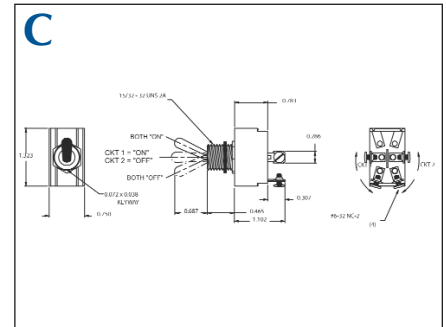
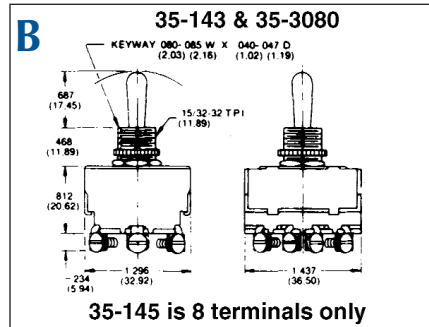
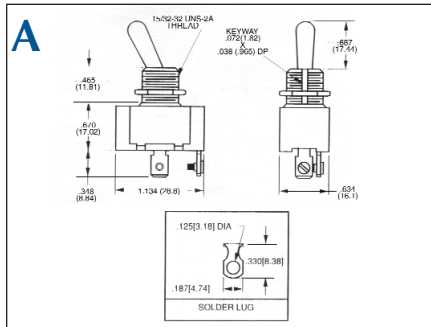
| Retail Part No. | Bulk Part No. | Fig. No. | Circuit Function | Poles/Throws | AMPS 125VAC | AMPS 250VAC | HP 125-250VAC | Actuator Style | Actuator Material | Bushing Length | Mounting Hole | Terminal Type | Hardware | Spec. Drawing Page No. |
|-----------------|---------------|----------|------------------|--------------|-------------|-------------|---------------|----------------|-------------------|----------------|---------------|---------------|---------------|------------------------|
| 35-078 | 35-078-BU | 1 | On Off | SPST | 15 | 10 | 3/4 | Bat | Metal | 0.465 | 0.500 | Solder | N, KN | 277-A |
| 35-143 | 35-143-BU | 2 | On Off On | 4PDT | 15 | 10 | 3/4 | Bat | Metal | 0.465 | 0.500 | Screw | N, FN, Sc | 277-B |
| 35-145 | 35-145-BU | 2 | On Off | 4PST | 15 | 10 | 3/4 | Bat | Metal | 0.465 | 0.500 | Screw | N, FN, Sc | 277-B |
| 35-3080 | 35-3080-BU | 2 | On On | 4PDT | 15 | 10 | 3/4 | Bat | Metal | 0.465 | 0.500 | Screw | N, FN, Sc | 277-B |
| 35-3135 | 35-3135-BU | 3 | ** 1On Off † | † | 15 | 10 | 1/2 | Bat | Brass | 0.468 | 0.500 | Screw | N, FN, Sc | 277-C |
| 35-126 | 35-126-BU | 4 | On Off | DPST | 16 | 8 | 1 | Bat | Metal | 0.465 | 0.500 | Screw | N, FN | 277-D |
| 35-3070 | 35-3070-BU | 4 | On Off | SPST | 16 | 8 | 1 | Bat | Metal | 0.465 | 0.500 | Screw | N, Sc | 277-E |
| 35-139 | 35-139-BU | 5 | On Off | 3PST | 17 | 12 | 1-1/2 | Bat | Metal | 0.465 | 0.500 | Screw | N, FN, Sc | 277-F |
| 35-140 | 35-140-BU | 5 | On Off On | 3PDT | 17 | 12 | 1-1/2 | Bat | Metal | 0.465 | 0.500 | Screw | N, FN, Sc | 277-F |
| 35-141 | 35-141-BU | 5 | On On | 3PDT | 17 | 12 | 1-1/2 | Bat | Metal | 0.465 | 0.500 | Screw | N, FN, Sc | 277-F |
| 35-080 | 35-080-BU | 6 | On Off | SPST | 20 | 10* | 3/4 | Bat | Metal | 0.470 | 0.500 | Screw | N, KN, Sc, ID | 277-G |
| 35-110 | 35-110-BU | 6 | On Off On | SPDT | 20 | 10* | 3/4 | Bat | Metal | 0.470 | 0.500 | Screw | N, KN, Sc | 277-H |
| 35-130 | 35-130-BU | 6 | On On | SPDT | 20 | 10* | 3/4 | Bat | Metal | 0.470 | 0.500 | Screw | N, KN, Sc | 277-H |
| 35-144 | 35-144-BU | 7 | On On | DPDT | 20 | 10* | 1-1/2 | Bat | Metal | 0.465 | 0.500 | Solder | N, KN | 277-I |
| 35-146 | 35-146-BU | 6 | On On | DPDT | 20 | 10* | 1-1/2 | Bat | Metal | 0.470 | 0.500 | Screw | N, KN, Sc | 277-I |
| 35-148 | 35-148-BU | 6 | On Off On | DPDT | 20 | 10* | 1-1/2 | Bat | Metal | 0.470 | 0.500 | Screw | N, KN, Sc | 277-I |
| 35-149 | 35-149-BU | 7 | On Off On | DPDT | 20 | 10 | 3/4 | Bat | Metal | 0.465 | 0.500 | Solder | N, KN | 277-I |
| 35-150 | 35-150-BU | 6 | (On) Off (On) | DPDT | 20 | 10* | 1-1/2 | Bat | Metal | 0.470 | 0.500 | Screw | N, KN, Sc | 277-I |
| 35-151 | 35-151-BU | 6 | On Off (On) | DPDT | 20 | 10* | 1-1/2 | Bat | Metal | 0.470 | 0.500 | Screw | N, KN, Sc | 277-I |
| 35-153 | 35-153-BU | 8 | On Off (On) | SPDT | 20 | 10* | 3/4 | Bat | Metal | 0.470 | 0.500 | Screw | N, KN, Sc | 277-H |
| 35-155 | 35-155-BU | 8 | (On) Off (On) | SPDT | 20 | 10* | 3/4 | Bat | Brass | 0.325 | 0.500 | Screw | N, KN, Sc | 277-H |
| 35-185 | 35-185-BU | 3 | On Off | DPST | 20 | 10* | 1-1/2 | Bat | Metal | 0.465 | 0.500 | QC .250" | N, KN | 277-J |
| 35-3005 | 35-3005-BU | 10 | On Off | SPST | 20 | 10 | 3/4 | Bat | Brass | 0.325 | 0.500 | QC .250" | N, KN | 277-K |
| 35-3010 | 35-3010-BU | 9 | On On | SPDT | 20 | 10 | 3/4 | Bat | Brass | 0.325 | 0.500 | QC .250" | N, KN | 277-K |
| 35-3015 | 35-3015-BU | 9 | On Off On | SPDT | 20 | 10 | 3/4 | Bat | Brass | 0.325 | 0.500 | QC .250" | N, KN | 277-K |
| 35-3020 | 35-3020-BU | 7 | On On | DPDT | 20 | 10* | 1-1/2 | Bat | Brass | 0.468 | 0.500 | QC .250" | N, KN | 277-L |
| 35-3025 | 35-3025-BU | 7 | On Off On | DPDT | 20 | 10* | 1-1/2 | Bat | Brass | 0.468 | 0.500 | QC .250" | N, KN | 277-L |
| 35-3045 | 35-3045-BU | 10 | On Off | DPST | 20 | 10 | 3/4 | Bat | Brass | 0.468 | 0.500 | QC .250" | N, KN | 277-M |
| 35-3055 | 35-3055-BU | 9 | Off (On) | SPST | 20 | 10 | 3/4 | Bat | Brass | 0.468 | 0.500 | QC .250" | N, KN | 277-K |
| 35-3056 | 35-3056-BU | 9 | On Off | SPST | 20 | 10 | 3/4 | Bat | Brass | 0.325 | 0.500 | Solder | N, KN | 277-K |
| 35-3060 | 35-3060-BU | 3 | On Off | DPST | 20 | 10* | 1-1/2 | Bat | Brass | 0.468 | 0.500 | Screw | N, KN, Sc | 277-N |
| 35-3075 | 35-3075-BU | 11 | On Off | DPST | 20 | 10 | 1-1/2 | Bat | Brass | 0.465 | 0.500 | Screw | N, Sc | 277-E |
| 35-3170 | 35-3170-BU | 12 | On Off | SPST | *** | *** | 1/2 | Bat | Brass | 0.500 | 0.438 | Screw | KN, Sc | 277-O |

Notes: (On)/(Off)=Momentary On/Off
 *Rated @ 277VAC
 **1&2 On
 ***Rated 20A @ 12VDC
 FN=Face Nut
 †=Progressive Two Circuit

ID=ID Plate
 KN=Knurled Nut
 N=Nut
 QC=Quick Connect
 Sc=Screw

Note: All figures are for illustration purpose only, and the number/type of terminals may vary.

HEAVY DUTY TOGGLES (Cont.)



Switches

LIGHTED TOGGLES



Fig. 1



Fig. 2



Fig. 3



Fig. 4

| Retail Part No. | Bulk Part No. | Figure No. | Circuit Function | Poles/Throws | AMPS 12 VDC | Actuator Style | Lamp Color | Terminal Type | Bushing Length | Mounting Hole | Hardware | Spec. Drawing Page/Part No. |
|-----------------|---------------|------------|------------------|--------------|-------------|----------------|-------------------|----------------|----------------|---------------|----------|-----------------------------|
| 35-3300 | 35-3300-BU | 1 | On Off | SPST | 20 | LED Tip | Lighted Red LED | QC .250" | 0.400" | 0.500" | KN | 279-A |
| 35-3301 | 35-3301-BU | 1 | On Off | SPST | 20 | LED Tip | Lighted Green LED | QC .250" | 0.400" | 0.500" | KN | 279-A |
| 35-3302 | 35-3302-BU | 1 | On Off | SPST | 20 | LED Tip | Lighted Amber LED | QC .250" | 0.400" | 0.500" | KN | 279-A |
| 35-3303 | 35-3303-BU | 1 | On Off | SPST | 20 | LED Tip | Lighted Blue LED | QC .250" | 0.400" | 0.500" | KN | 279-A |
| 35-3310 | 35-3310-BU | 2 | On Off | SPST | 20 | LED Duckbill | Lighted Red LED | QC .250" | 0.400" | 0.500" | KN | 279-B |
| 35-3311 | 35-3311-BU | 2 | On Off | SPST | 20 | LED Duckbill | Lighted Green LED | QC .250" | 0.400" | 0.500" | KN | 279-B |
| 35-3312 | 35-3312-BU | 2 | On Off | SPST | 20 | LED Duckbill | Lighted Amber LED | QC .250" | 0.400" | 0.500" | KN | 279-B |
| 35-3313 | 35-3313-BU | 2 | On Off | SPST | 20 | LED Duckbill | Lighted Blue LED | QC .250" | 0.400" | 0.500" | KN | 279-B |
| 35-3320 | 35-3320-BU | 3 | On Off | SPST | 20 | LED Paddle | Lighted Red LED | QC .250" | N/A | 0.944" | N/A | 279-C |
| 35-3321 | 35-3321-BU | 3 | On Off | SPST | 20 | LED Paddle | Lighted Green LED | QC .250" | N/A | 0.944" | N/A | 279-C |
| 35-3322 | 35-3322-BU | 3 | On Off | SPST | 20 | LED Paddle | Lighted Amber LED | QC .250" | N/A | 0.944" | N/A | 279-C |
| 35-3323 | 35-3323-BU | 3 | On Off | SPST | 20 | LED Paddle | Lighted Blue LED | QC .250" | N/A | 0.944" | N/A | 279-C |
| 35-3330 | 35-3330-BU | 4 | On Off | SPST | 20 | LED Tip | Lighted Red LED | QC.187"/Solder | N/A | 0.866" | N/A | 279-D |
| 35-3331 | 35-3331-BU | 4 | On Off | SPST | 20 | LED Tip | Lighted Green LED | QC.187"/Solder | N/A | 0.866" | N/A | 279-D |
| 35-3332 | 35-3332-BU | 4 | On Off | SPST | 20 | LED Tip | Lighted Amber LED | QC.187"/Solder | N/A | 0.866" | N/A | 279-D |
| 35-3333 | 35-3333-BU | 4 | On Off | SPST | 20 | LED Tip | Lighted Blue LED | QC.187"/Solder | N/A | 0.866" | N/A | 279-D |

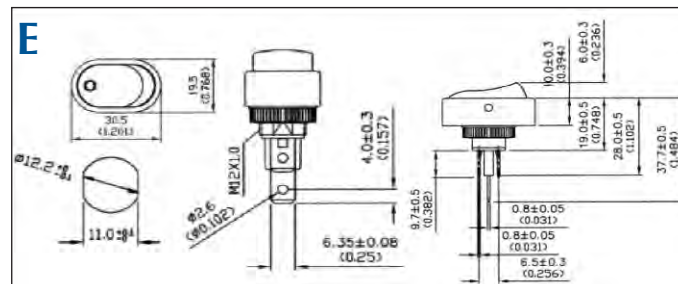
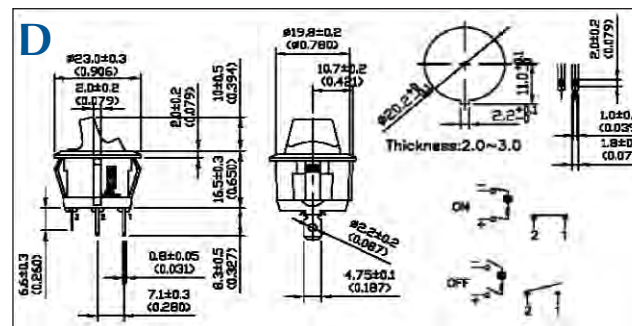
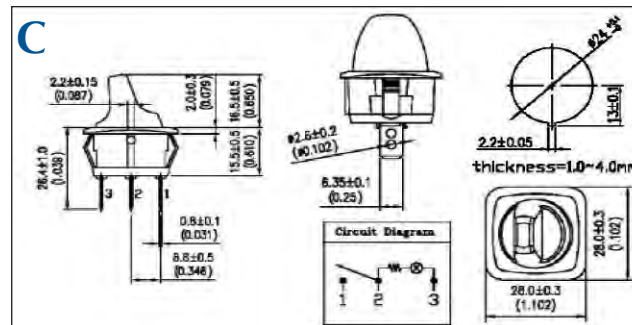
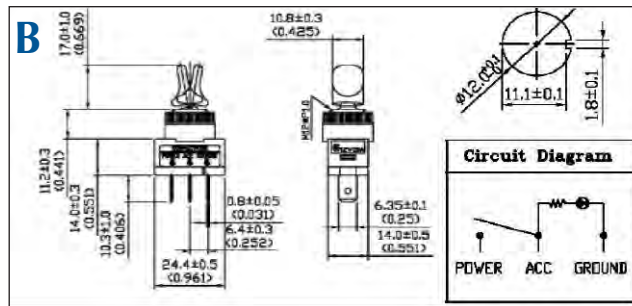
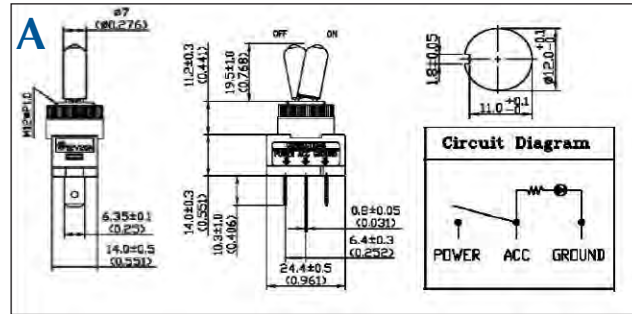
Note: All figures are for illustration purpose only, and the number/type of terminals may vary
 QC=Quick Connect
 KN=Knurled Nut



Fig. 5

| Retail Part No. | Bulk Part No. | Figure No. | Circuit Function | Poles/Throws | AMPS 12 VDC | Actuator Style | Lamp Color | Terminal Type | Bushing Length | Mounting Hole | Hardware | Spec. Drawing Page/Part No. |
|-----------------|---------------|------------|------------------|--------------|-------------|-----------------|-------------------|---------------|----------------|---------------|----------|-----------------------------|
| 35-3370 | 35-3370-BU | 5 | On Off | SPST | 30 | LED Oval Rocker | Lighted Red LED | QC .250" | 0.350" | 0.500" | KN | 279-E |
| 35-3371 | 35-3371-BU | 5 | On Off | SPST | 30 | LED Oval Rocker | Lighted Green LED | QC .250" | 0.350" | 0.500" | KN | 279-E |
| 35-3372 | 35-3372-BU | 5 | On Off | SPST | 30 | LED Oval Rocker | Lighted Amber LED | QC .250" | 0.350" | 0.500" | KN | 279-E |
| 35-3373 | 35-3373-BU | 5 | On Off | SPST | 30 | LED Oval Rocker | Lighted Blue LED | QC .250" | 0.350" | 0.500" | KN | 279-E |

Note: All figures are for illustration purpose only, and the number/type of terminals may vary
 QC=Quick Connect
 KN=Knurled Nut



Switches

X-ON Electronics

Largest Supplier of Electrical and Electronic Components

Click to view similar products for [Toggle Switches](#) category:

Click to view products by [GC Electronics](#) manufacturer:

Other Similar products are found below :

[8928K478](#) [8951K2998](#) [8951K3310](#) [8956K1283](#) [8956K1285](#) [8956K1286](#) [8956K1287](#) [8961K155](#) [8A1-C-222](#) [020017-13](#) [0090-0001](#) [0121-0015](#) [CS115W](#) [CS120W](#) [CS215I](#) [CS8275](#) [637H/25](#) [7101SPDV30BE](#) [7103SDV30BE](#) [7105D](#) [7108P3YAV2BE](#) [71YY50282](#) [7209SY9AQE](#) [7209SYCBE](#) [7301K38](#) [7301SS24484](#) [7303KZQE](#) [7306K36](#) [7503K21](#) [7565K6](#) [7595K6](#) [7660K12](#) [7691K14](#) [7704K3](#) [8391K108](#) [8811K17](#) [8825K5](#) [8828K13](#) [8835K3](#) [8858K44](#) [8E4011](#) [1202W](#) [A201SCWZB04](#) [A207SYCB04](#) [A208J61ZQ0004](#) [A221T1TCQ](#) [A232M1YCQ](#) [A323S1CWZQ](#) [1201W](#) [1203W](#)